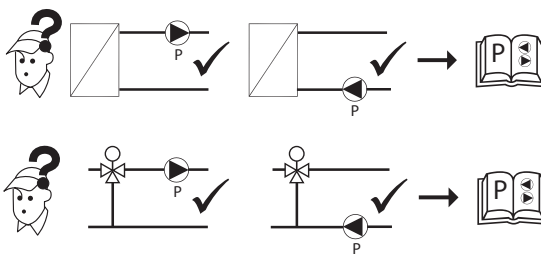
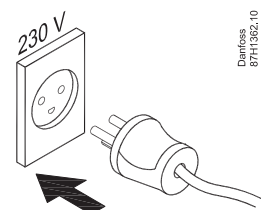
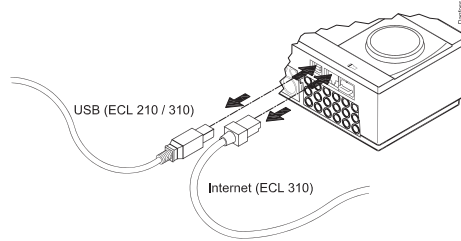
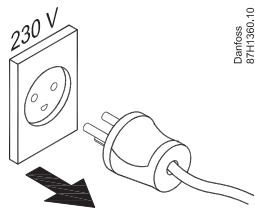
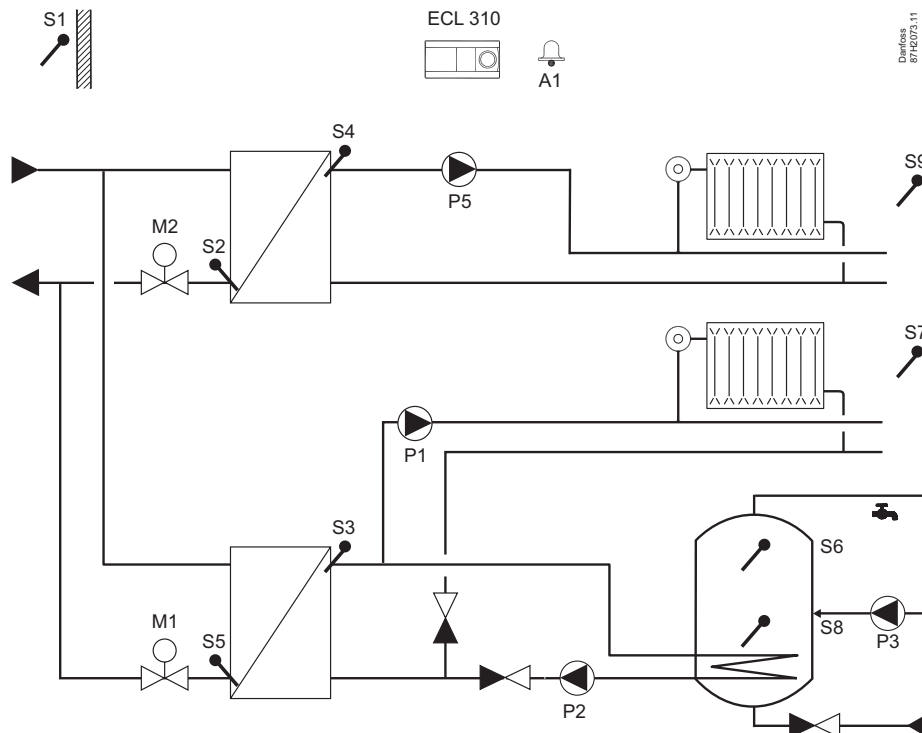


Installation Guide

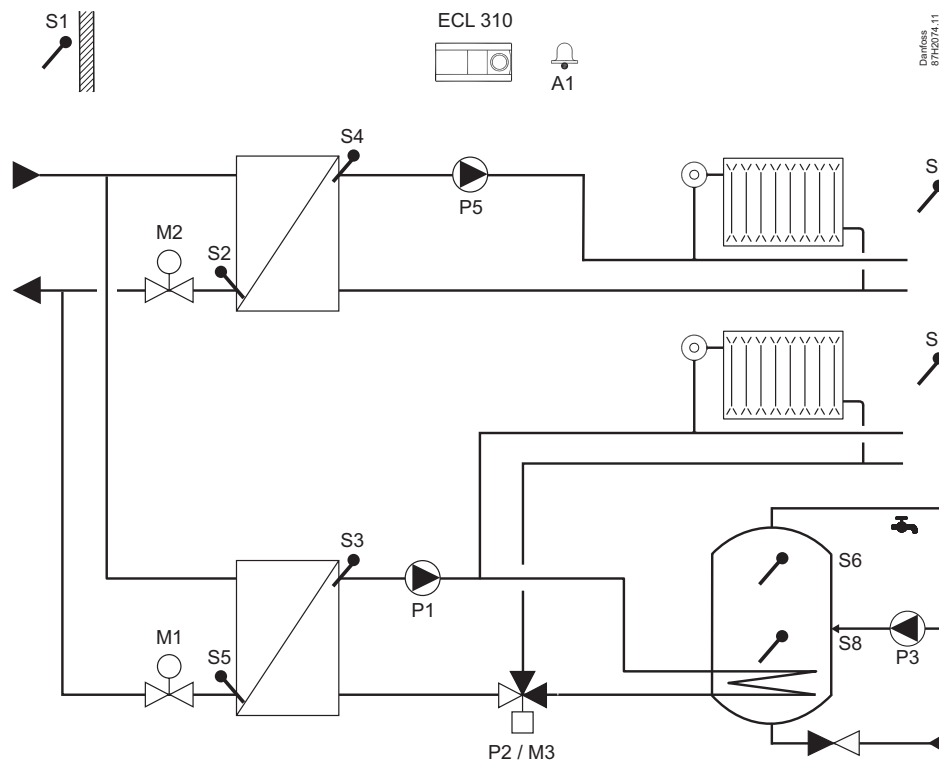
# ECL Comfort 310, A367 (code no. 087H3813)



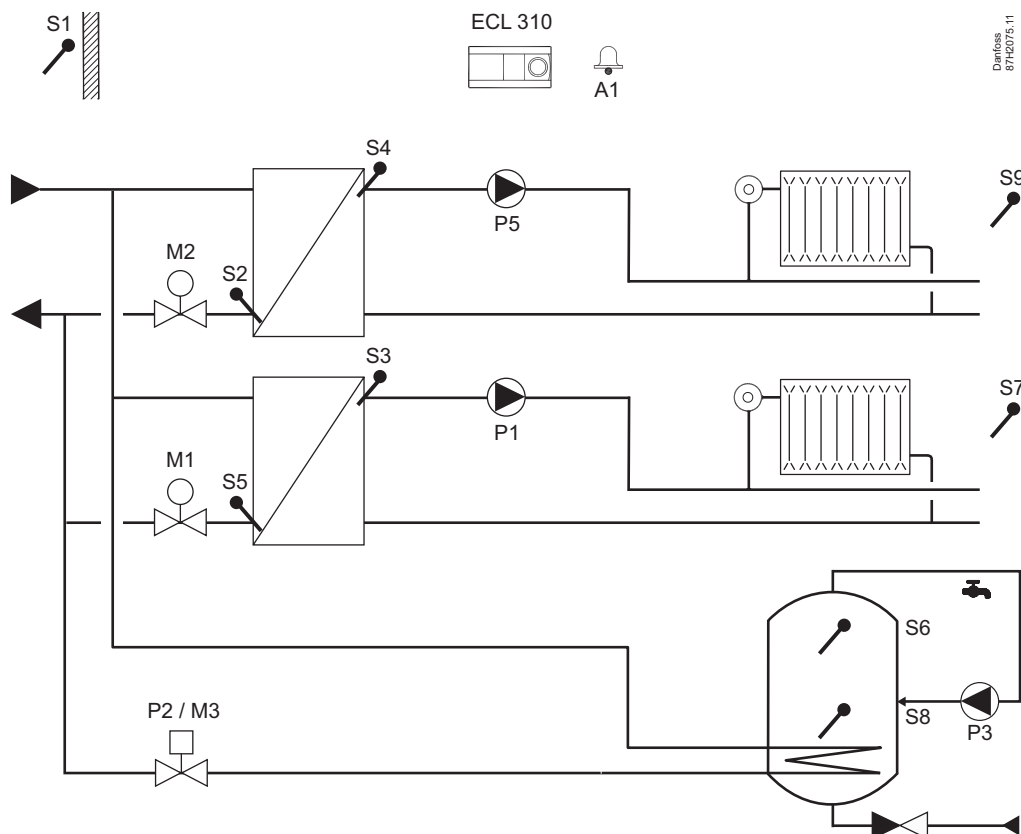
A367.1 (ex. a):



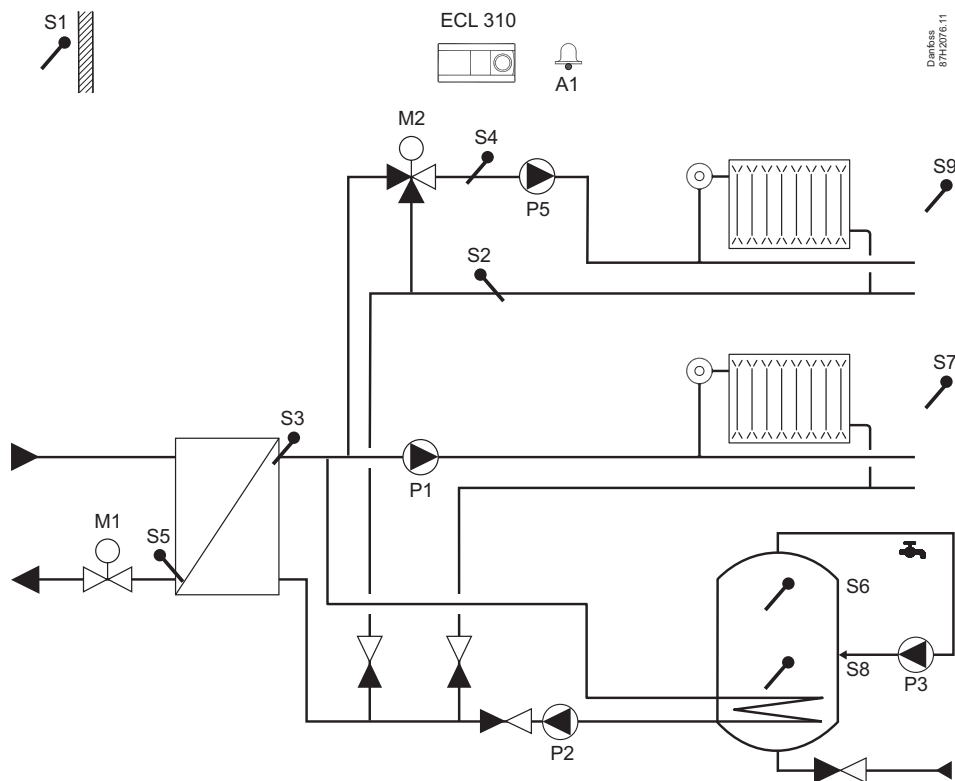
A367.1 (ex. b):



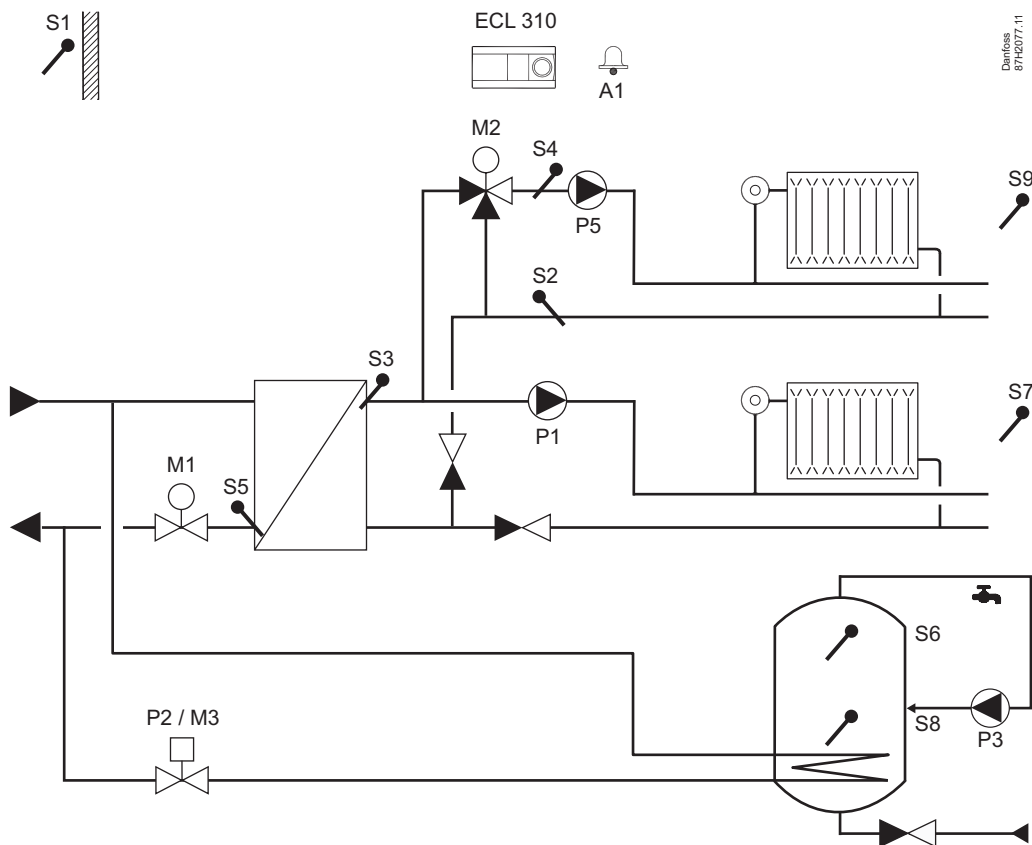
A367.1 (ex. c):



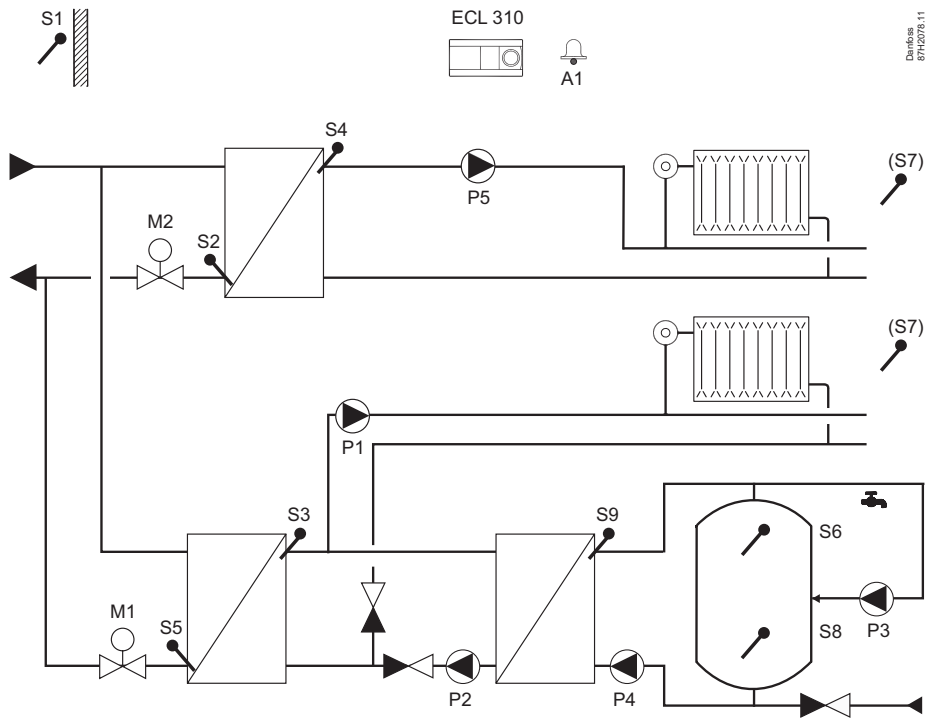
A367.1 (ex. d):



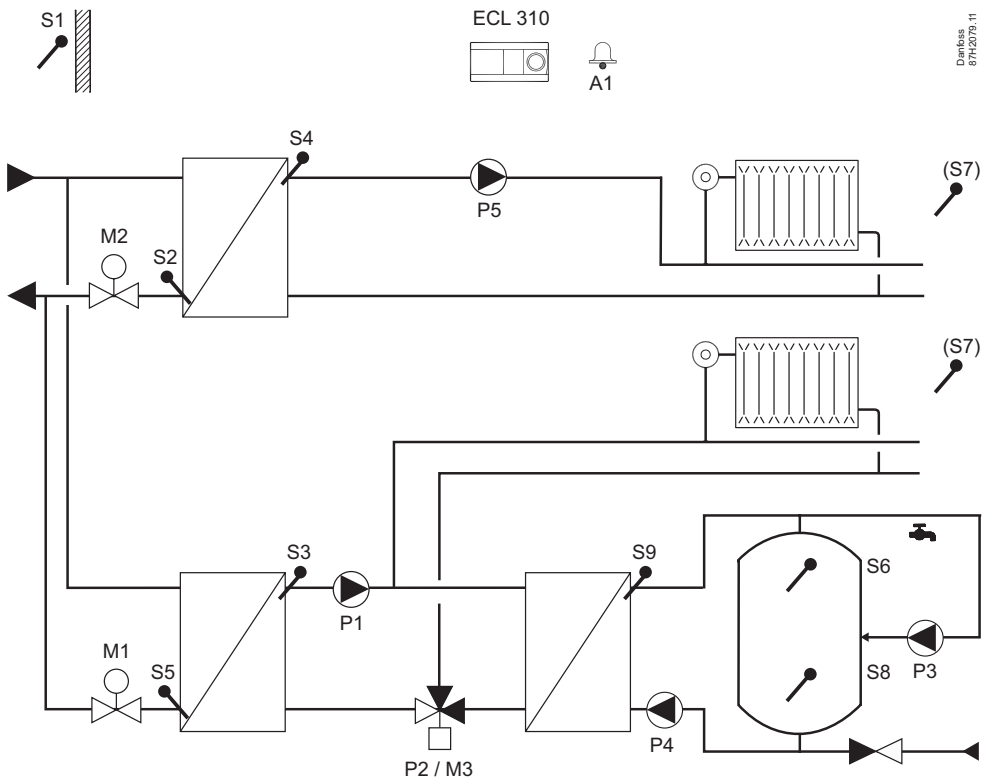
A367.1 (ex. e):



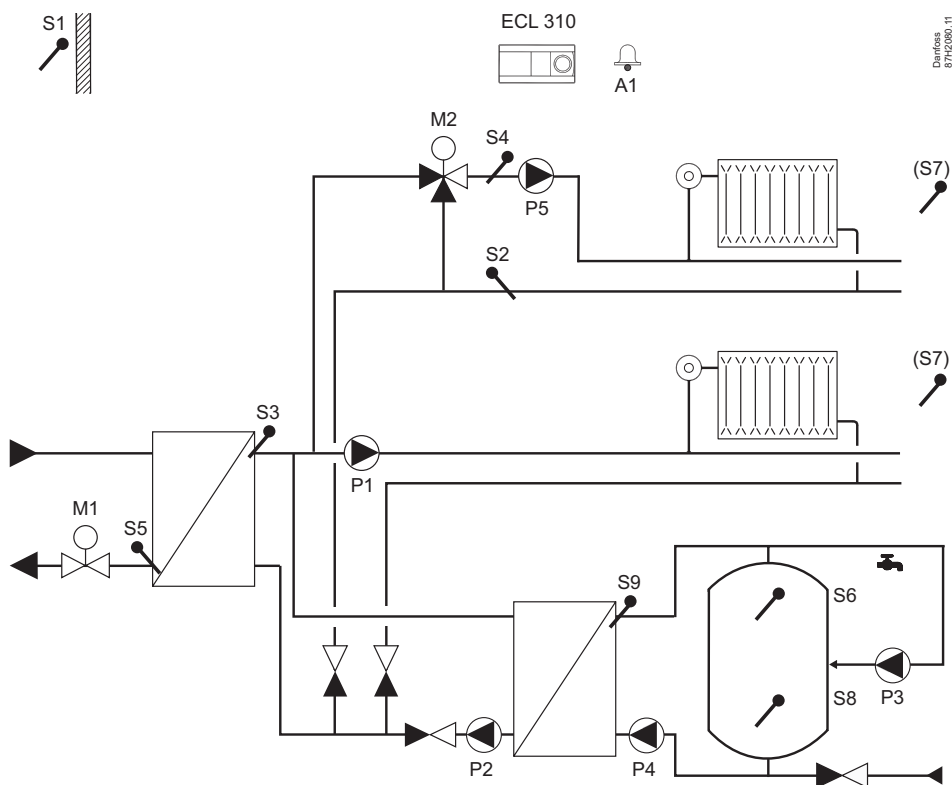
A367.2 (ex. a):



A367.2 (ex. b):

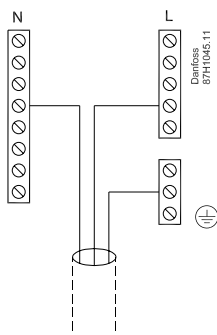


A367.2 (ex. c):



ECL Comfort 310:  
230 V a.c.

R		4 (2) A / 230 V a.c.
R		
Tr		0,2 A / 230 V a.c.

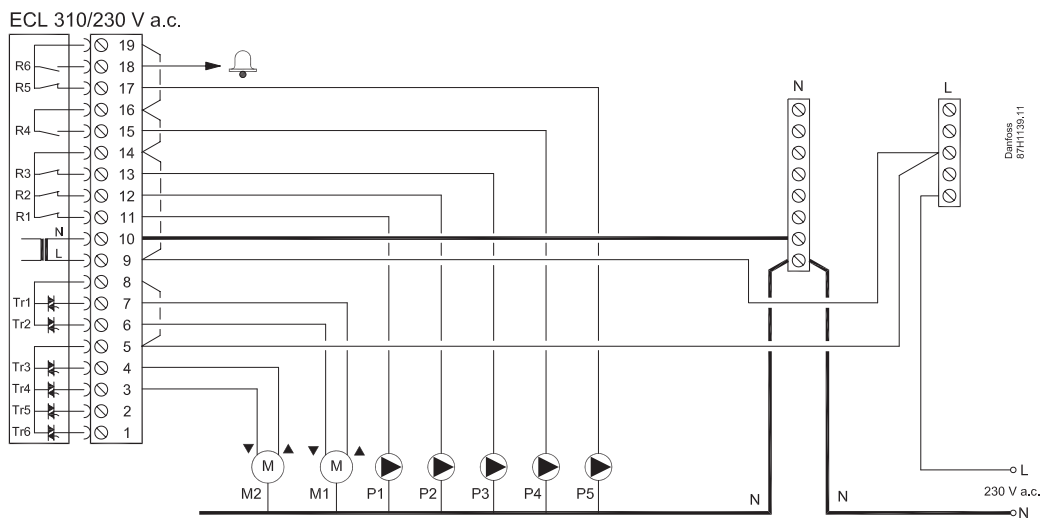


## Installation Guide, ECL Comfort 310, A367

### 230 V a.c.

A367.1 ex. a - A367.1 ex. d: ÷P4

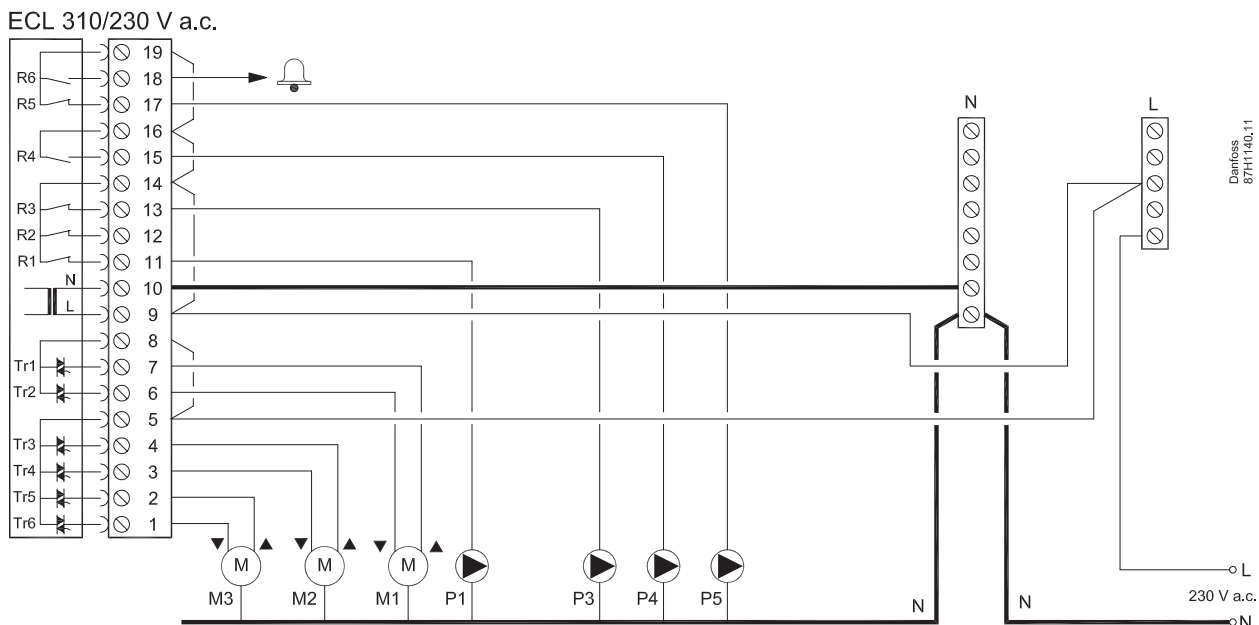
A367.2 ex. a - A367.2 ex. c: +P4



### 230 V a.c.

A367.1 ex. b - A367.1 ex. c - A367.1 ex. e: ÷P4

A367.2 ex. b: +P4



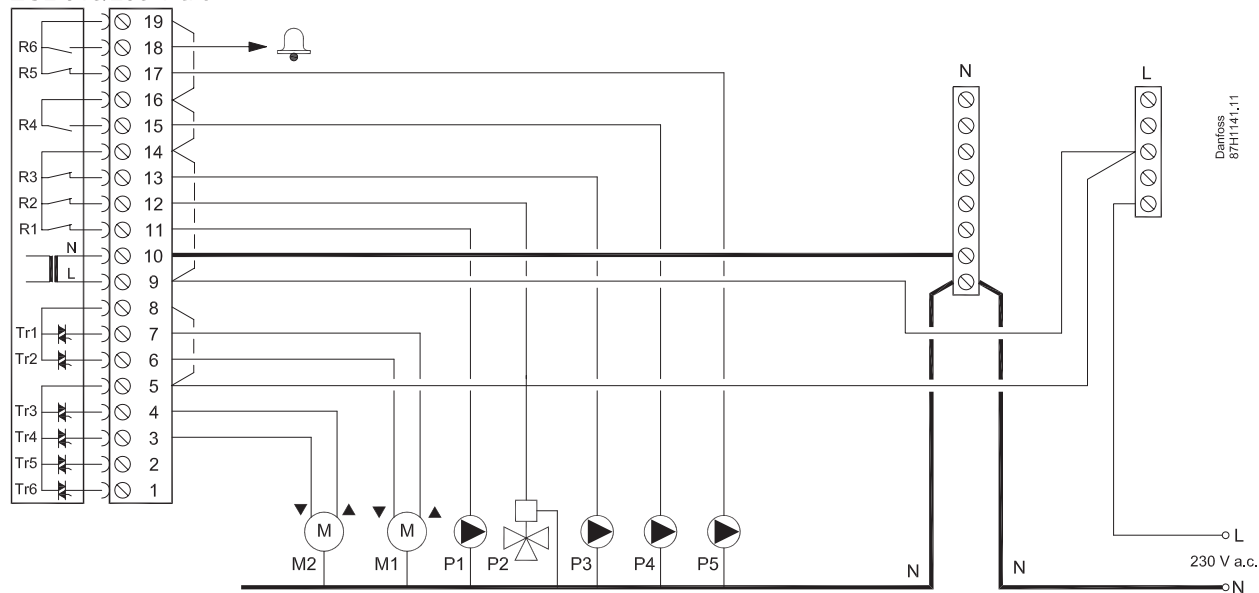
# Installation Guide, ECL Comfort 310, A367

## 230 V a.c.

A367.1 ex. b: ±P4

A367.2 ex. b: +P4

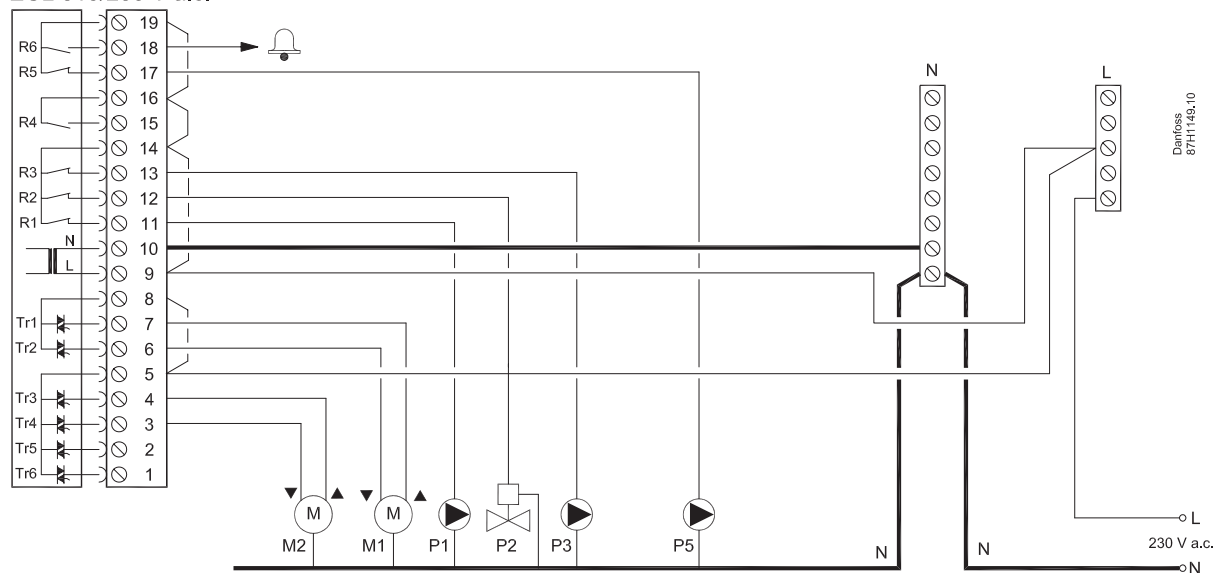
ECL 310/230 V a.c.



## 230 V a.c.

A367.1 ex. c - A367.1 ex. e

ECL 310/230 V a.c.



**ECL Comfort 310:**

**24 V a.c.**

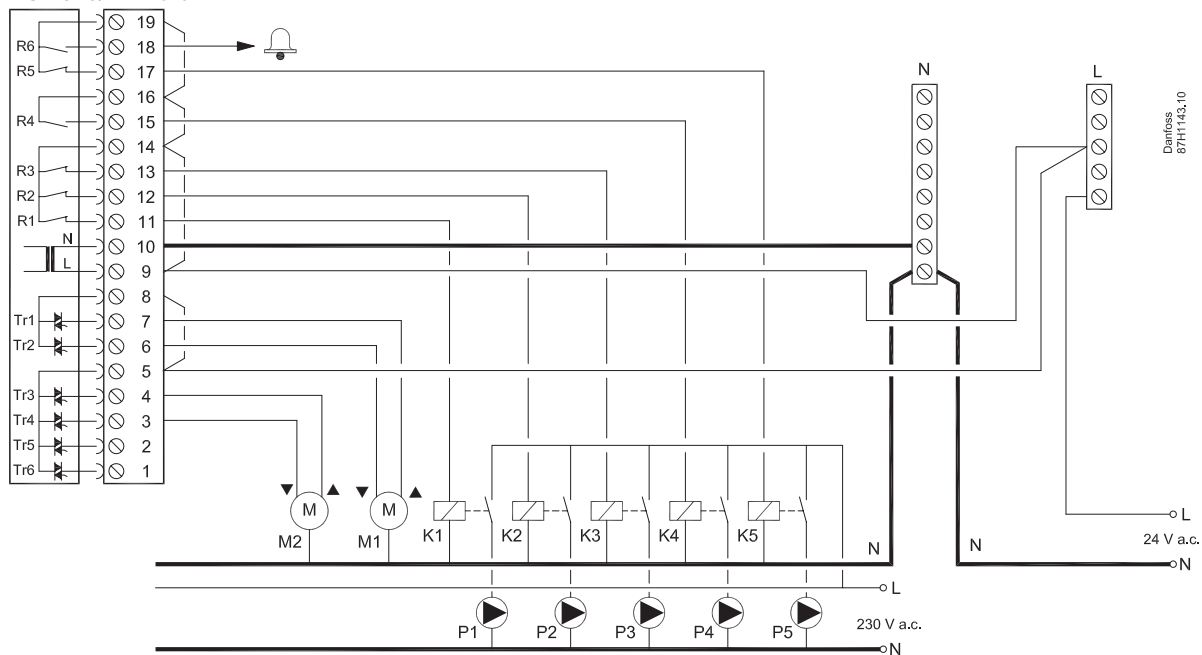
R		4 (2) A / 24 V a.c.
R		
Tr		1 A / 24 V a.c.

**24 V a.c.**

A367.1 ex. a - A367.1 ex. d: ÷P4

A367.2 ex. a - A367.2 ex. c: +P4

ECL 310/24 V a.c.



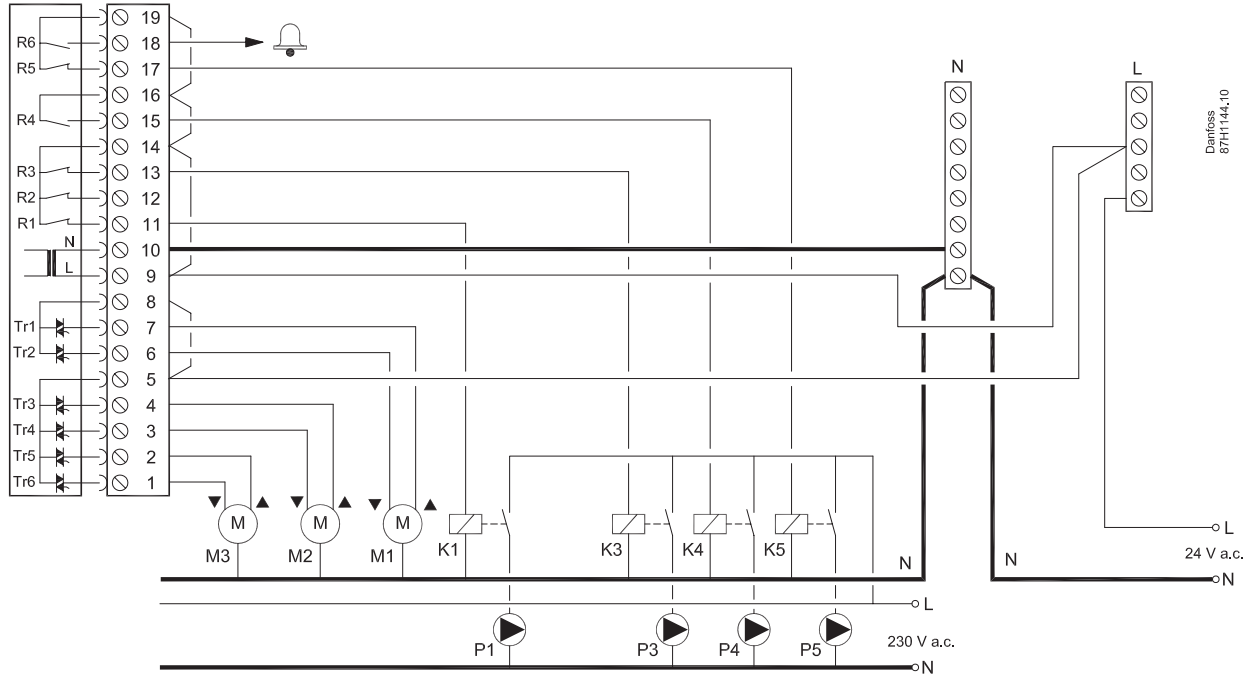


Installation Guide, ECL Comfort 310, A367

**24 V a.c.**

A367.1 ex. b - A367.1 ex. c - A367.1 ex. e: ±P4  
 A367.2 ex. b: +P4

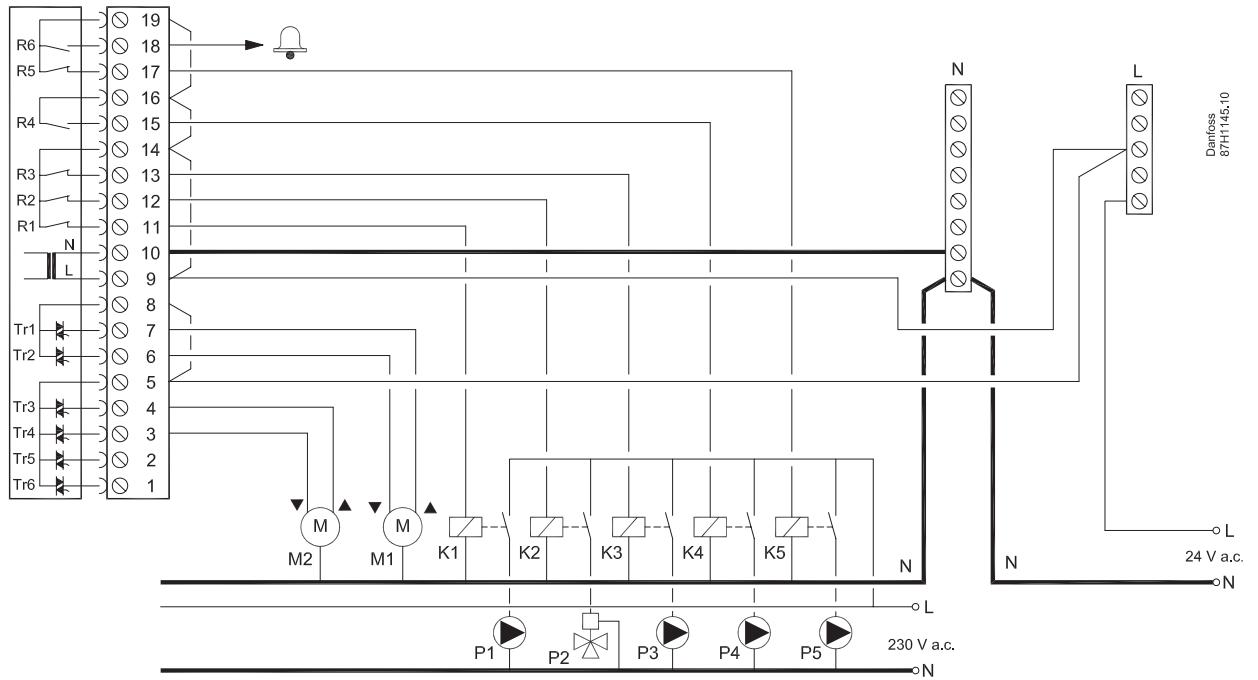
ECL 310/24 V a.c.



**24 V a.c.**

A367.1 ex. b: ±P4  
 A367.2 ex. b: +P4

ECL 310/24 V a.c.

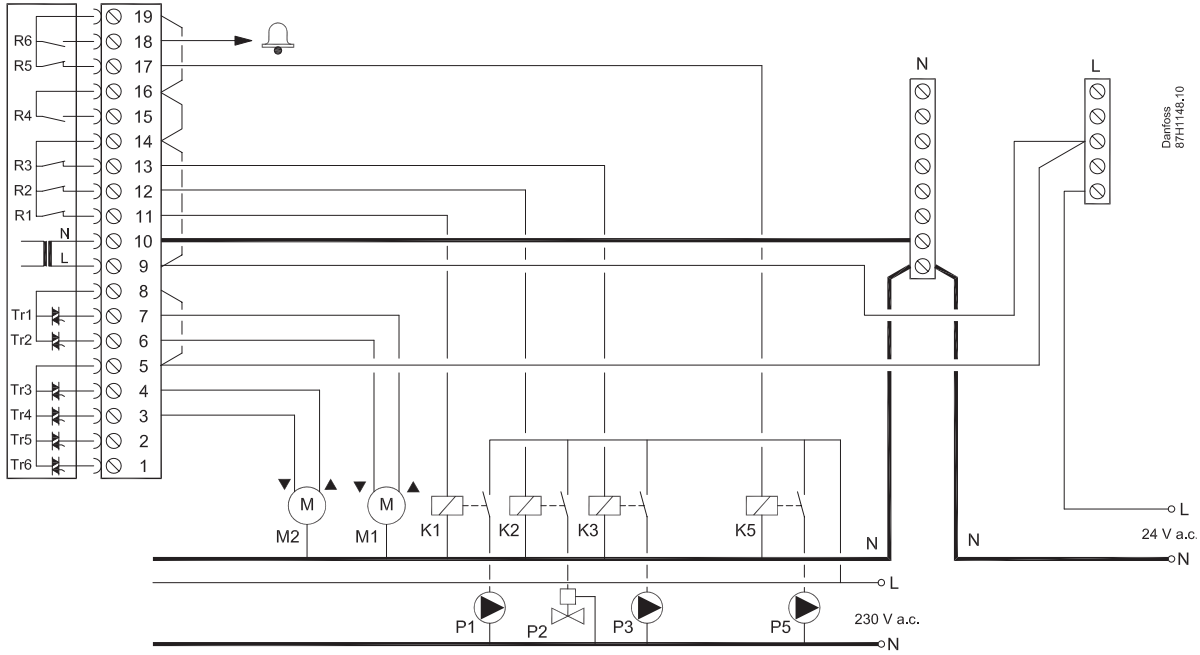


# Installation Guide, ECL Comfort 310, A367

## 24 V a.c.

A367.1 ex. c - A367.1 ex. e

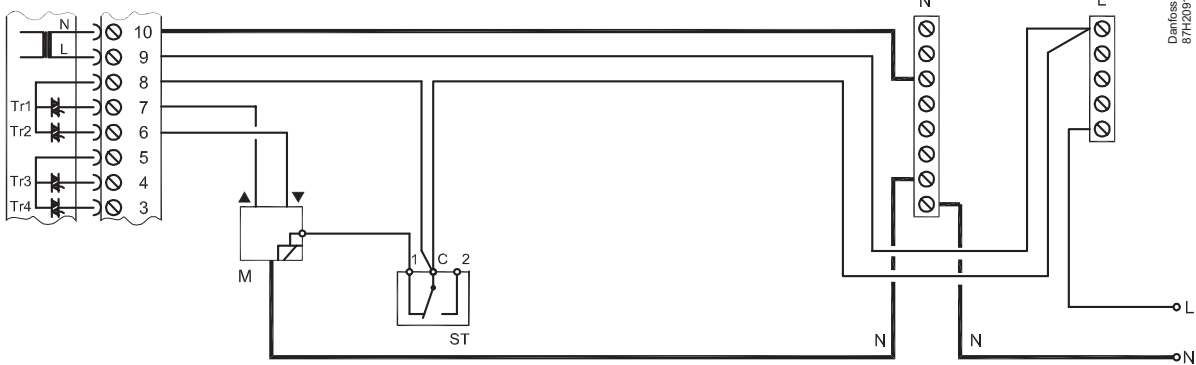
ECL 310/24 V a.c.



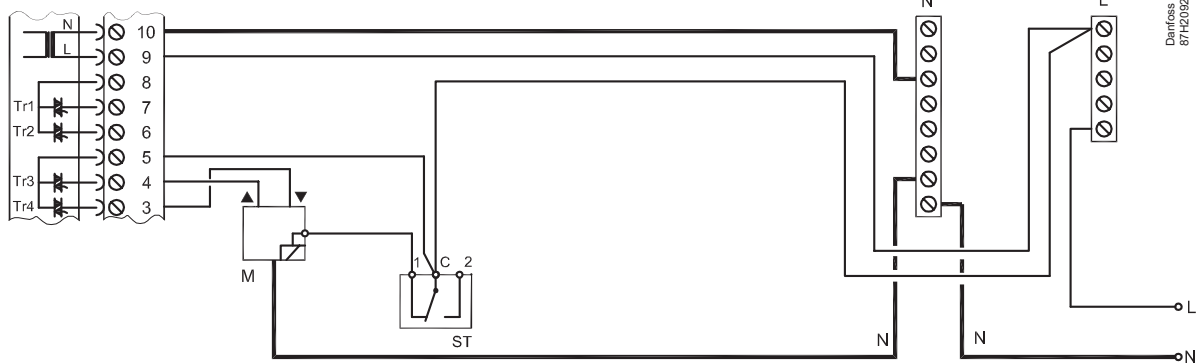
## 24 V a.c. / 230 V a.c. safety thermostat

1-step closing

ECL 310



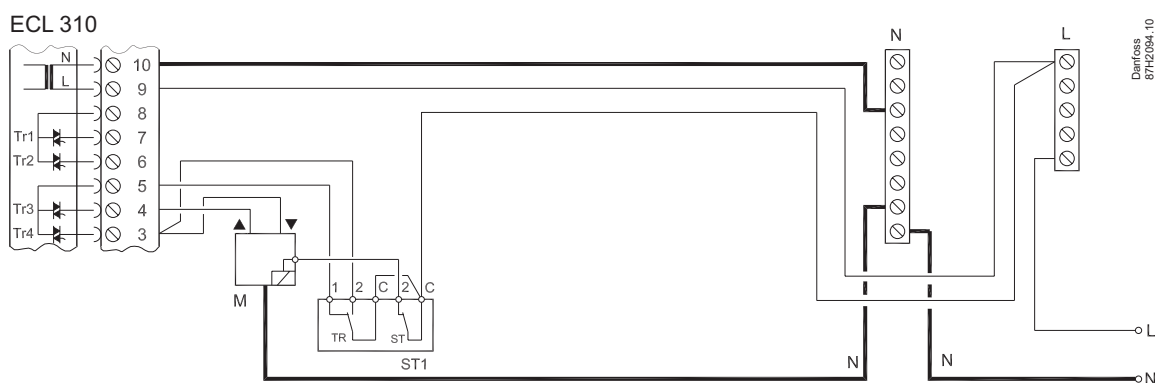
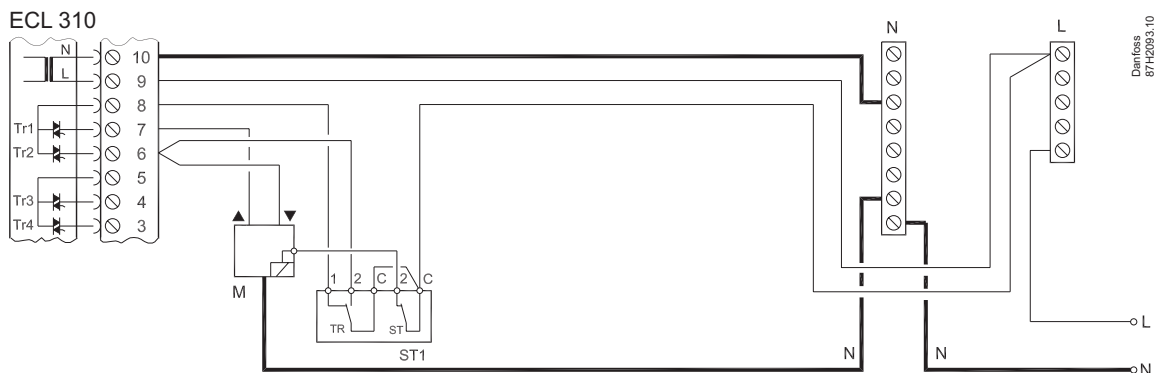
ECL 310



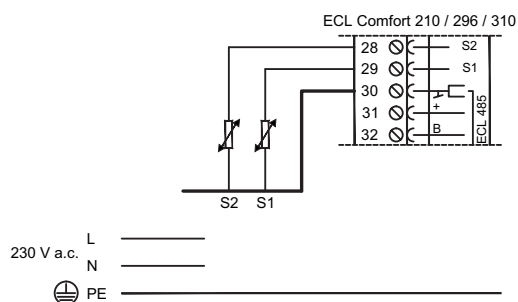
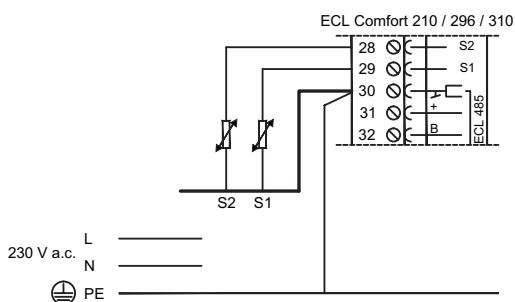
# Installation Guide, ECL Comfort 310, A367

## 24 V a.c. / 230 V a.c. safety thermostat

2-step closing

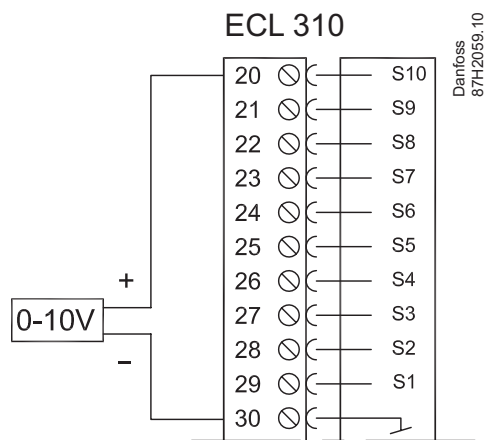
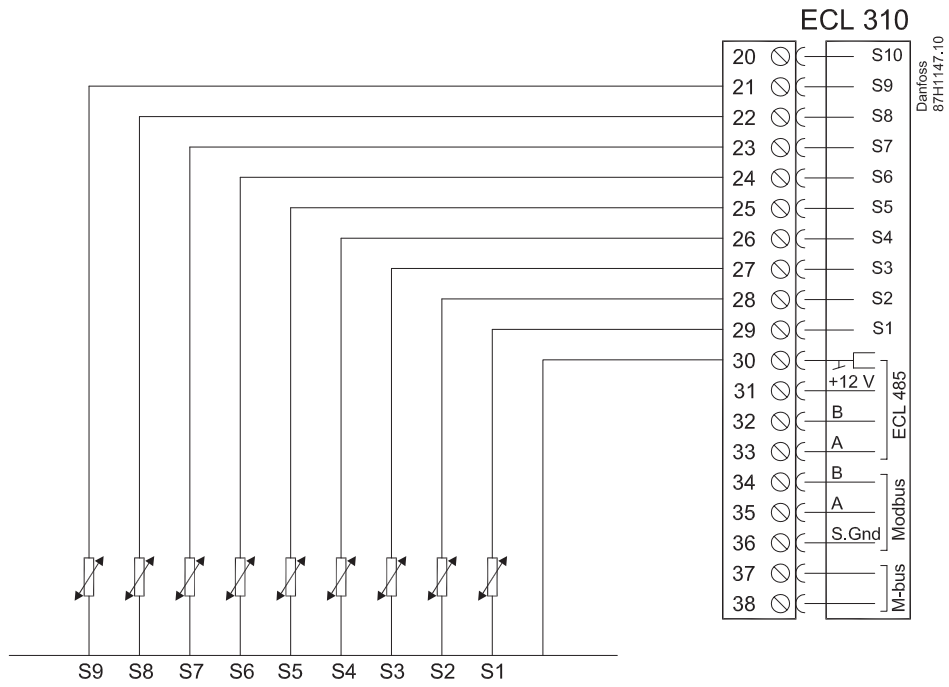


## Pt 1000 (1000 Ω / 0 °C)

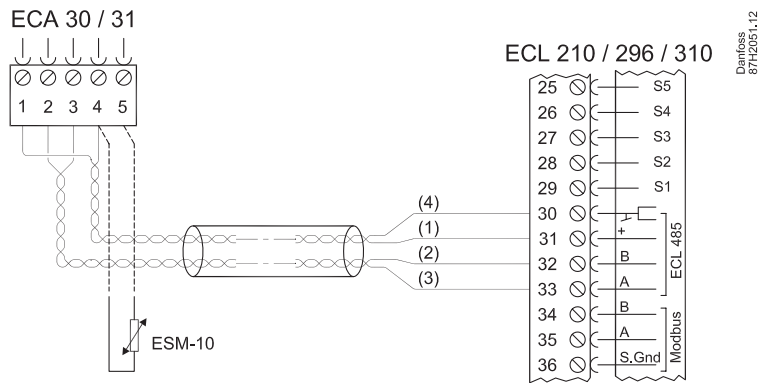


Danfoss  
87H1487.11

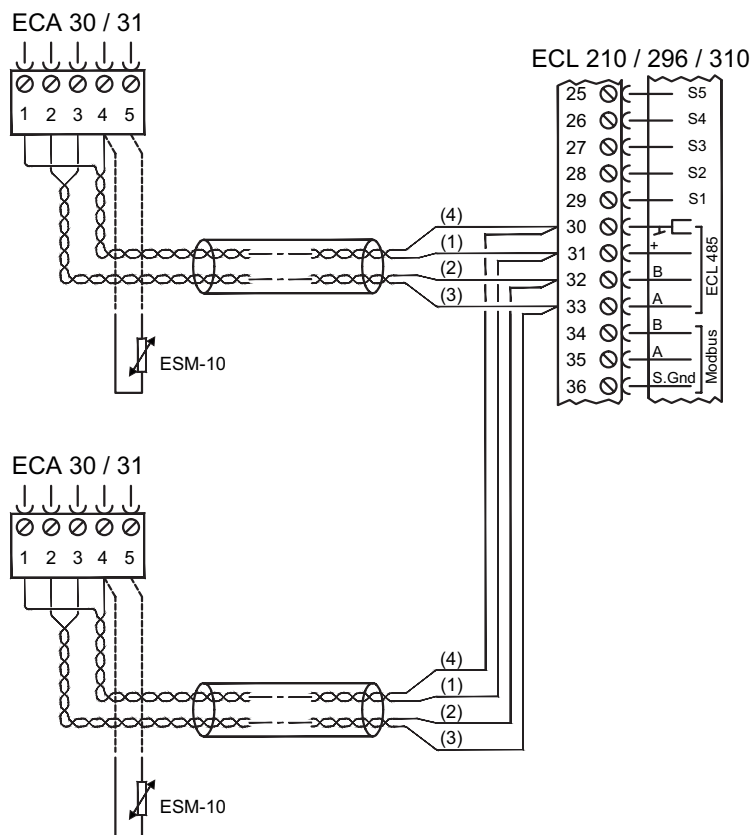
Pt 1000 (1000 Ω / 0 °C)



ECA 30 / 31

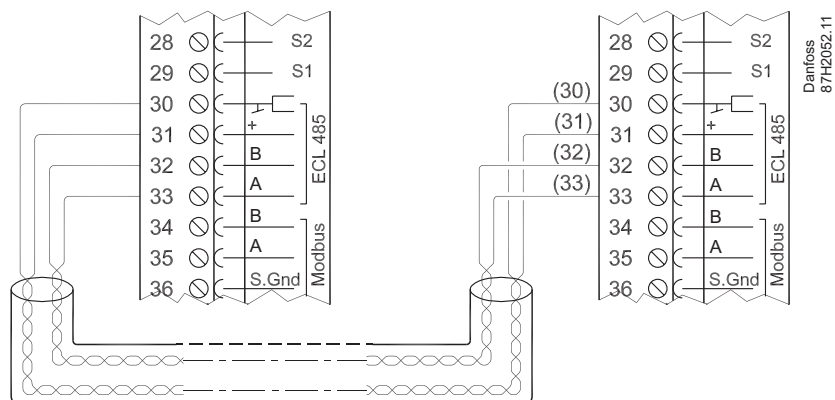


Danfoss  
87H205.12



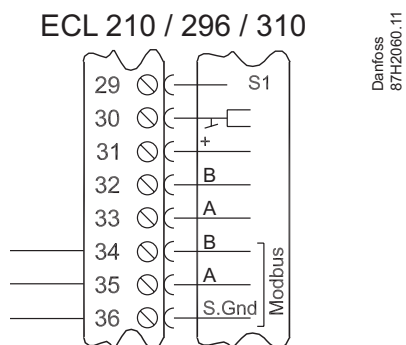
Danfoss  
87H1254.12

Master / slave

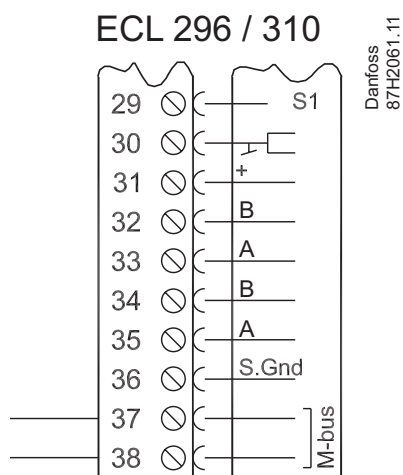


Danfoss  
87H2052.11

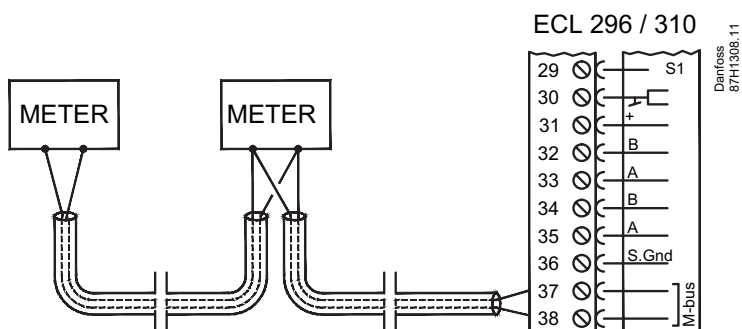
**Modbus**



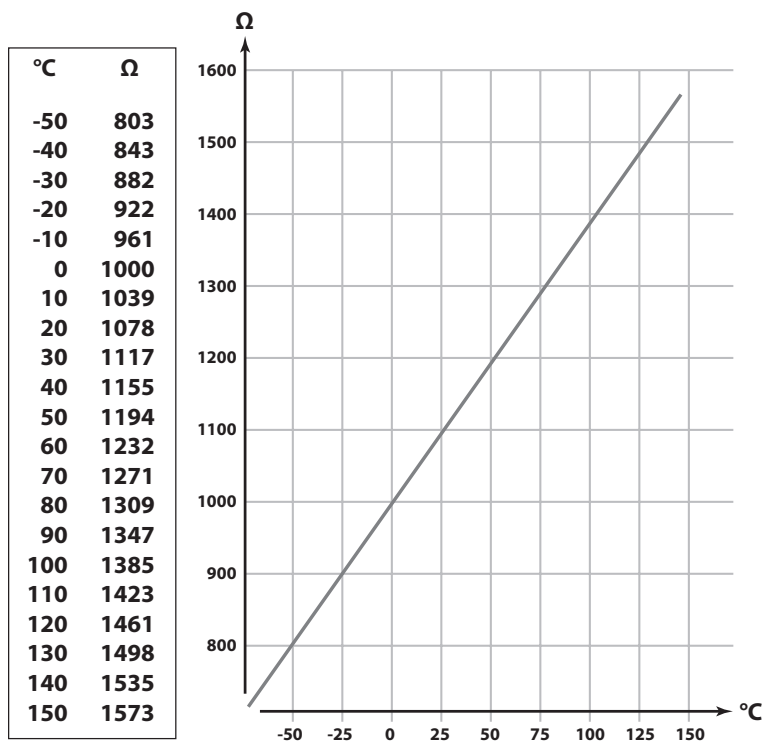
**M-bus**



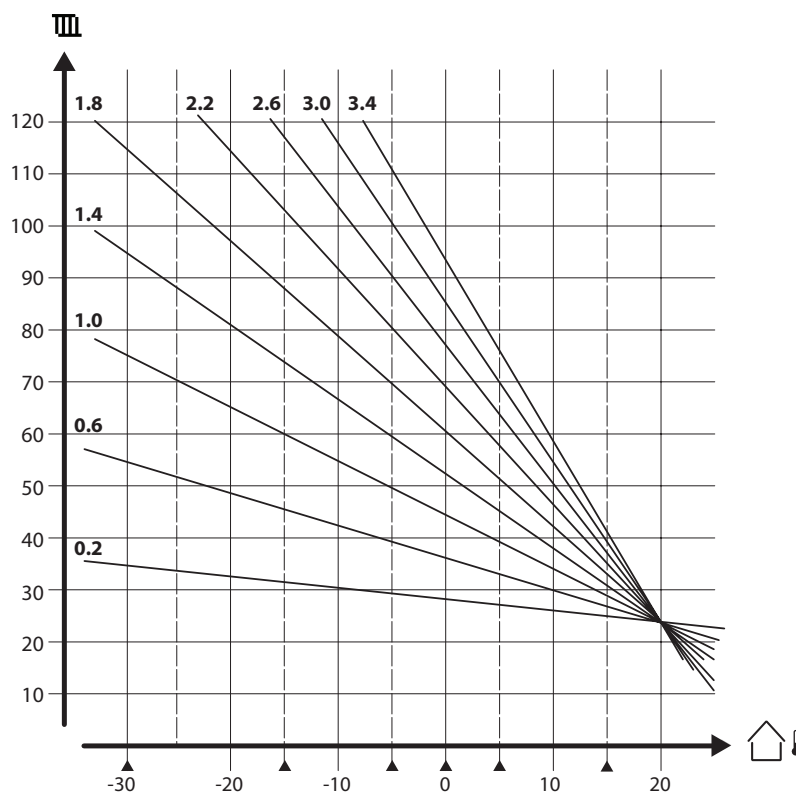
**M-bus**



Pt 1000 (IEC 751B, 1000 Ω / 0 °C)

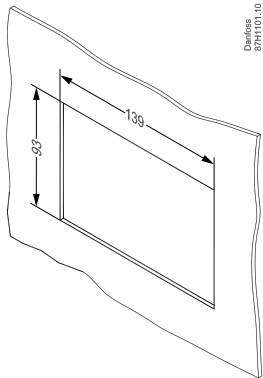


Heat curves

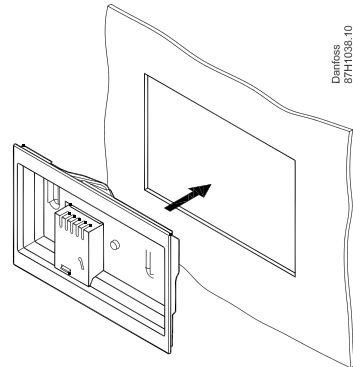


ECA 30

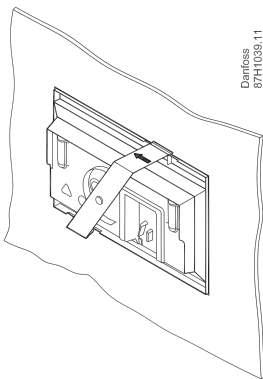
1



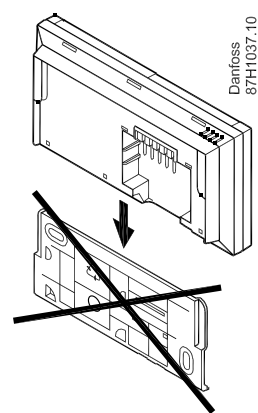
2



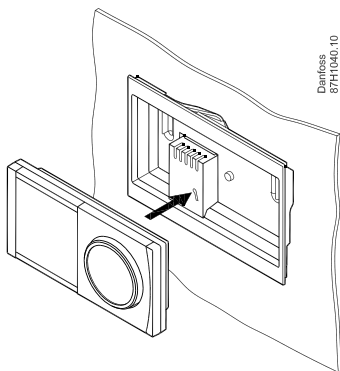
3



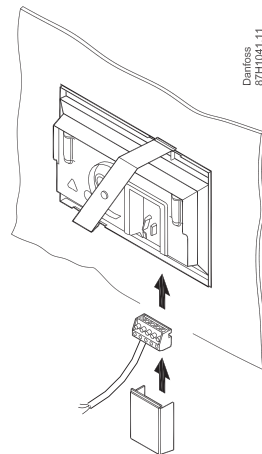
4



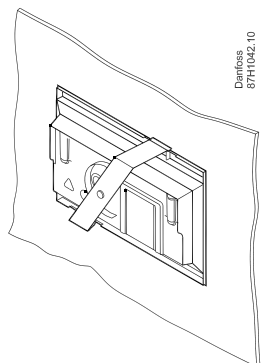
5



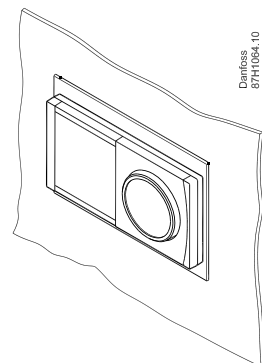
6



7



8



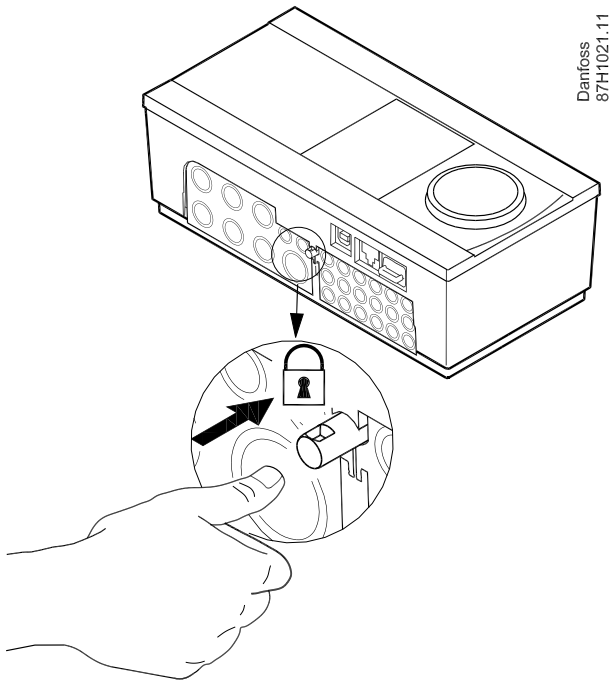




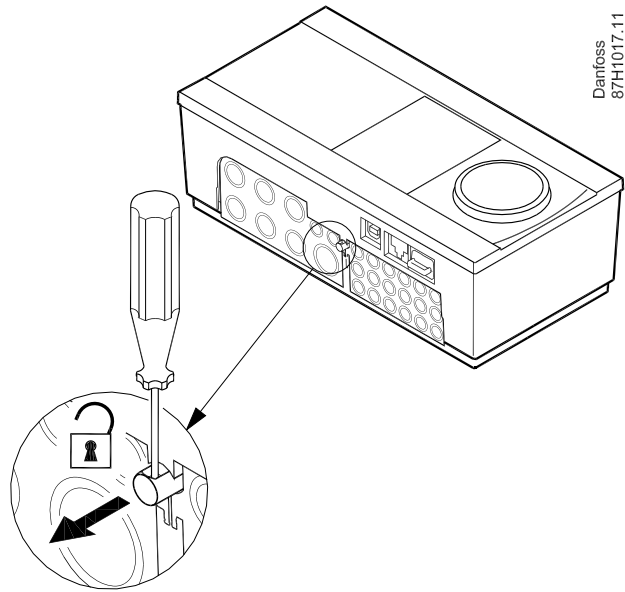




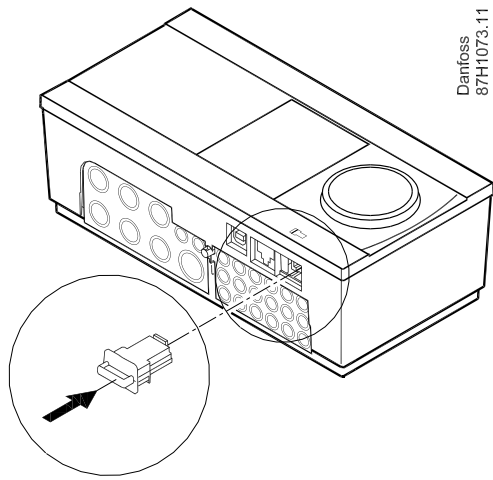
Installation Guide, ECL Comfort 310, A367



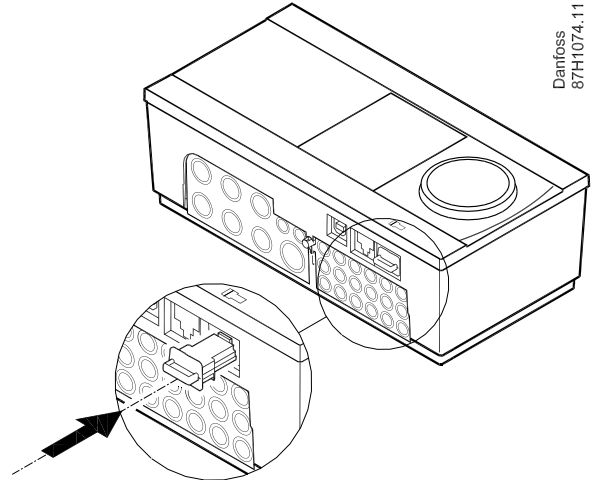
Danfoss  
87H1021.11



Danfoss  
87H1017.11



Danfoss  
87H1073.11



Danfoss  
87H1074.11

? **ECL Comfort 310, A367: [www.heating.danfoss.com](http://www.heating.danfoss.com)**



**Danfoss A/S**  
Heating Segment • [heating.danfoss.com](http://heating.danfoss.com) • +45 7488 2222 • E-Mail: [heating@danfoss.com](mailto:heating@danfoss.com)

Danfoss can accept no responsibility for possible errors in catalogues, brochures and other printed material. Danfoss reserves the right to alter its products without notice. This also applies to products already on order provided that such alterations can be made without subsequential changes being necessary in specifications already agreed. All trademarks in this material are property of the respective companies. Danfoss and all Danfoss logotypes are trademarks of Danfoss A/S. All rights reserved.