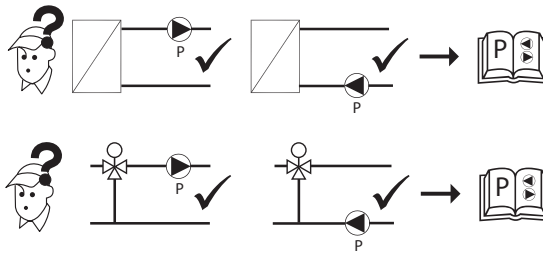
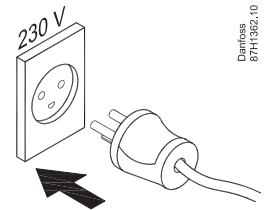
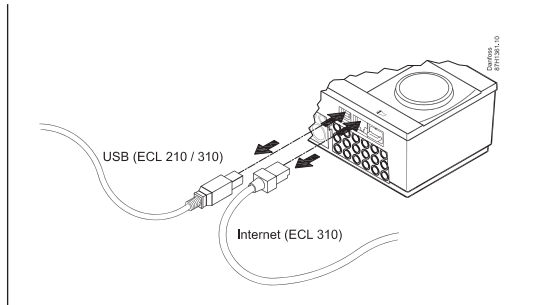
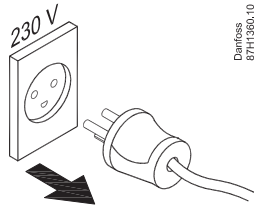
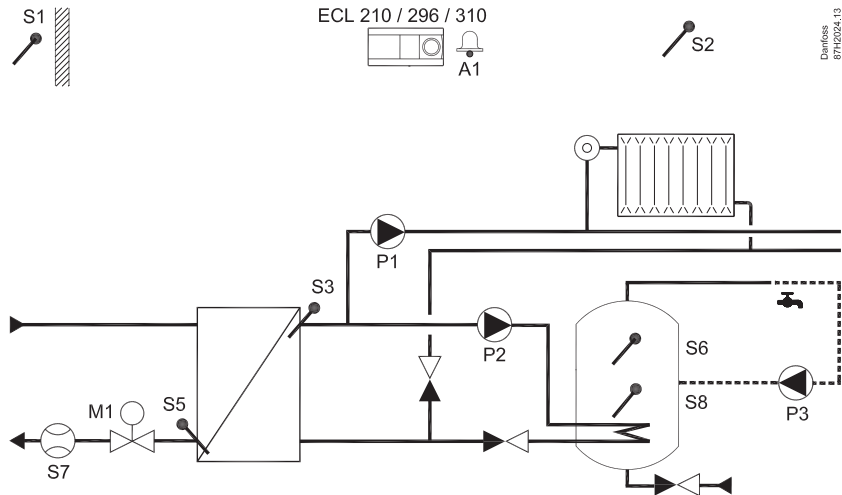


Installation Guide

# ECL Comfort 210 / 296 / 310, A237 / A337 (code no. 087H3806, 087H3821)

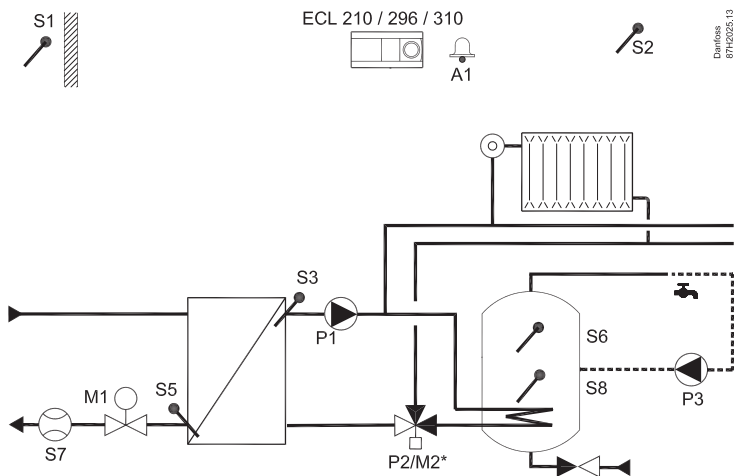


**A237.1, ex. a / A337.1, ex. a:**



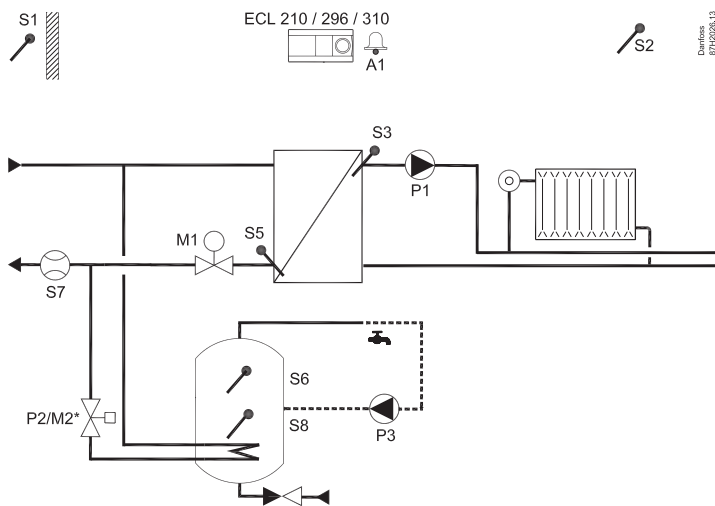
**ECL 210 / 310 = ECL 210 / 296 / 310**

A237.1, ex. b / A337.1, ex. b:



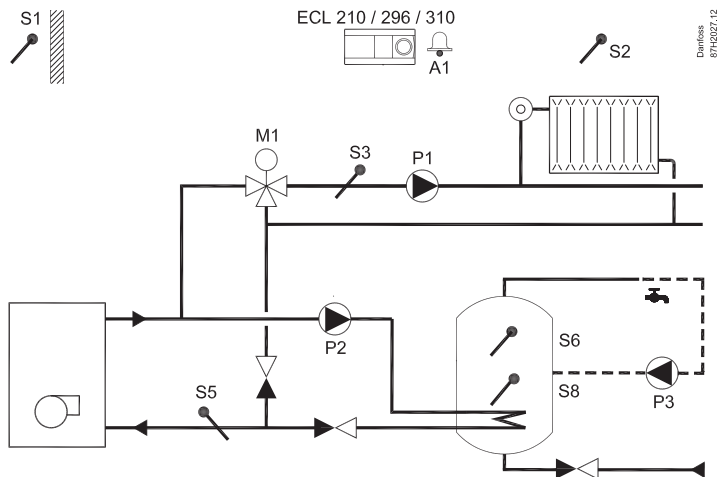
ECL 210 / 310 = ECL 210 / 296 / 310

A237.1, ex. c / A337.1, ex. c:



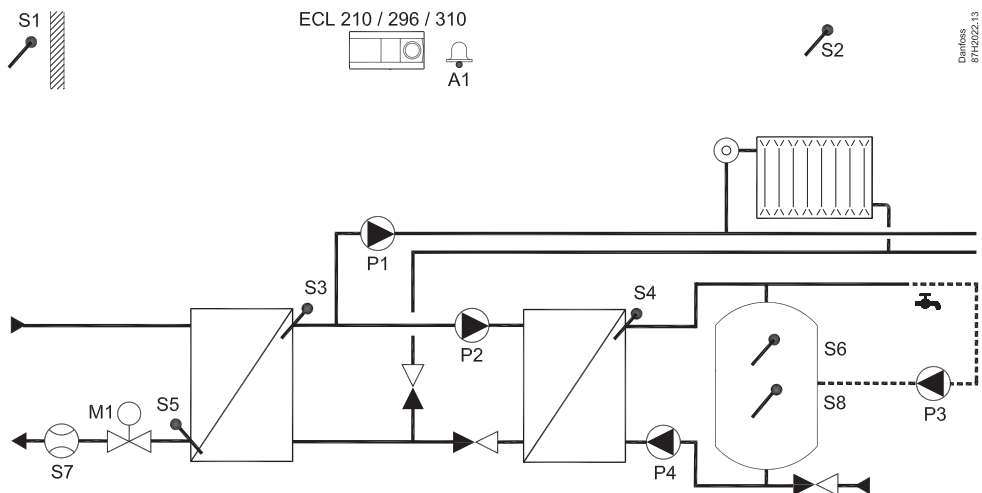
ECL 210 / 310 = ECL 210 / 296 / 310

A237.1, ex. d / A337.1, ex. d:



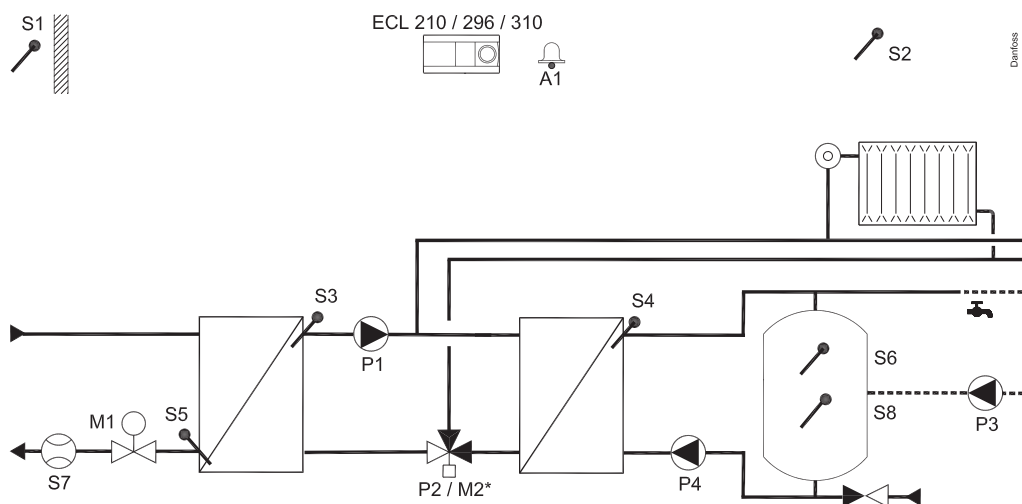
ECL 210 / 310 = ECL 210 / 296 / 310

**A237.2, ex. a / A337.2, ex. a:**



**ECL 210 / 310 = ECL 210 / 296 / 310**

**A237.2, ex. b / A337.2, ex. b:**



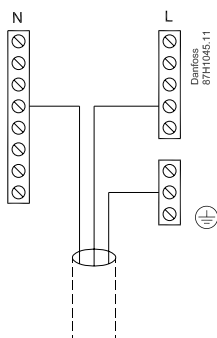
**ECL 210 / 310 = ECL 210 / 296 / 310**

		ECL 210	ECL 296	ECL 310
<b>A237</b>	<b>A237.1</b>	√	√	√
	<b>A237.2</b>	√	√	√
	<b>A337.1</b>			√
	<b>A337.1</b>			√

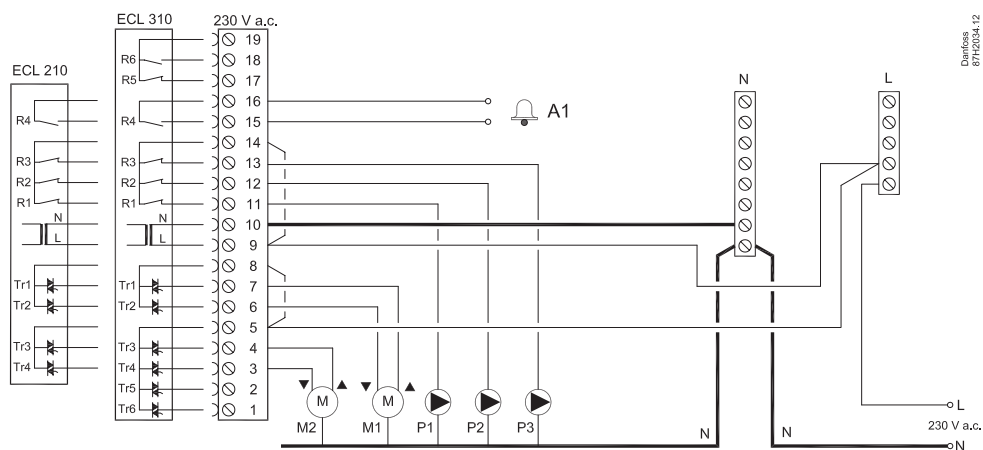
# Installation Guide, ECL Comfort 210 / 296 / 310, A237 / A337

## ECL Comfort 210 / 296 / 310: 230 V a.c.

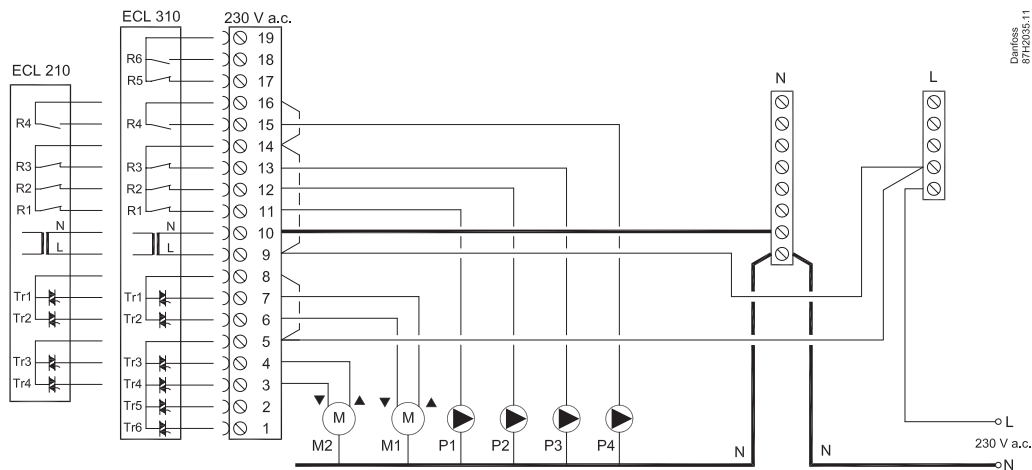
R	4 (2) A / 230 V a.c.
Tr	0,2 A / 230 V a.c.



## 230 V a.c., A237.1

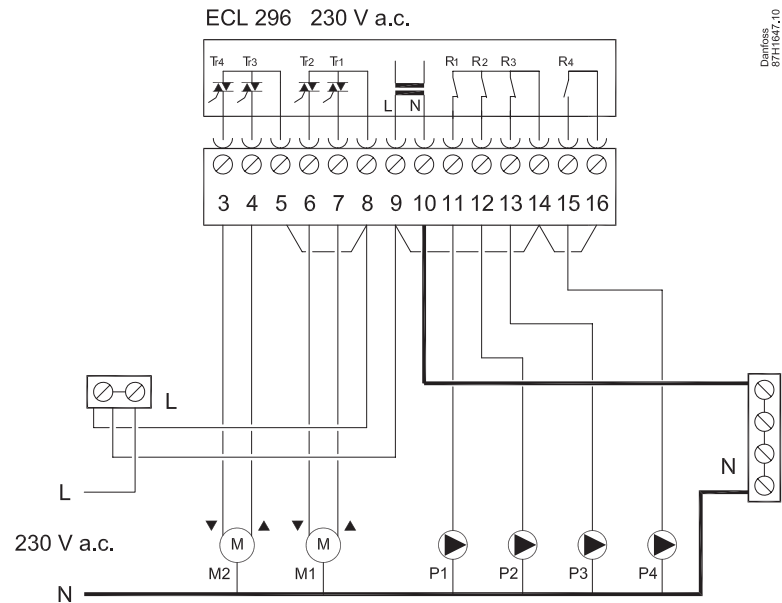


## 230 V a.c., A237.2

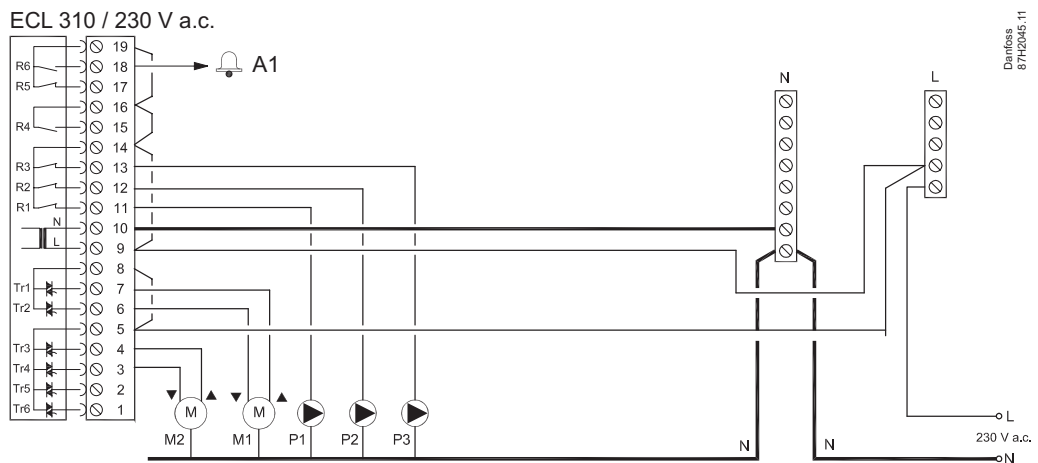


Installation Guide, ECL Comfort 210 / 296 / 310, A237 / A337

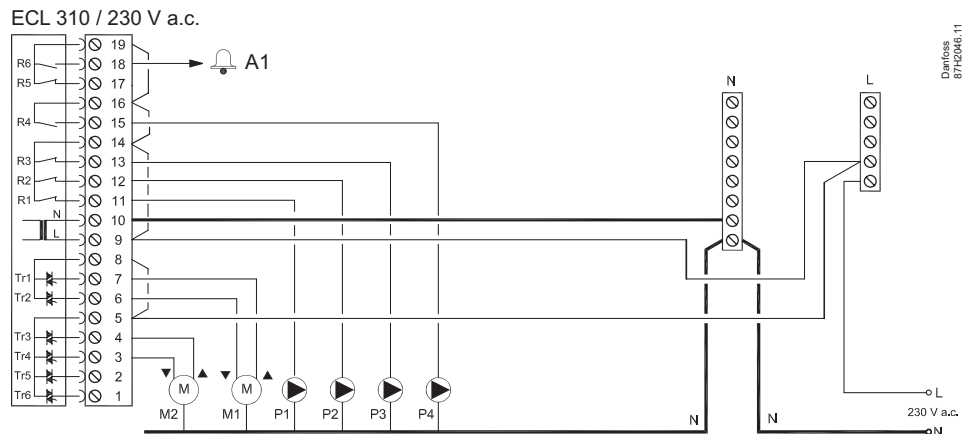
230 V a.c., A237.1, A237.2  
ECL 296



230 V a.c., A337.1

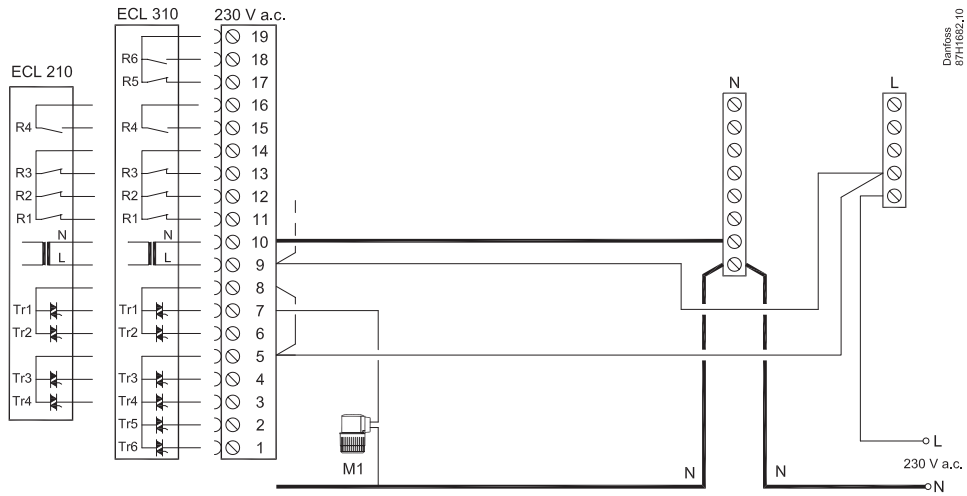


230 V a.c., A337.2



**230 V a.c.**

**Danfoss Thermo-actuator ABV**



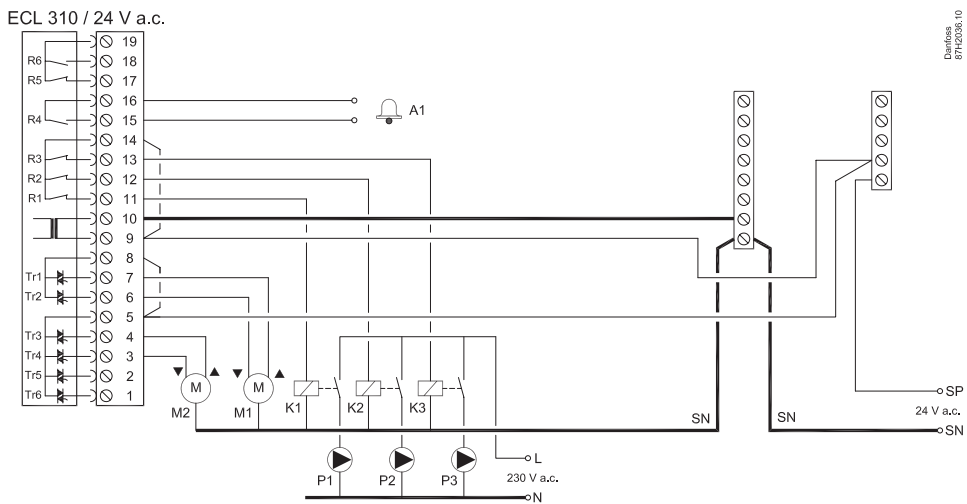
Danfoss  
8711692.10

**ECL Comfort 210 / 296 / 310:**

**24 V a.c.**

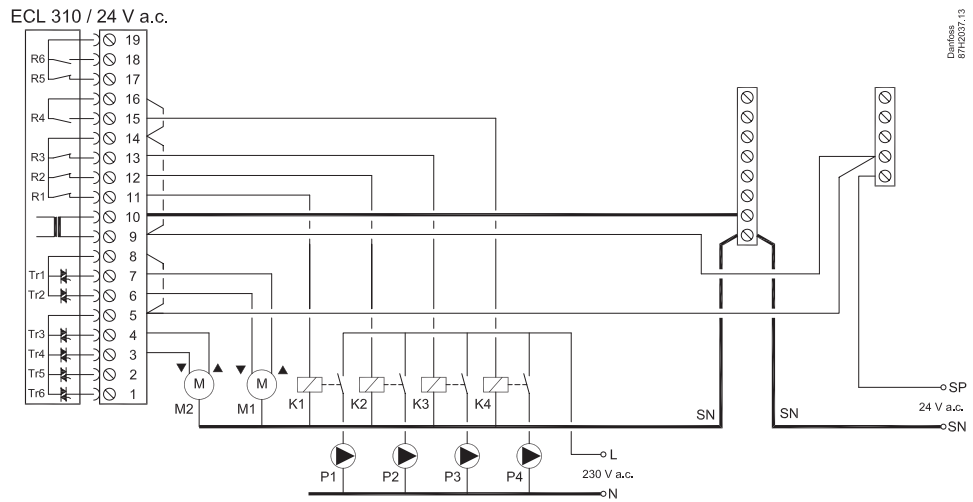
R		4 (2) A / 24 V a.c.
Tr		1 A / 24 V a.c.

**24 V a.c., A237.1**

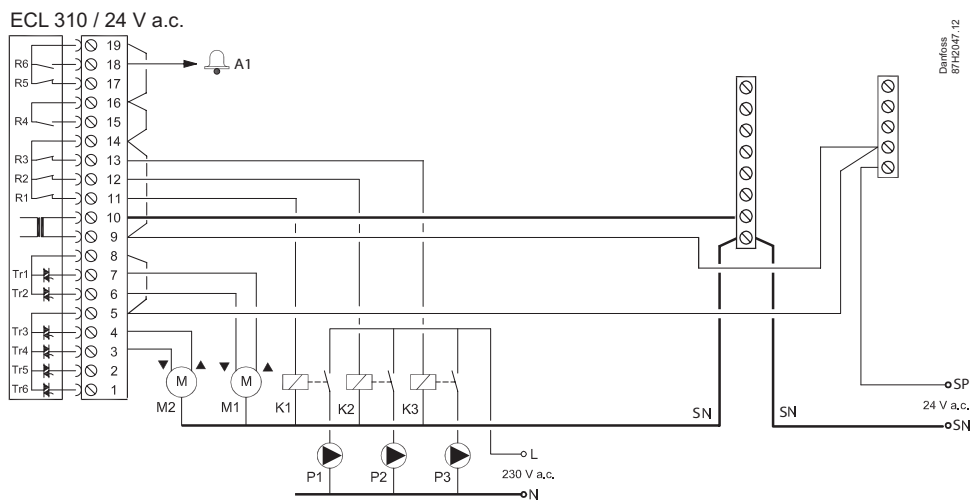


Danfoss  
8712036.10

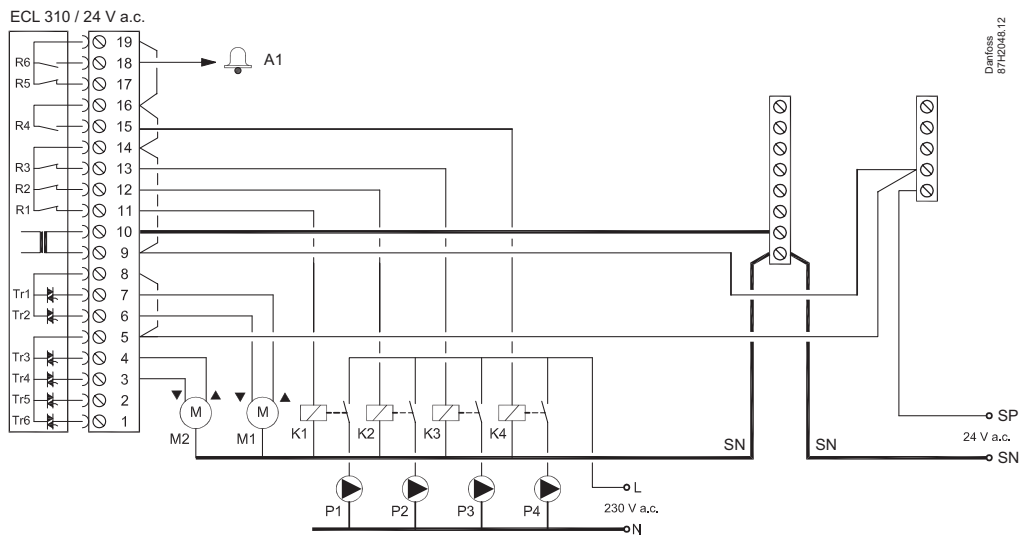
24 V a.c., A237.2



24 V a.c., A337.1

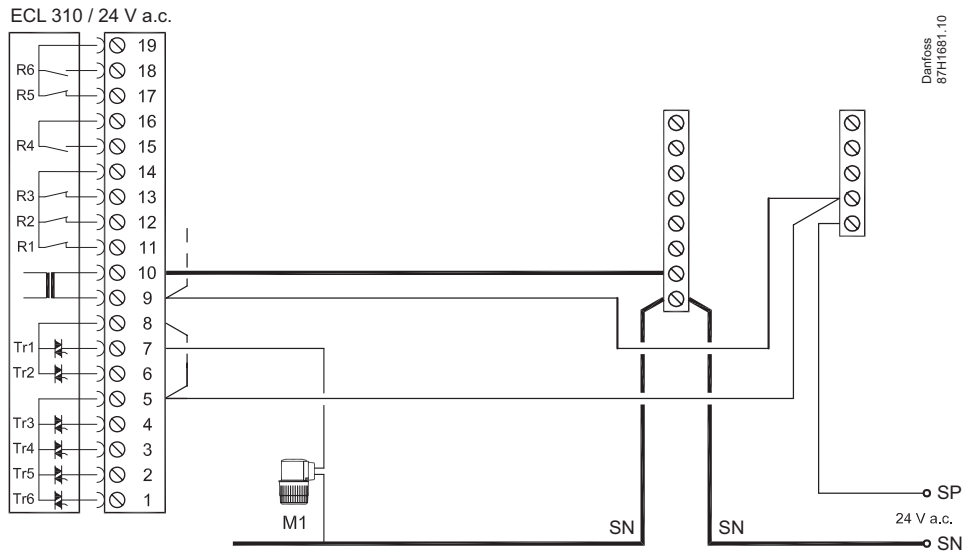


24 V a.c., A337.2



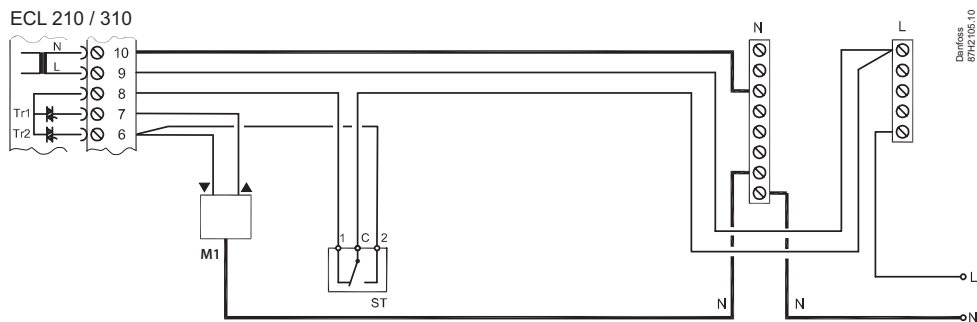
24 V a.c.

Danfoss Thermo-actuator ABV



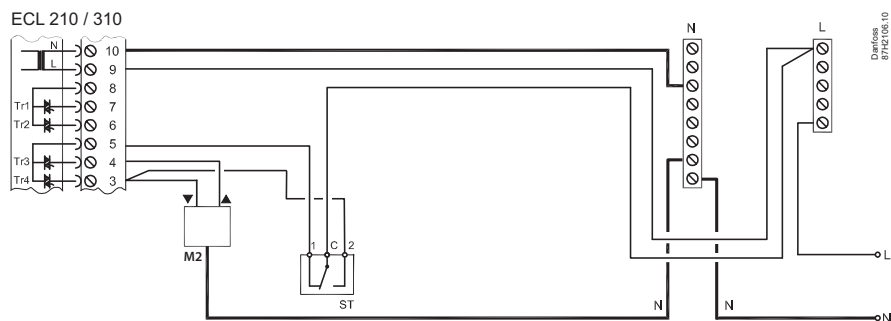
230 V a.c. / 24 V a.c., safety thermostat

1-step closing



230 V a.c. / 24 V a.c., safety thermostat

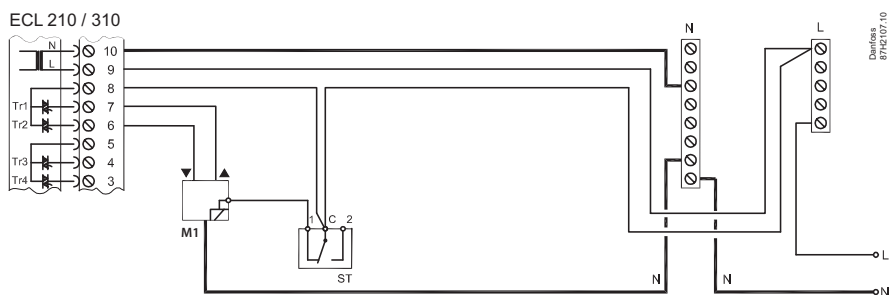
1-step closing





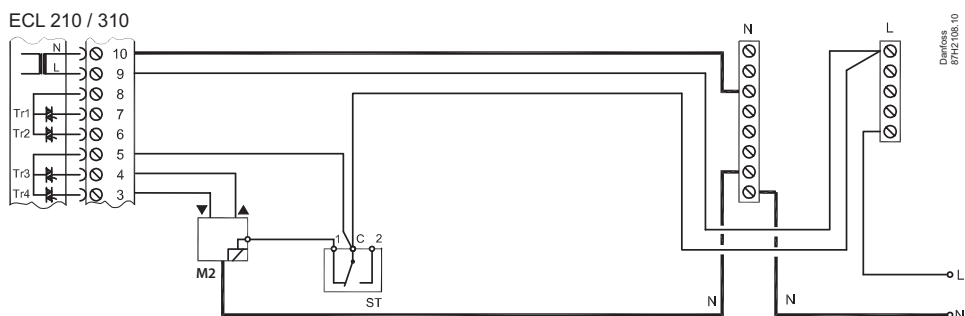
**230 V a.c. / 24 V a.c. , safety thermostat**

**1-step closing**



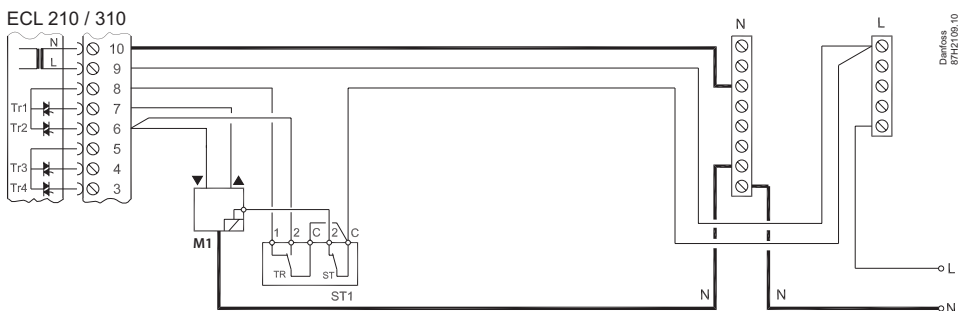
**230 V a.c. / 24 V a.c. , safety thermostat**

**1-step closing**



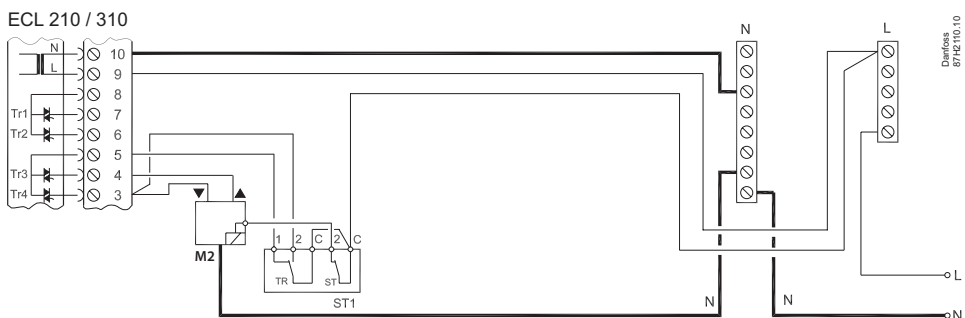
**230 V a.c. / 24 V a.c. , safety thermostat**

**2-step closing**



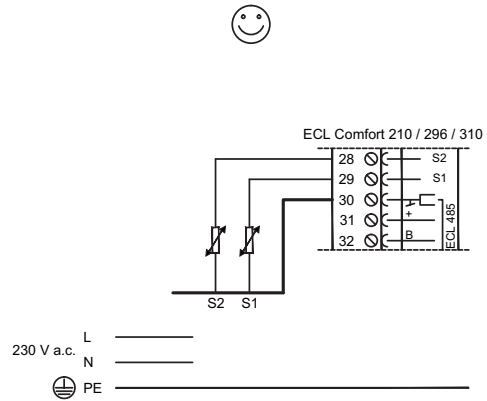
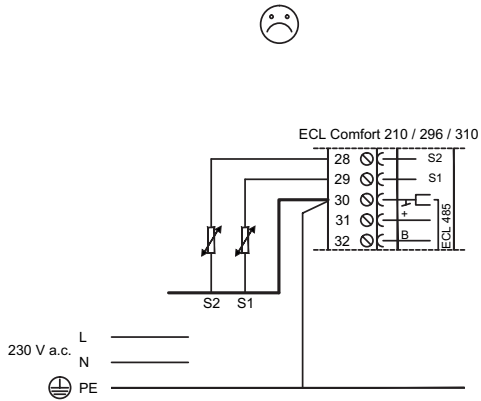
**230 V a.c. / 24 V a.c. , safety thermostat**

**2-step closing**



# Installation Guide, ECL Comfort 210 / 296 / 310, A237 / A337

**Pt 1000** (1000 Ω / 0 °C)

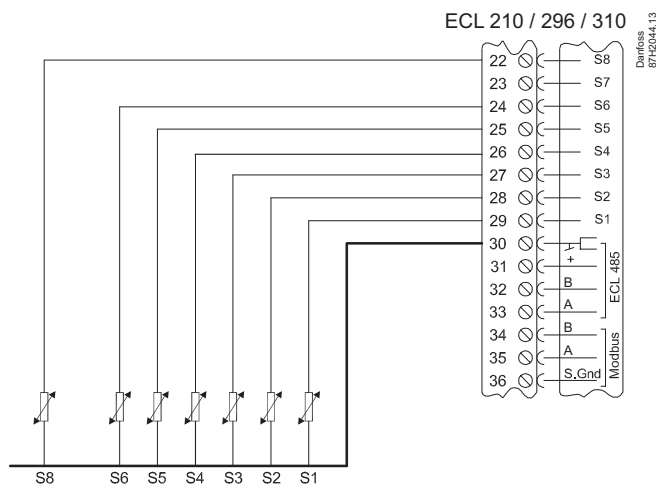


Danfoss  
8711467.11

**Pt 1000** (1000 Ω / 0 °C)

**ECL 210 / 296 / 310**

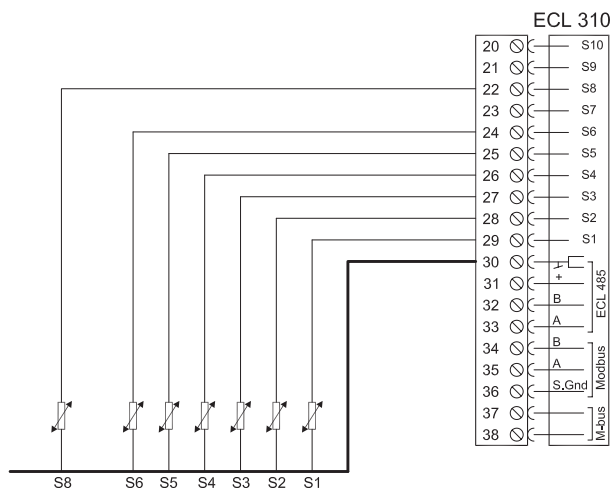
	S1	S2	S3	S4	S5	S6	S7	S8
<b>A237.1</b>	√	√	√		√	√		√
<b>A237.2</b>	√	√	√	√	√	√		√



Pt 1000 (1000 Ω / 0 °C)

**ECL 310**

	S1	S2	S3	S4	S5	S6	S7	S8	S9	S10
<b>A337.1</b>	√	√	√		√	√		√		0 - 10 V
<b>A337.2</b>	√	√	√	√	√	√		√		0 - 10 V

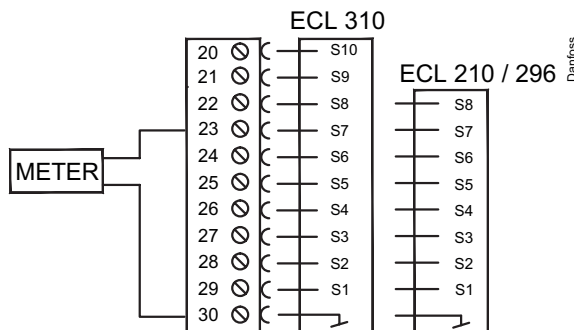


Danfoss  
87H1389.11

**A237.1, A237.2**



**S7**



Danfoss  
87H1098.12

A237.1, A237.2

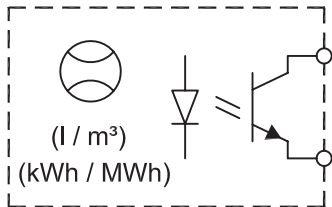


S7



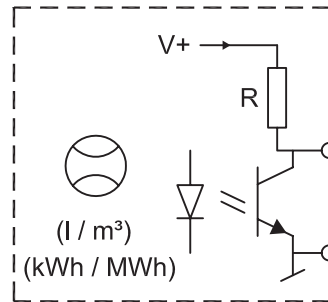
A / B ?

A:



Danfoss  
87H1457.10

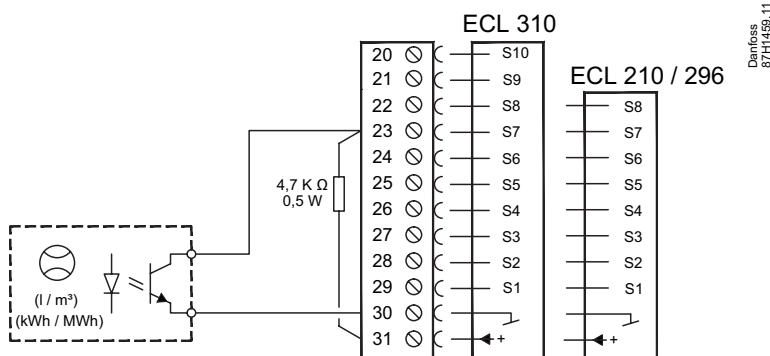
B:



Danfoss  
87H1458.10

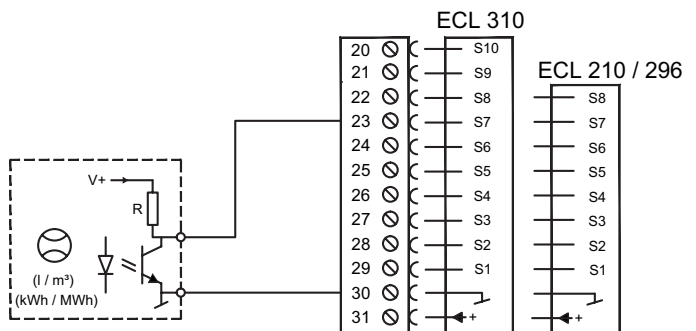


A:



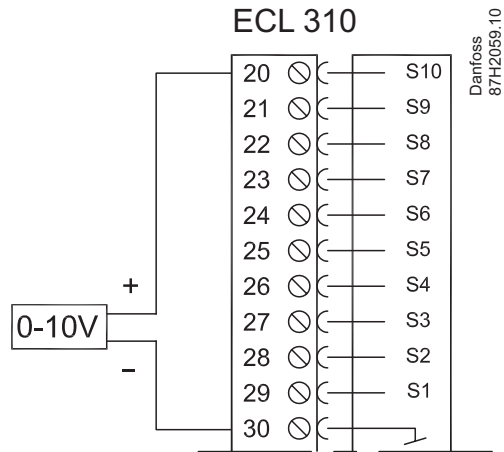
Danfoss  
87H1459.11

B:

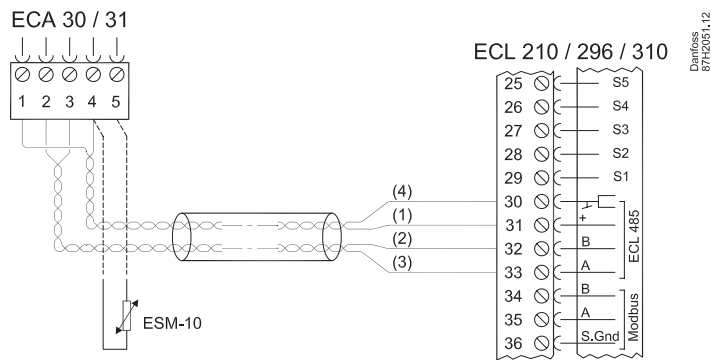


Danfoss  
87H1460.11

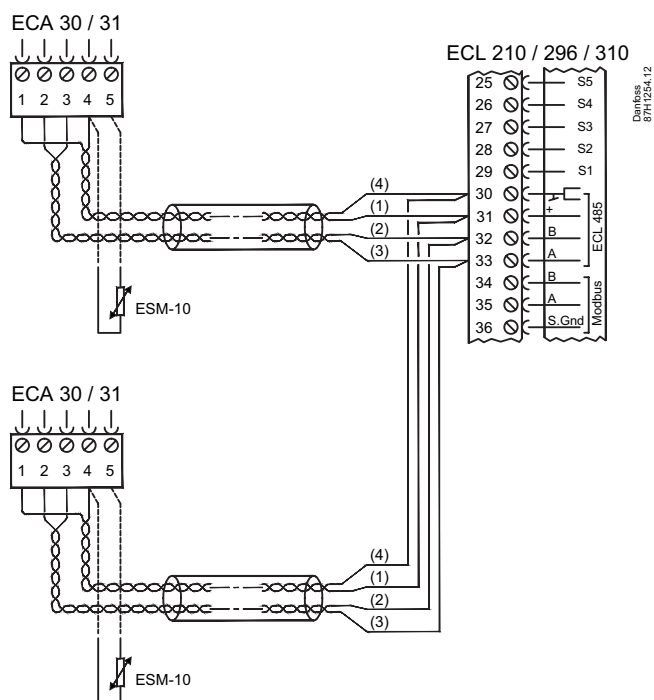
A337.1, A337.2:



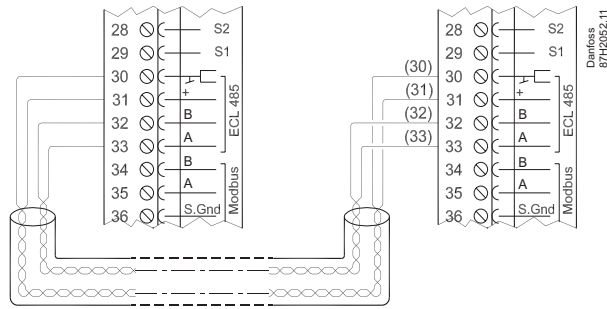
ECA 30 / 31



ECA 30 / 31

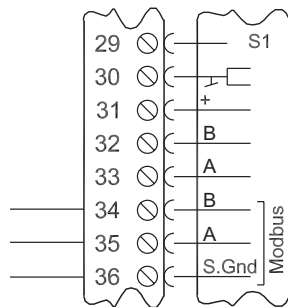


Master / slave



Modbus

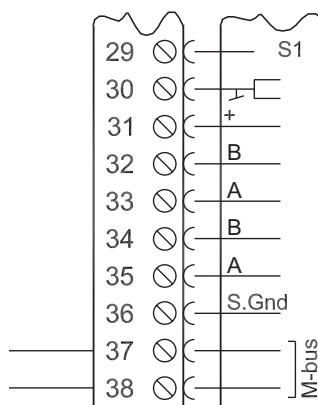
ECL 210 / 296 / 310



Danfoss  
87H2060.11

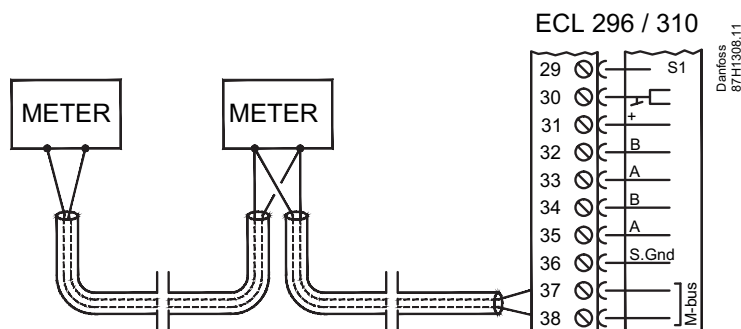
M-bus

ECL 296 / 310



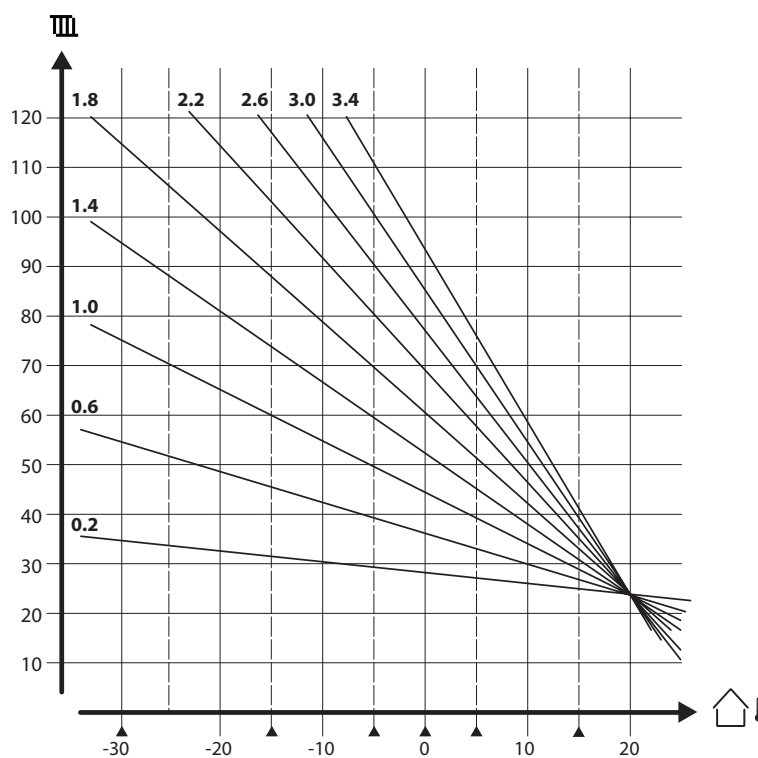
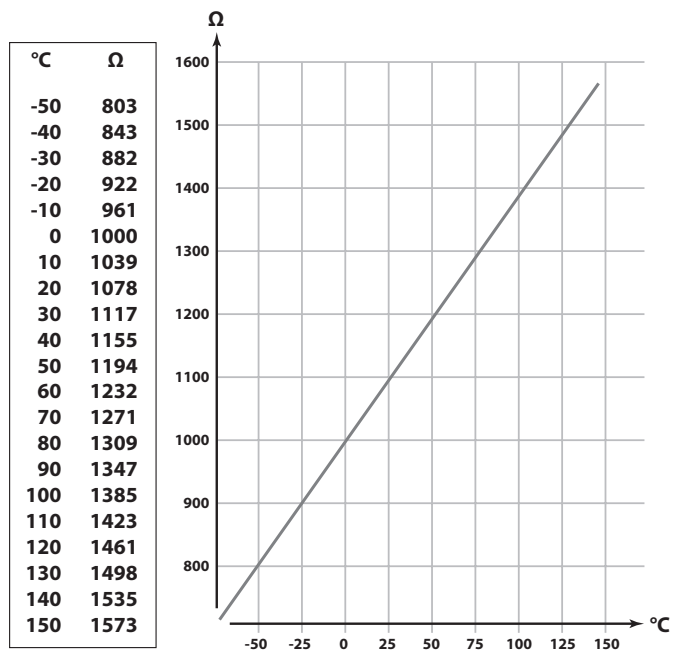
Danfoss  
87H2061.11

M-bus



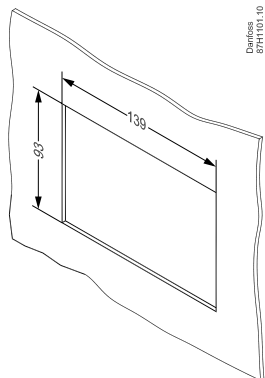
Danfoss  
87H1308.11

Pt 1000 (IEC 751B, 1000 Ω / 0 °C)



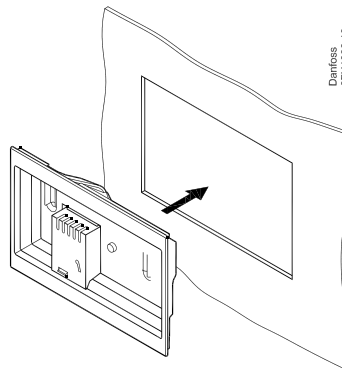
ECA 30

1



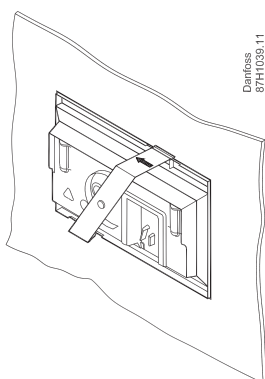
Danfoss  
87H101.10

2



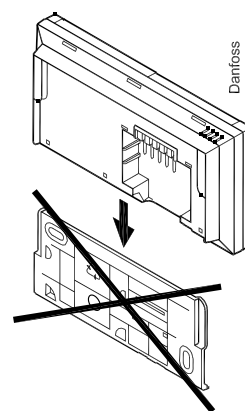
Danfoss  
87H1038.10

3



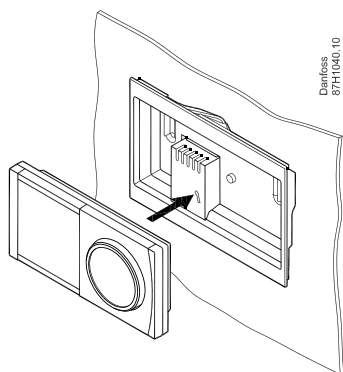
Danfoss  
87H1039.11

4



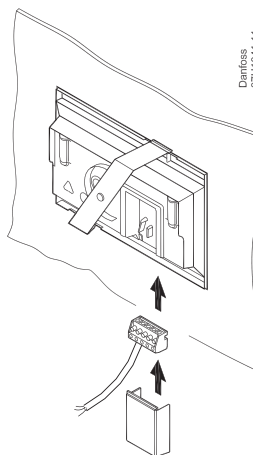
Danfoss  
87H1037.10

5



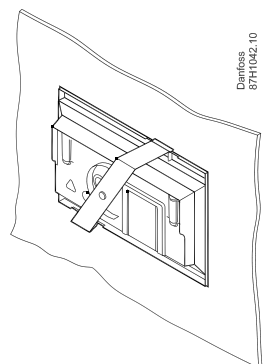
Danfoss  
87H1040.10

6



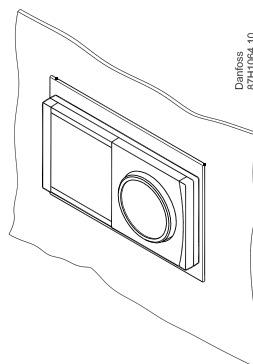
Danfoss  
87H1041.11

7



Danfoss  
87H1042.10

8



Danfoss  
87H1064.10

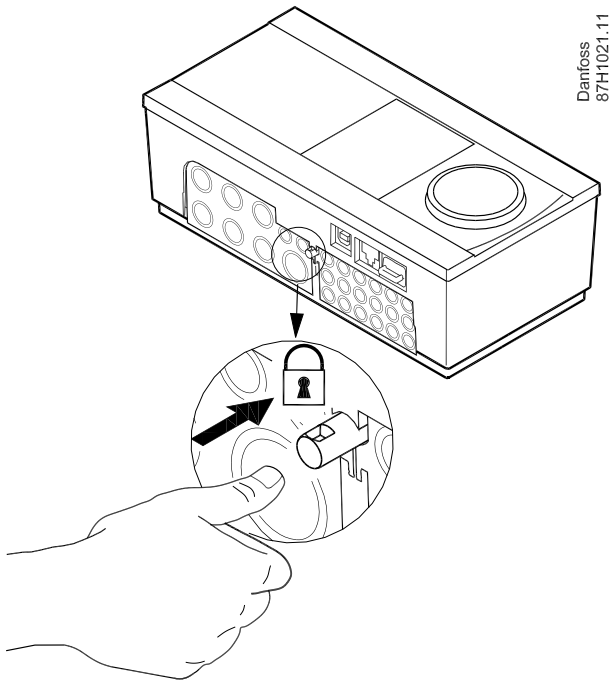




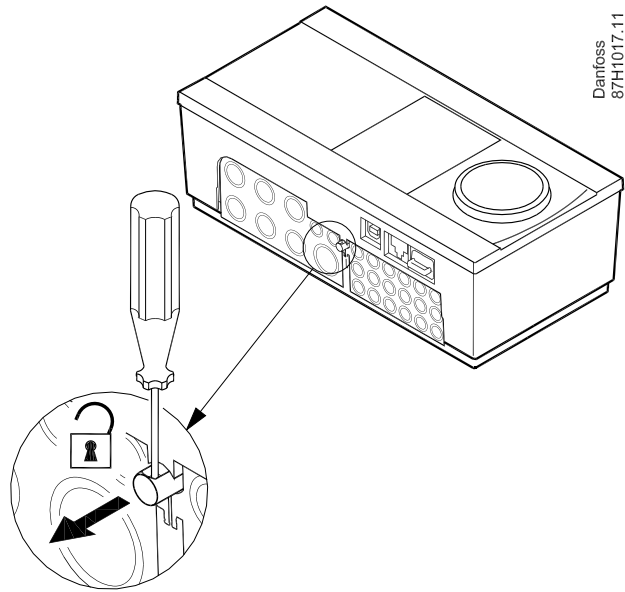




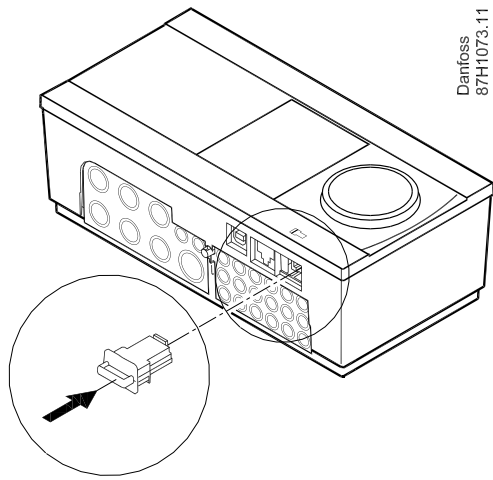
Installation Guide, ECL Comfort 210 / 296 / 310, A237 / A337



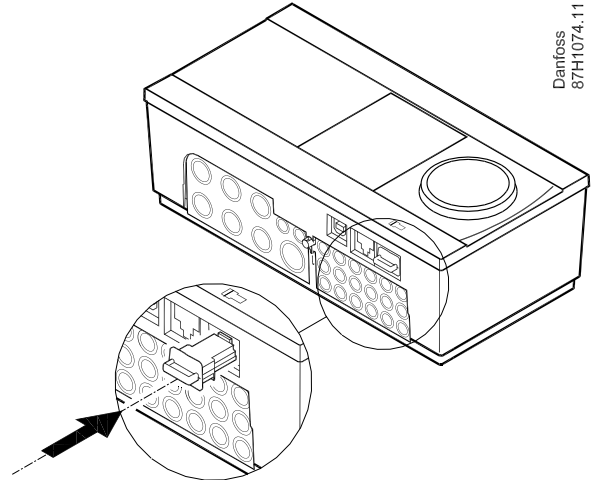
Danfoss  
87H1021.11



Danfoss  
87H1017.11



Danfoss  
87H1073.11



Danfoss  
87H1074.11

? **ECL Comfort 210 / 296 / 310, A237 / A337: [www.heating.danfoss.com](http://www.heating.danfoss.com)**



**Danfoss A/S**  
Heating Segment • [heating.danfoss.com](http://heating.danfoss.com) • +45 7488 2222 • E-Mail: [heating@danfoss.com](mailto:heating@danfoss.com)

Danfoss can accept no responsibility for possible errors in catalogues, brochures and other printed material. Danfoss reserves the right to alter its products without notice. This also applies to products already on order provided that such alterations can be made without subsequential changes being necessary in specifications already agreed. All trademarks in this material are property of the respective companies. Danfoss and all Danfoss logotypes are trademarks of Danfoss A/S. All rights reserved.