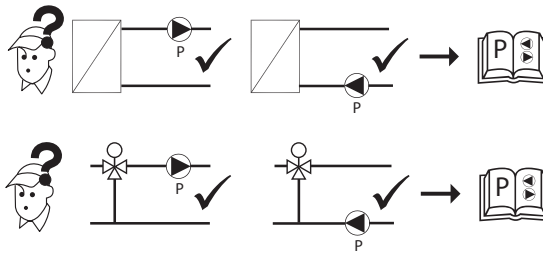
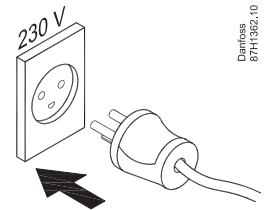
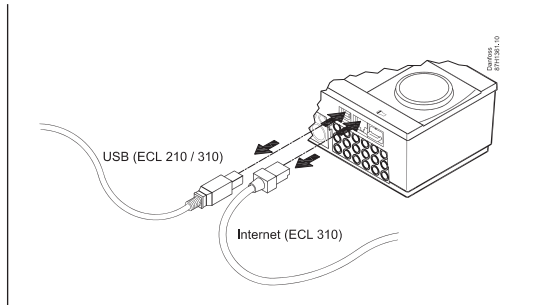
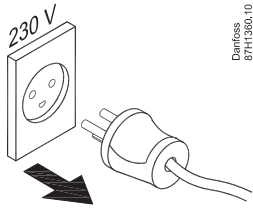
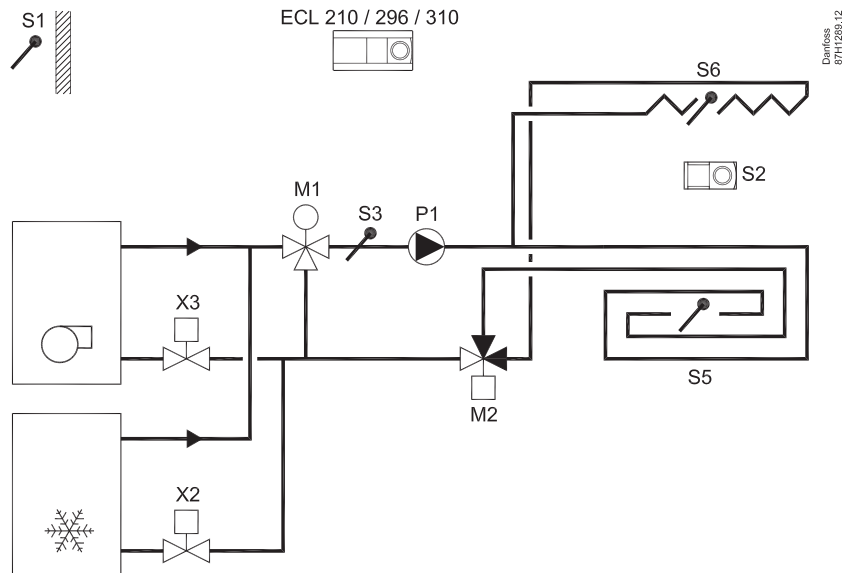


Installation Guide

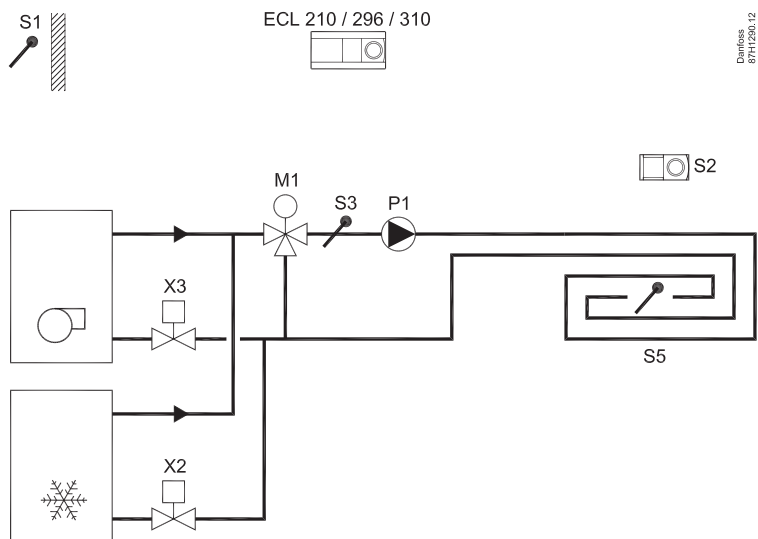
# ECL Comfort 210 / 296 / 310, A232 / A332 (code no. 087H3812)



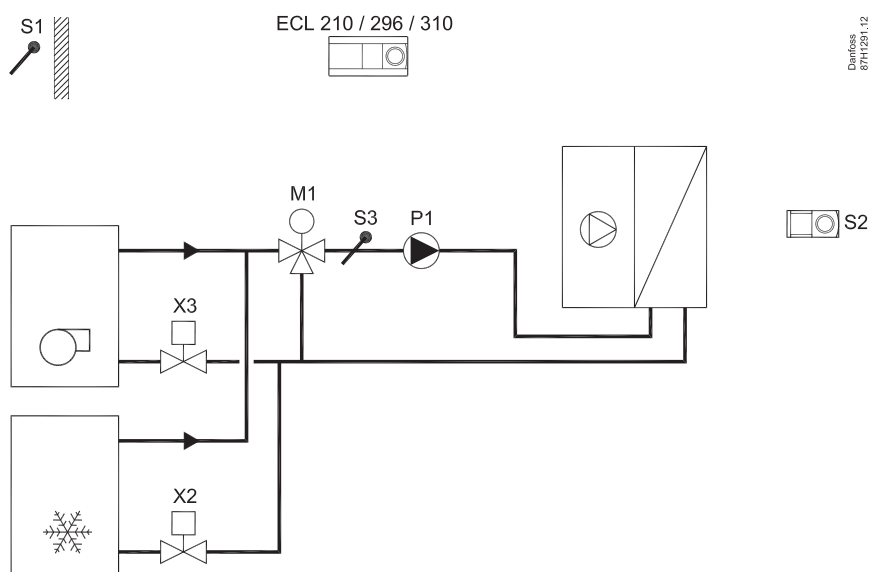
A232.1, ex. a



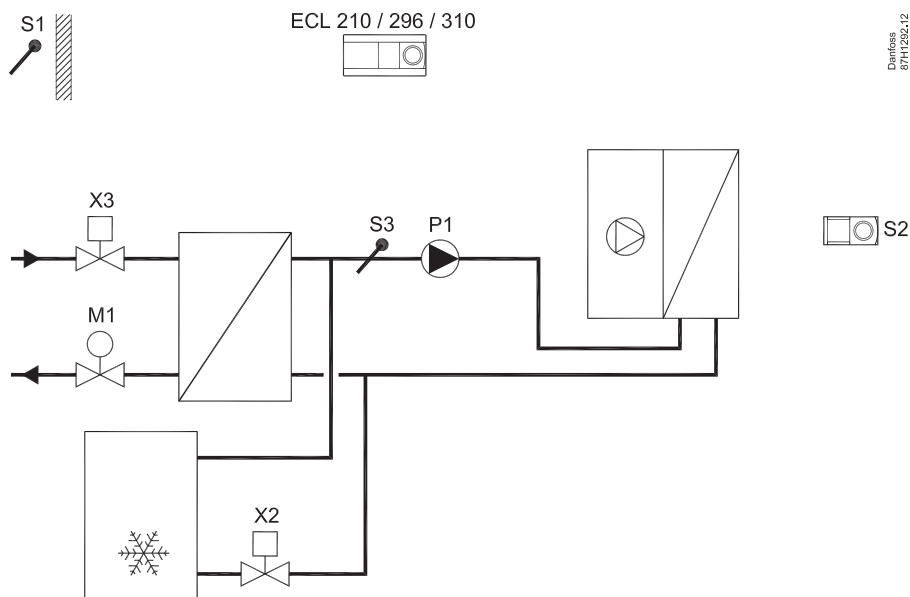
A232.1, ex. b



A232.1, ex. c

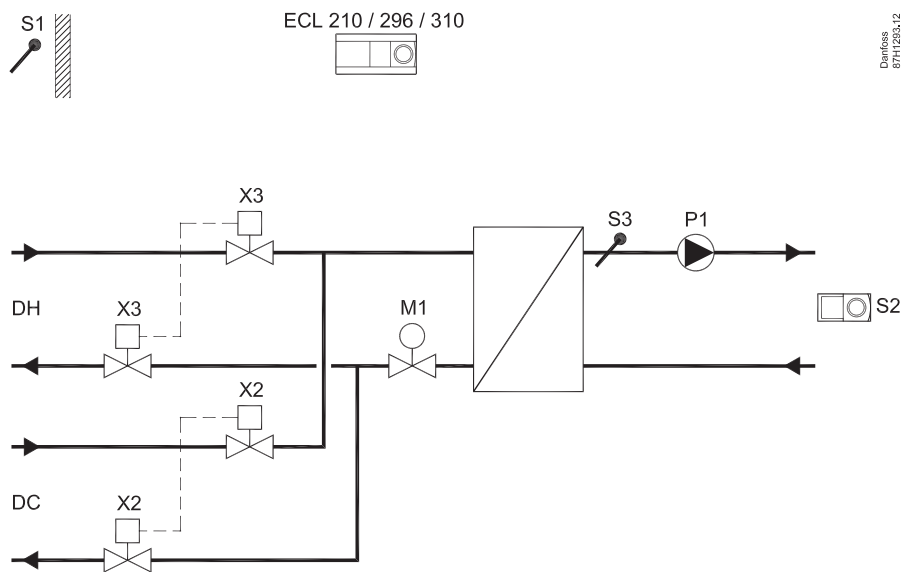


A232.1, ex. d



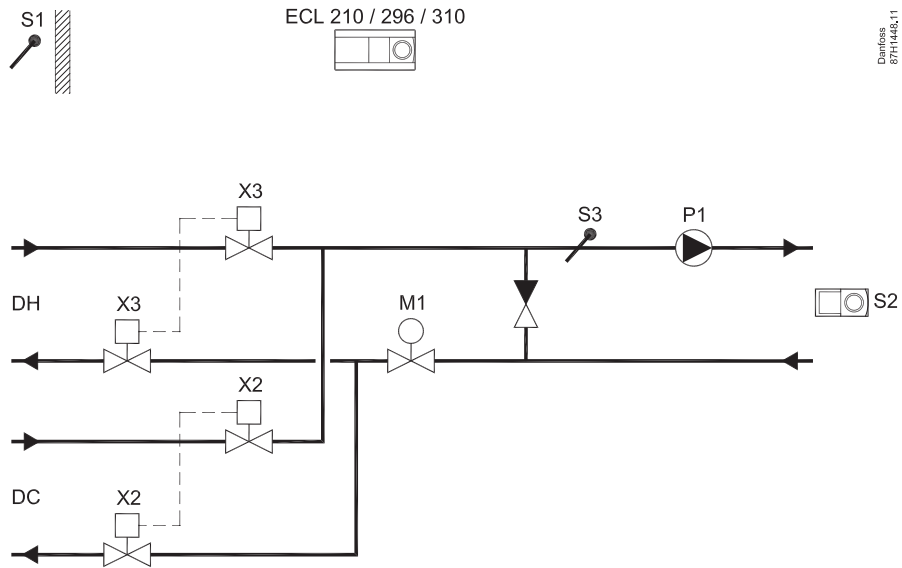
Danfoss  
87H1292.12

A232.1, ex. e

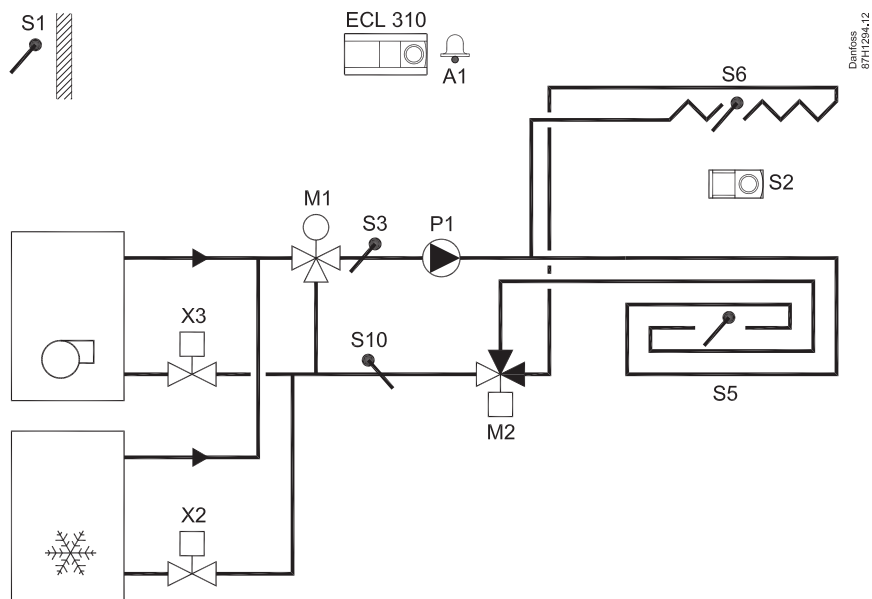


Danfoss  
87H1293.12

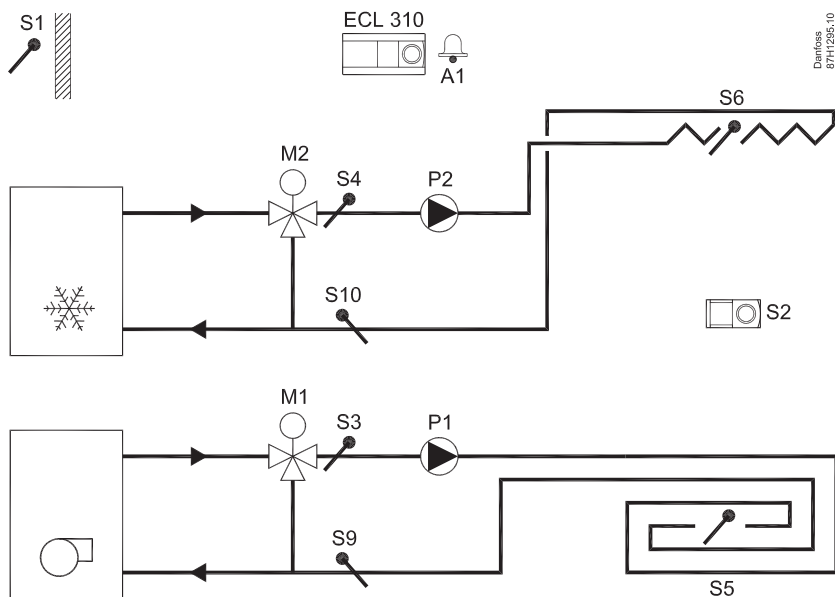
A232.1, ex. f



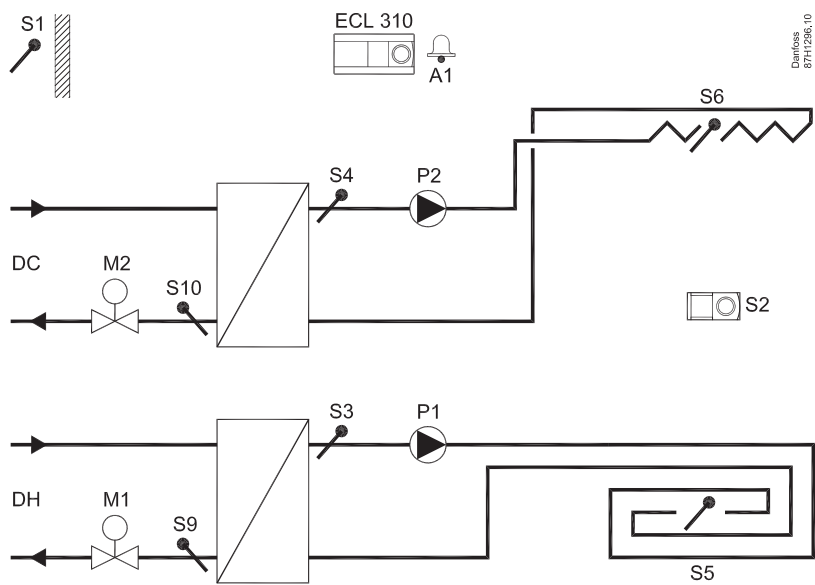
A332.1, ex. a



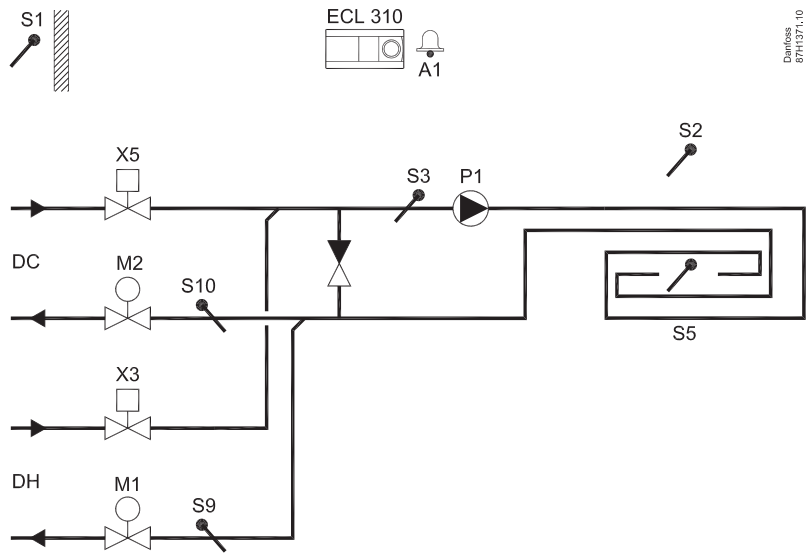
A332.2, ex. a



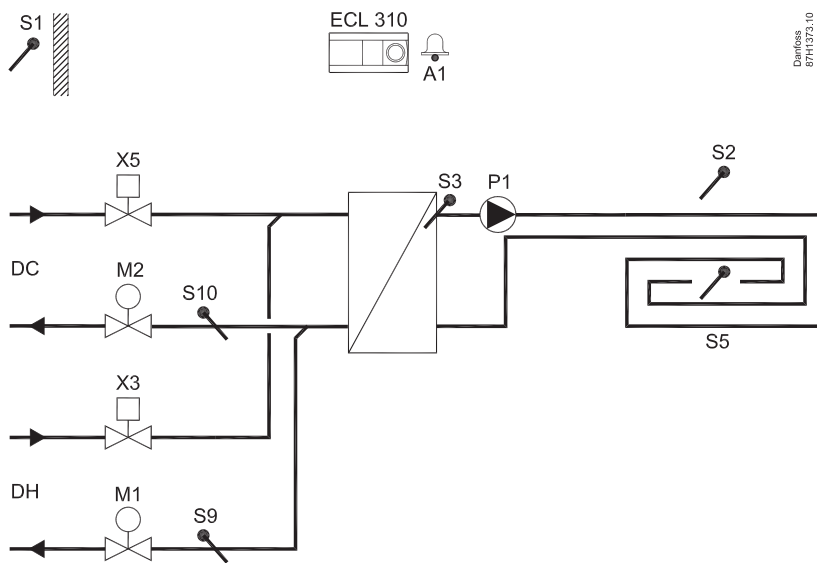
A332.2, ex. b



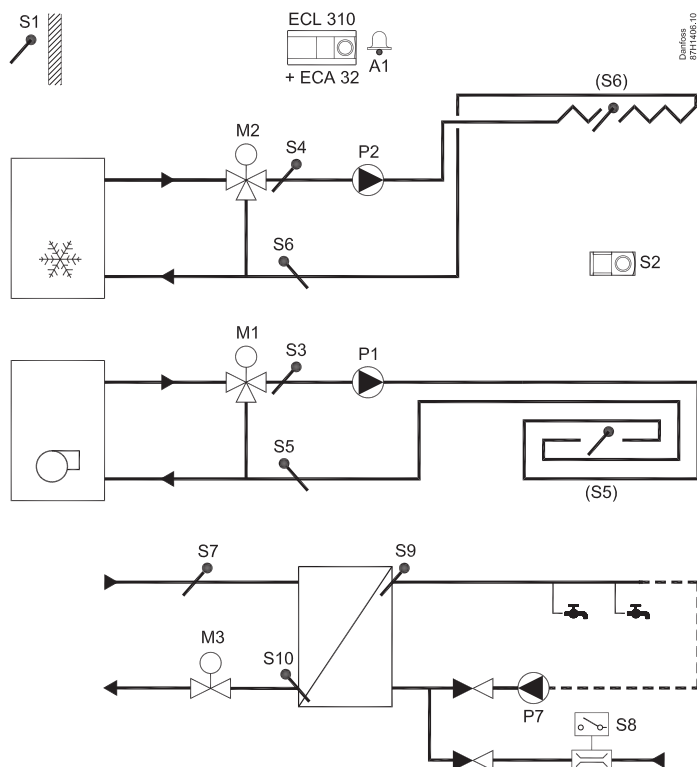
A332.2, ex. c



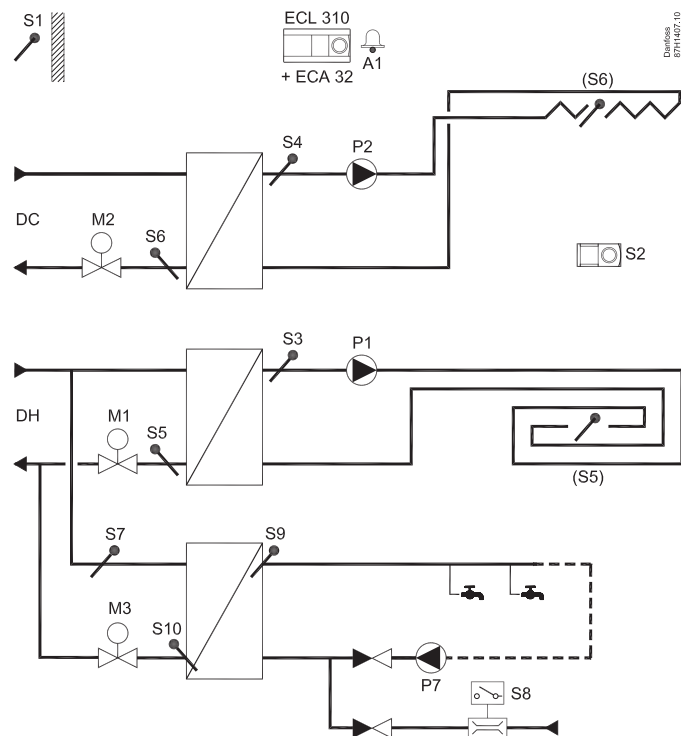
A332.2, ex. d



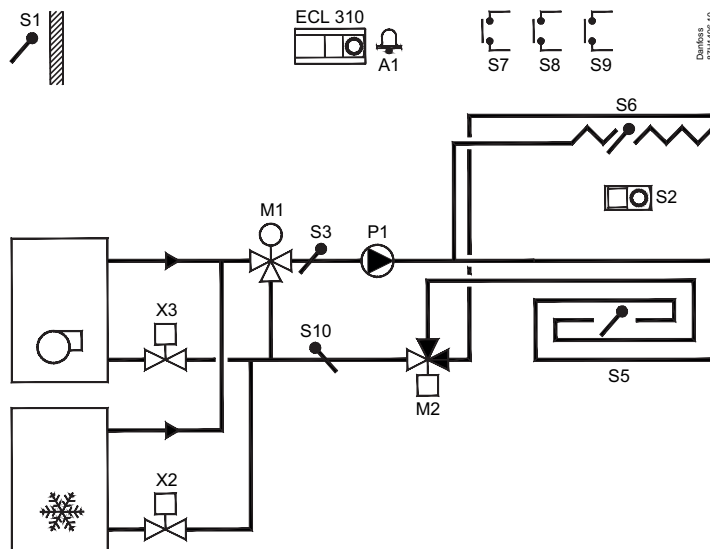
A332.3, ex. a



A332.3, ex. b



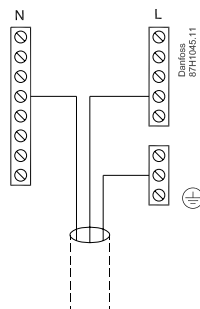
A332.4, ex. a



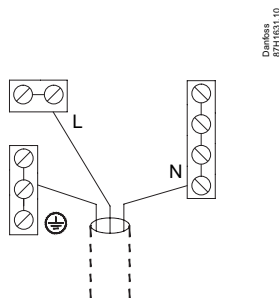
ECL Comfort 210 / 296 / 310:  
230 V a.c.

R	4 (2) A / 230 V a.c.
R	
Tr	0,2 A / 230 V a.c.

ECL 210 / 310



ECL 296





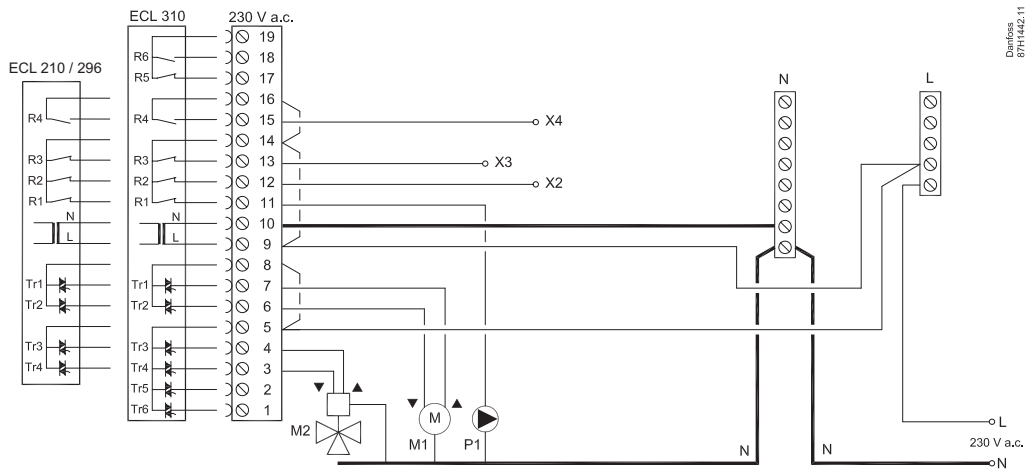
Installation Guide, ECL Comfort 210 / 296 / 310, A232 / A332

230 V a.c., A232.1 (ECL 210 / 296 / 310)

A332.1, A332.2, A332.3, A332.4 (ECL 310)

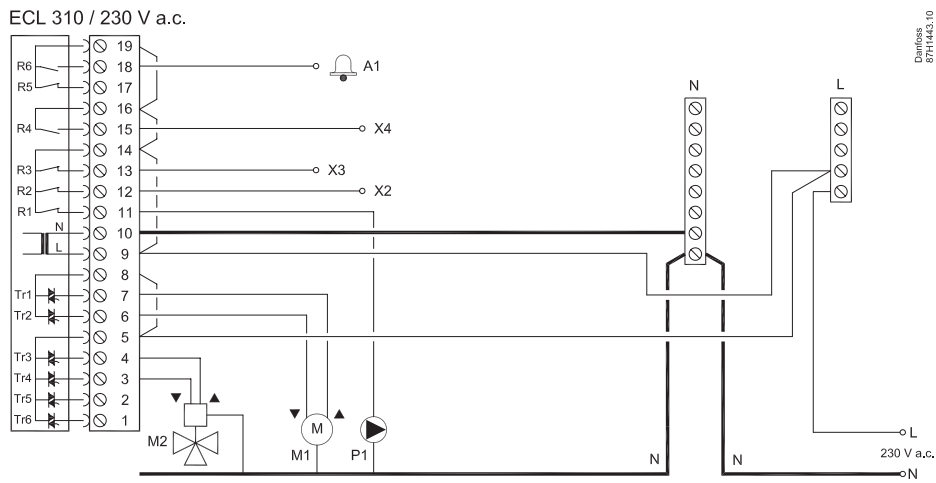
	M1	M2	M3		R1	R2	R3	R4	R5	R6
A232.1	✓	✓			P1	X2	X3	X4		
A332.1	✓	✓			P1	X2	X3	X4		A1
A332.2	✓	✓			P1	P2	X3	X4	X5	A1
A332.3	✓	✓	✓		P1	P2	X3	X4	X5	A1
A332.4	✓	✓			P1	X2	X3	X4		A1

230 V a.c., A232.1 (ECL 210 / 296 / 310)

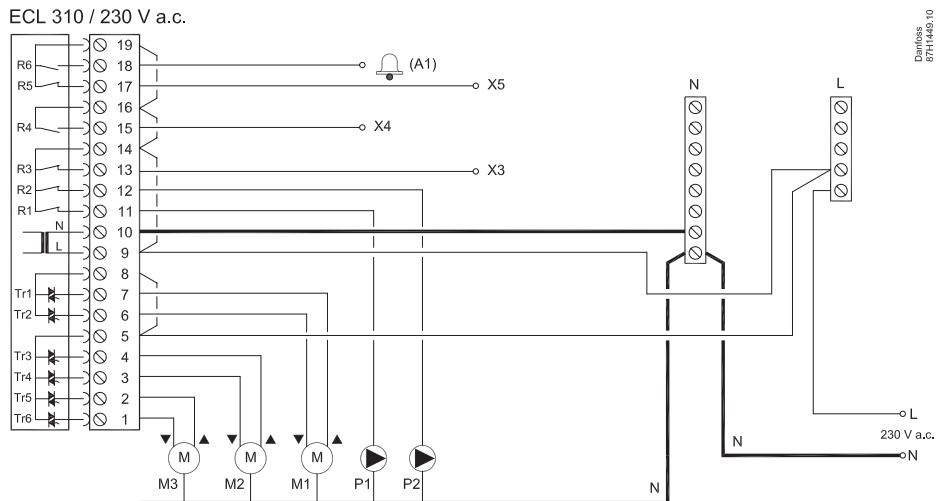


Doc. No. 8711445.11

230 V a.c., A332.1, A332.4 (ECL 310)

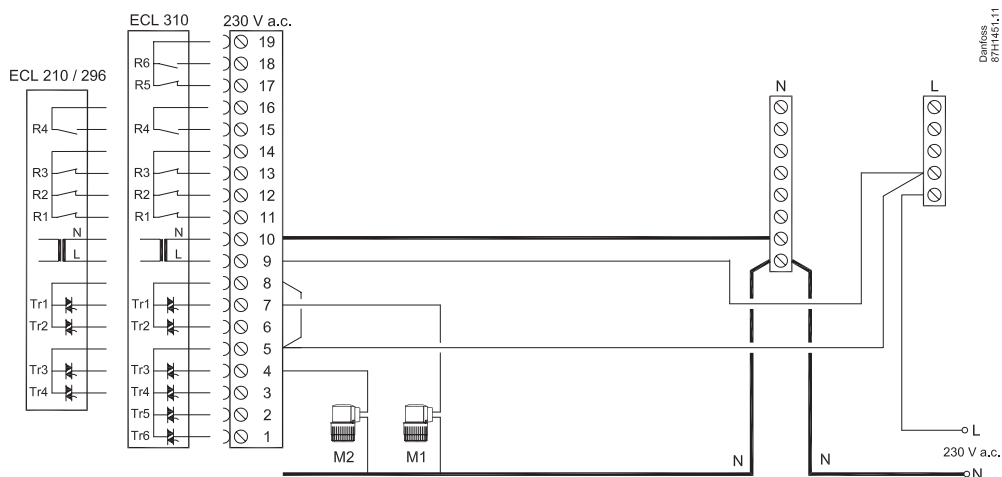


230 V a.c., A332.2, A332.3 (ECL 310)

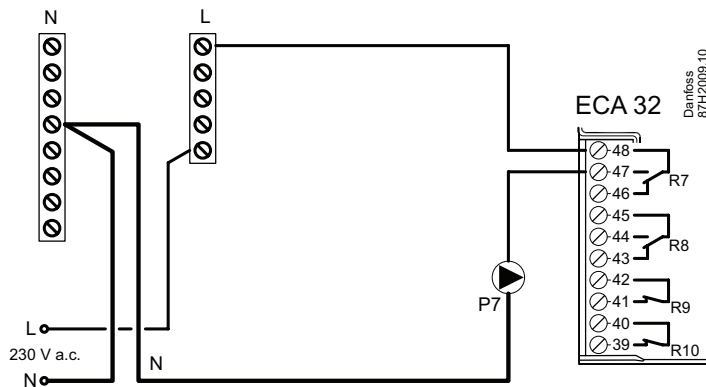


230 V a.c., A232 Danfoss ABV

Danfoss type ABV:			
	M1	M2	M3
A232.1	✓		
A332.1	✓		
A332.2	✓	✓	
A332.3	✓	✓	
A332.4	✓		

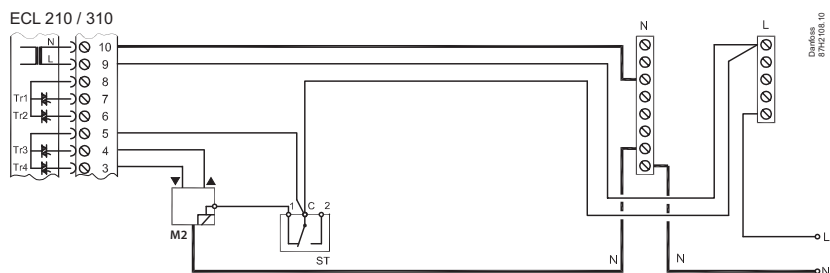
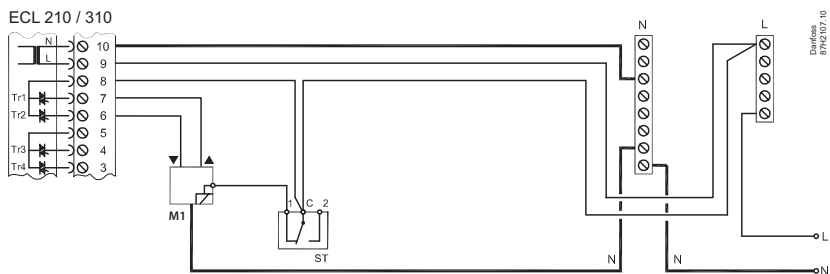
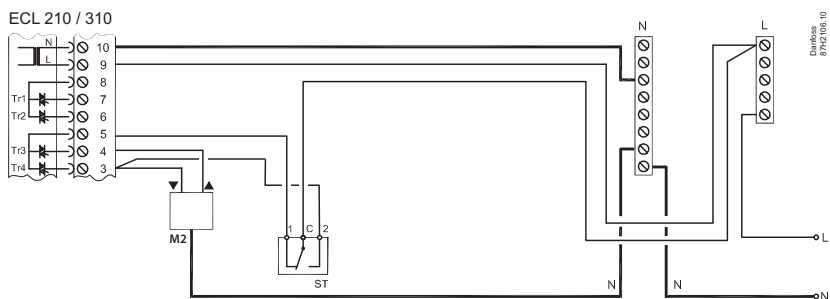
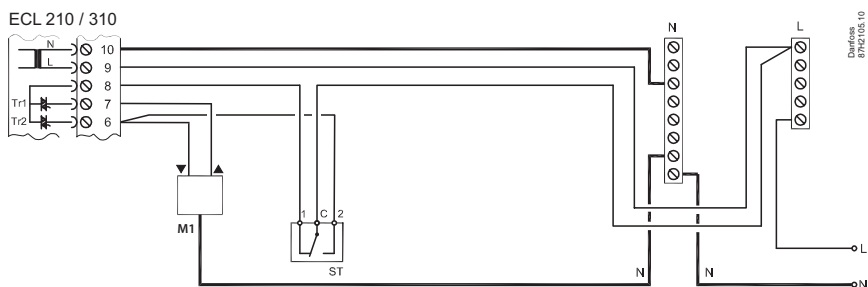


230 V a.c., A332.3, ECA 32, P7

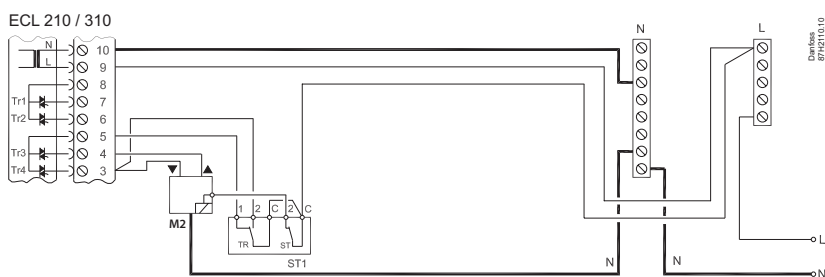
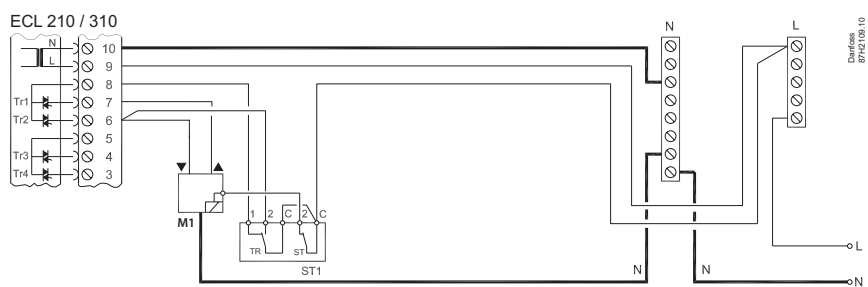


230 V a.c. / 24 V a.c. safety thermostat

1-step closing



**230 V a.c. / 24 V a.c. safety thermostat**  
**2-step closing**



**ECL Comfort 310:**

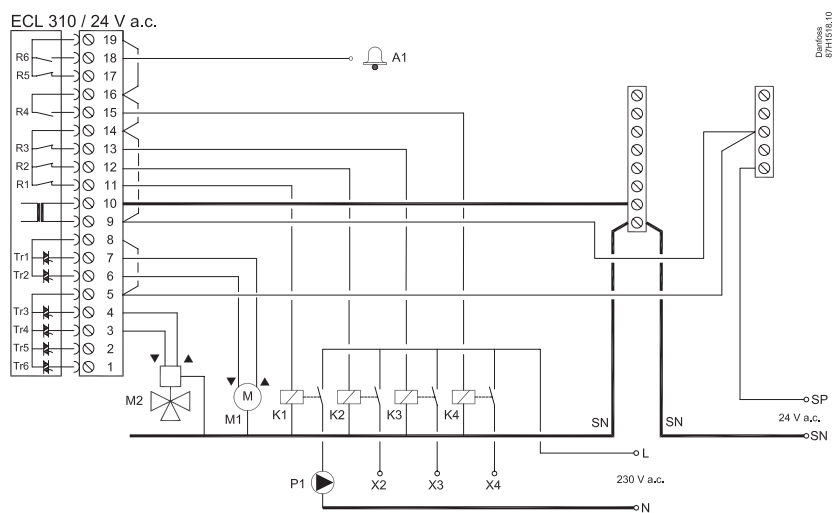
24 V a.c.

R		4 (2) A / 24 V a.c.
Tr		1 A / 24 V a.c.

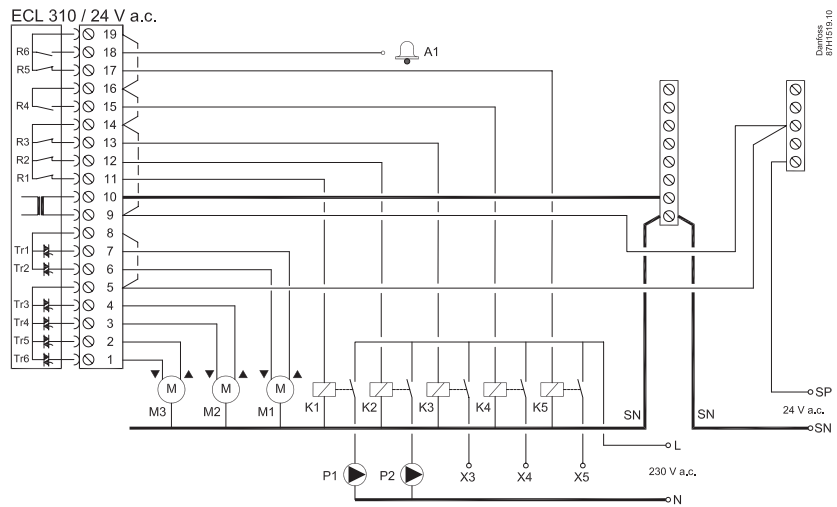
24 V a.c., A232.1, A332.1, A332.2, A332.3, A332.4 (ECL 310)

	M1	M2	M3		R1	R2	R3	R4	R5	R6
A232.1	✓	✓			P1	X2	X3	X4		
A332.1	✓	✓			P1	X2	X3	X4		A1
A332.2	✓	✓			P1	P2	X3	X4	X5	A1
A332.3	✓	✓	✓		P1	P2	X3	X4	X5	A1
A332.4	✓	✓			P1	X2	X3	X4		A1

24 V a.c., A232.1, A332.1, A332.4 (ECL 310)

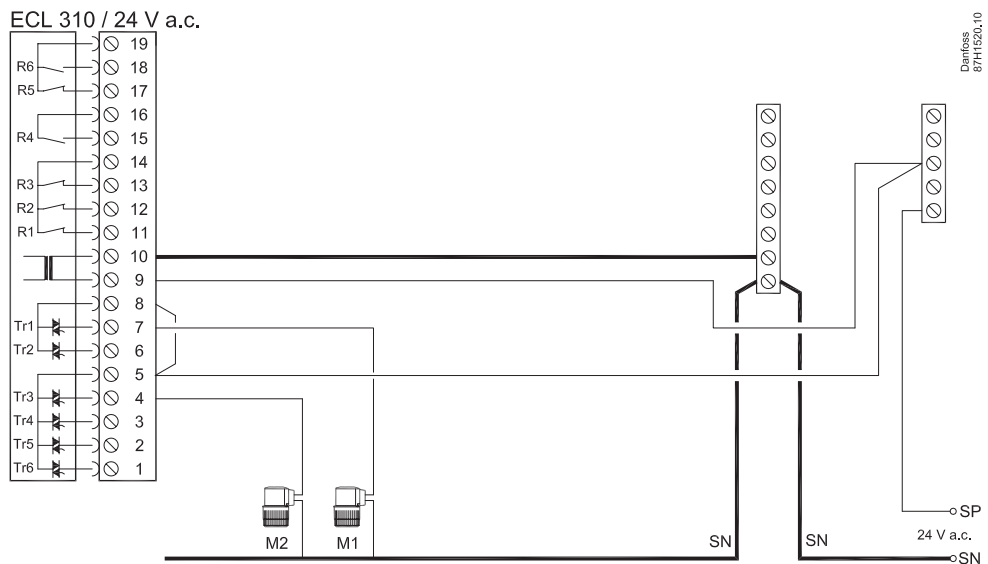


24 V a.c., A332.2, A332.3 (ECL 310)

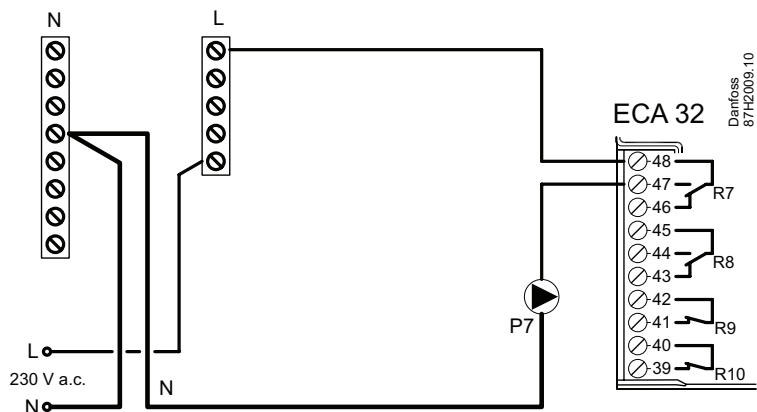


24 V a.c., A232, Danfoss ABV

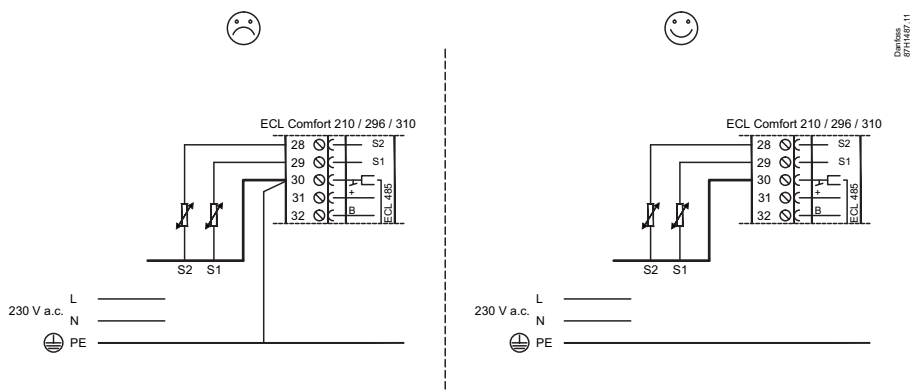
	Danfoss type ABV:		
	M1	M2	M3
A232.1	✓		
A332.1	✓		
A332.2	✓	✓	
A332.3	✓	✓	
A332.4	✓		



24 V a.c., A332.3, ECA 32, P7



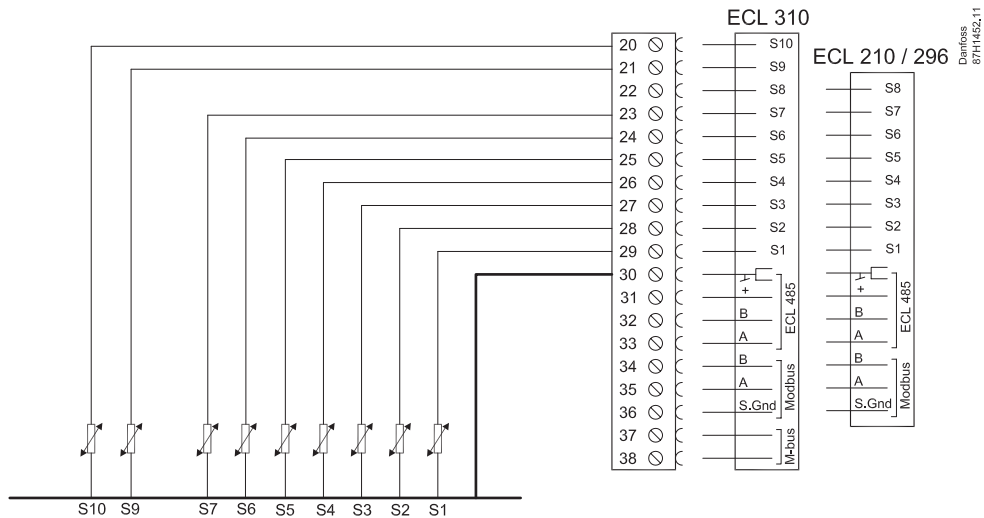
Pt 1000 (1000 Ω / 0 °C)





**Pt 1000** (1000 Ω / 0 °C)

	S1	S2	S3	S4	S5	S6	S7	S8	S9	S10
<b>A232.1</b>	✓	✓	✓		✓	✓				
<b>A332.1</b>	✓	✓	✓		✓	✓				✓
<b>A332.2</b>	✓	✓	✓	✓	✓	✓			✓	✓
<b>A332.3</b>	✓	✓	✓	✓	✓	✓	✓		✓	✓
<b>A332.4</b>	✓	✓	✓		✓	✓				✓

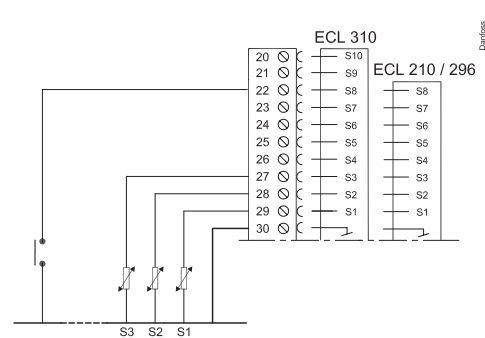
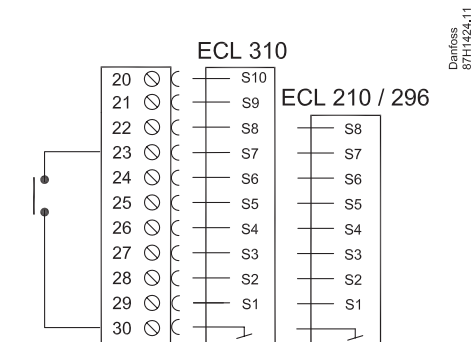


**A232.1, A332.1, A332.2, A332.3, A332.4**

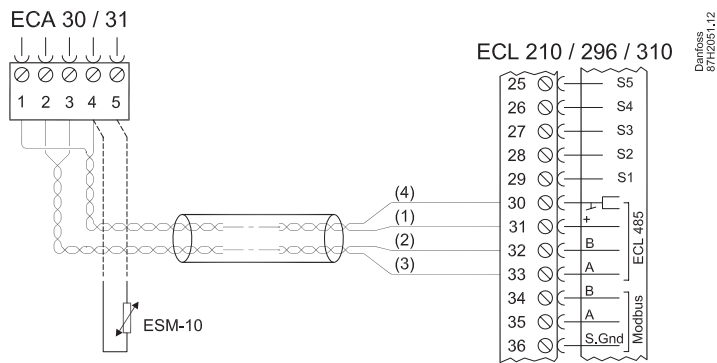


**S7, S8, S9**

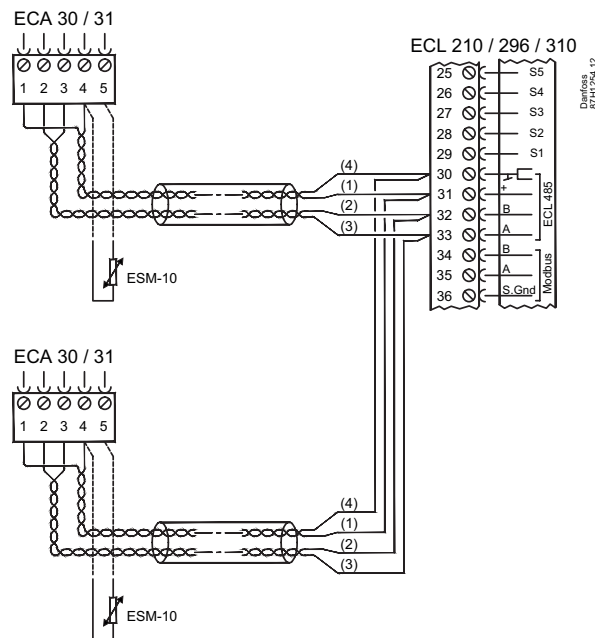
	S7	S8	S9
<b>A232.1</b>	✓	✓	
<b>A332.1</b>	✓	✓	
<b>A332.2</b>	✓	✓	
<b>A332.3</b>		✓	
<b>A332.4</b>	✓	✓	✓



ECA 30 / 31

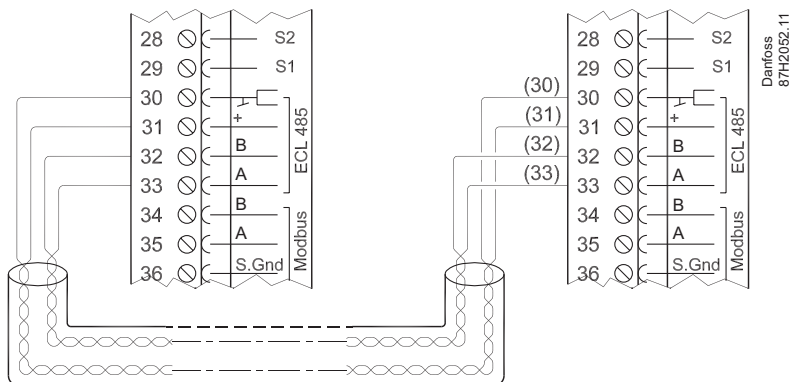


Danfoss  
87H2051.12



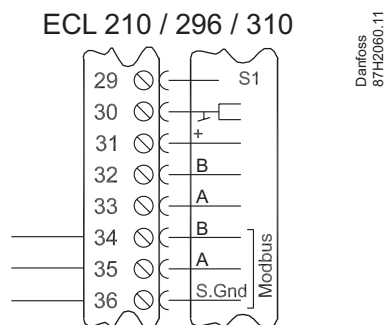
Danfoss  
87H2051.12

Master / slave

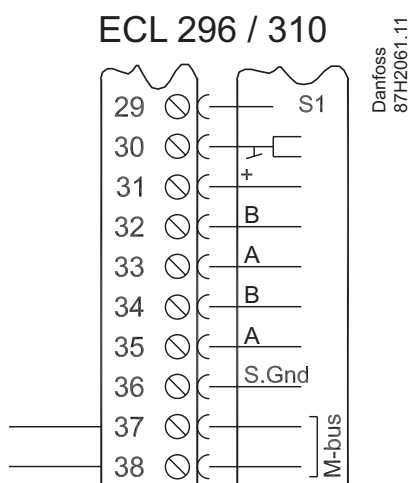


Danfoss  
87H2052.11

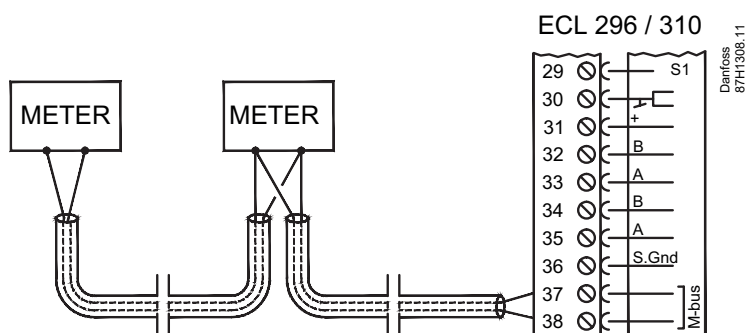
**Modbus**



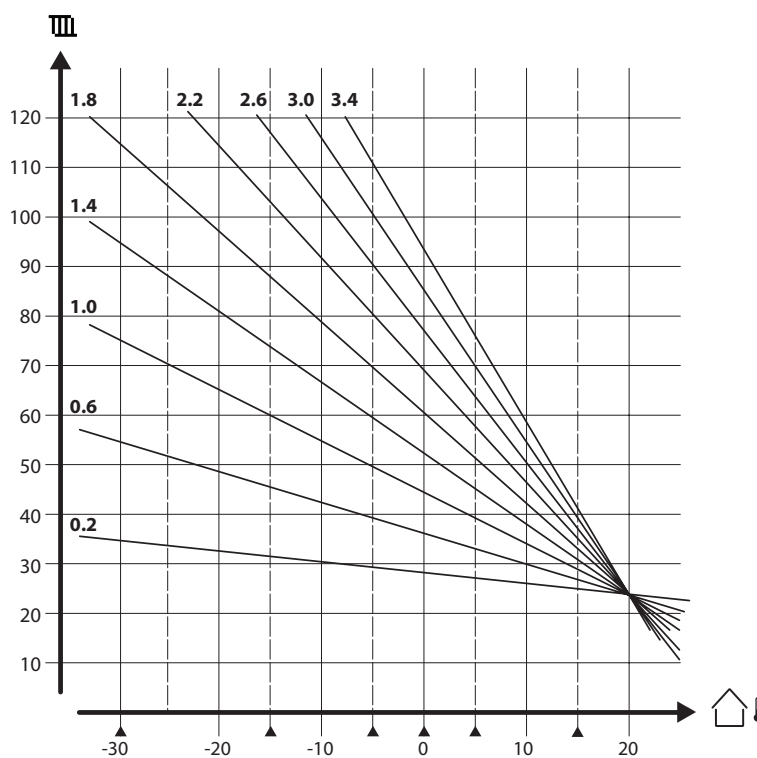
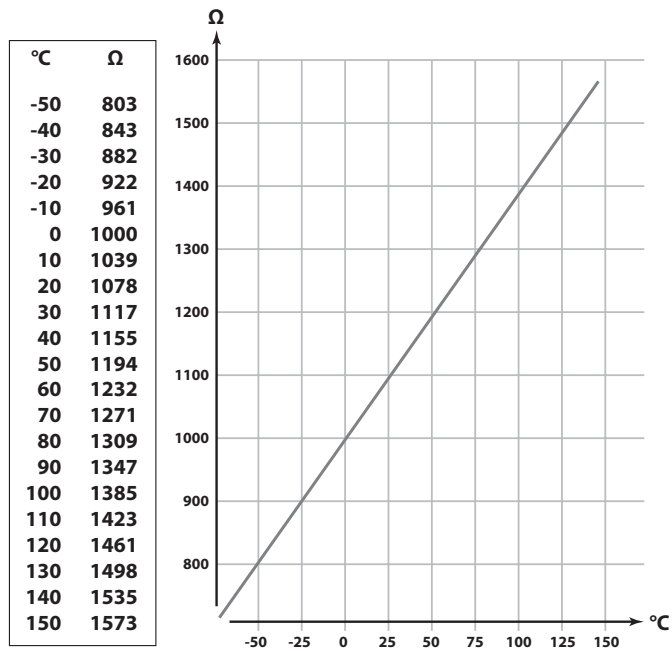
**M-bus**



**M-bus**

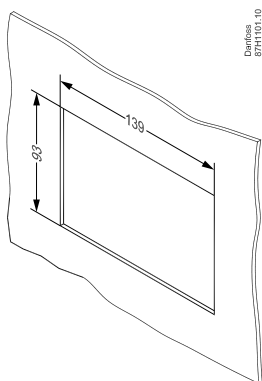


Pt 1000 (IEC 751B, 1000  $\Omega$  / 0  $^{\circ}\text{C}$ )

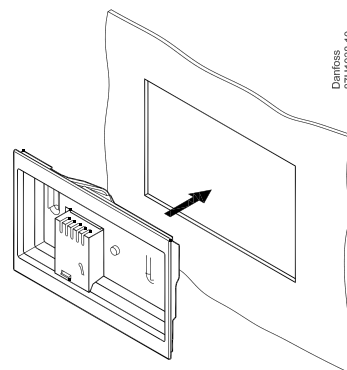


ECA 30

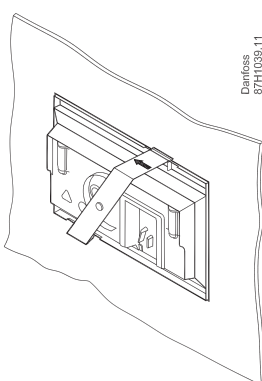
1



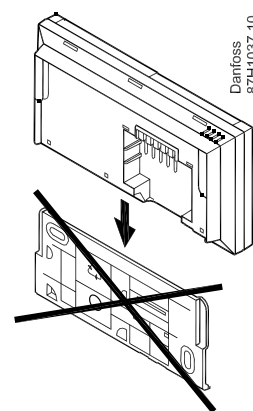
2



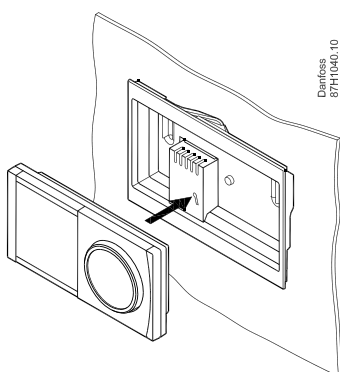
3



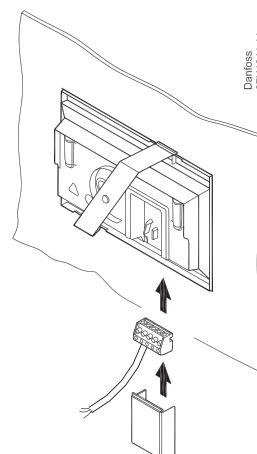
4



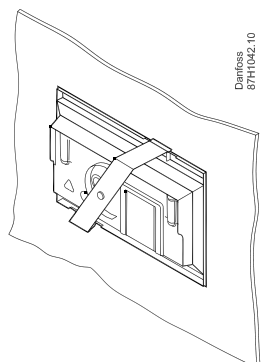
5



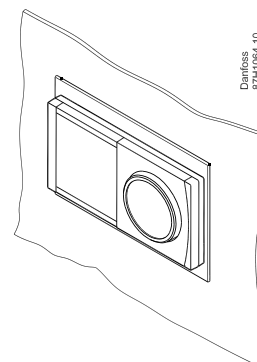
6



7



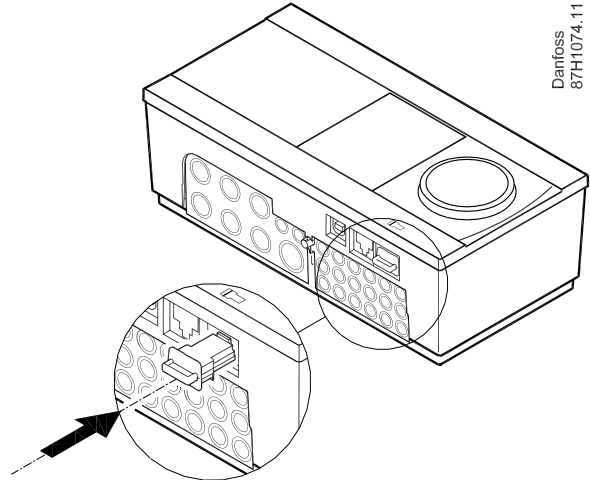
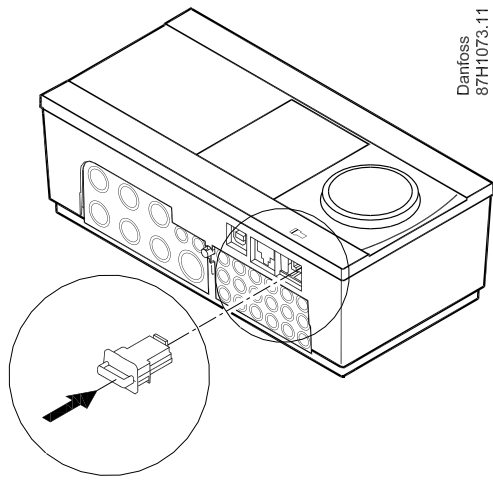
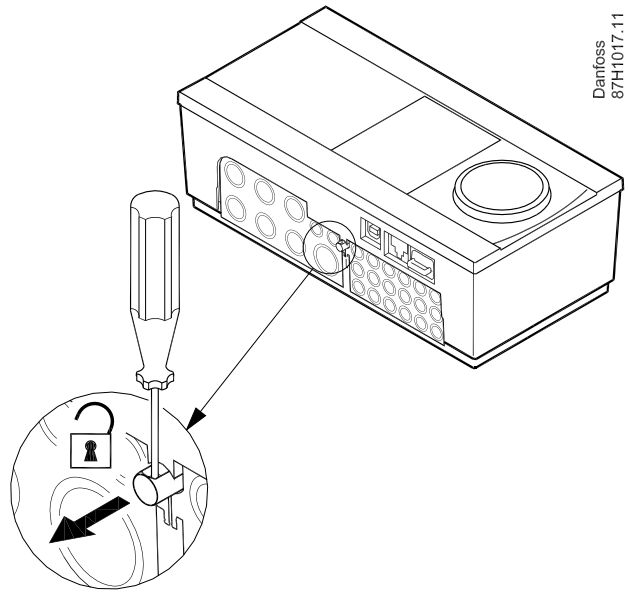
8







Installation Guide, ECL Comfort 210 / 296 / 310, A232 / A332



? **ECL Comfort 210 / 296 / 310, A232 / A332: [www.heating.danfoss.com](http://www.heating.danfoss.com)**



**Danfoss A/S**  
Heating Segment • [heating.danfoss.com](http://heating.danfoss.com) • +45 7488 2222 • E-Mail: [heating@danfoss.com](mailto:heating@danfoss.com)

Danfoss can accept no responsibility for possible errors in catalogues, brochures and other printed material. Danfoss reserves the right to alter its products without notice. This also applies to products already on order provided that such alterations can be made without subsequent changes being necessary in specifications already agreed. All trademarks in this material are property of the respective companies. Danfoss and all Danfoss logotypes are trademarks of Danfoss A/S. All rights reserved.