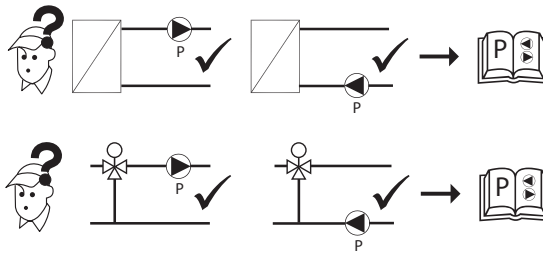
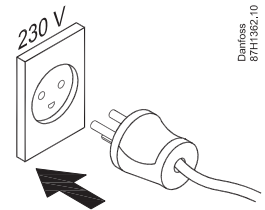
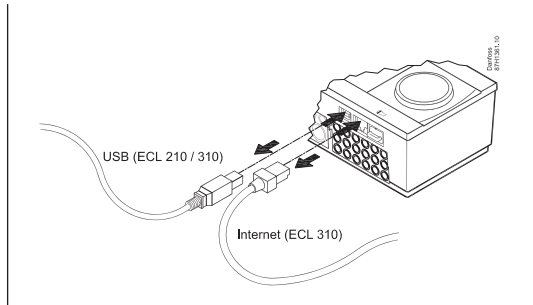
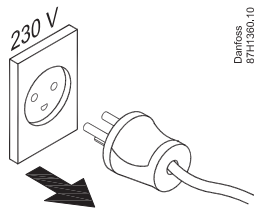
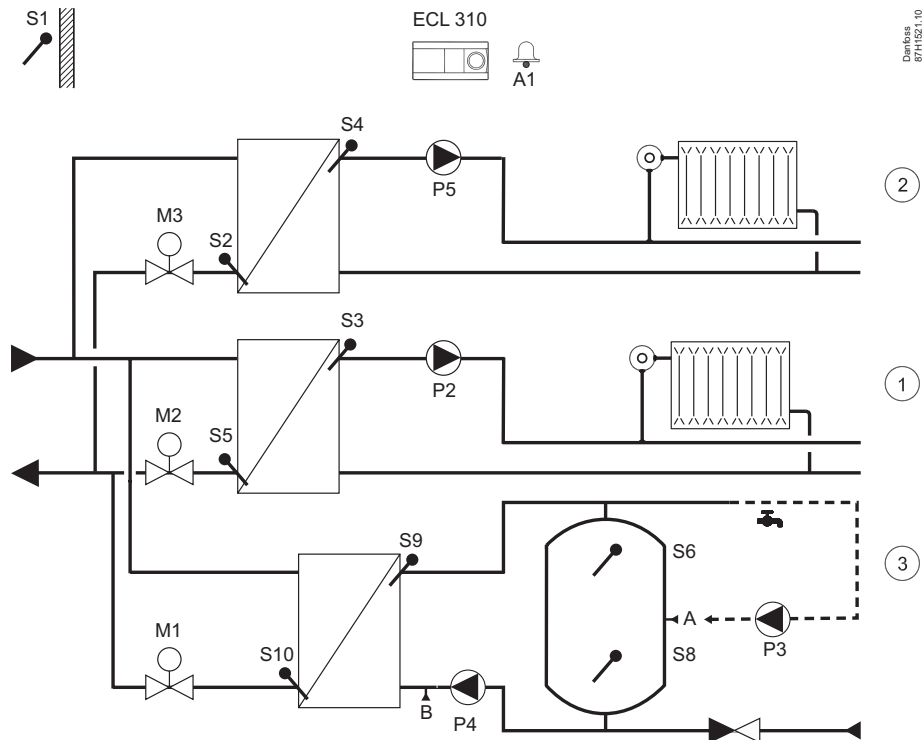


Installation Guide

ECL Comfort 310, A377 (code no. 087H3817)

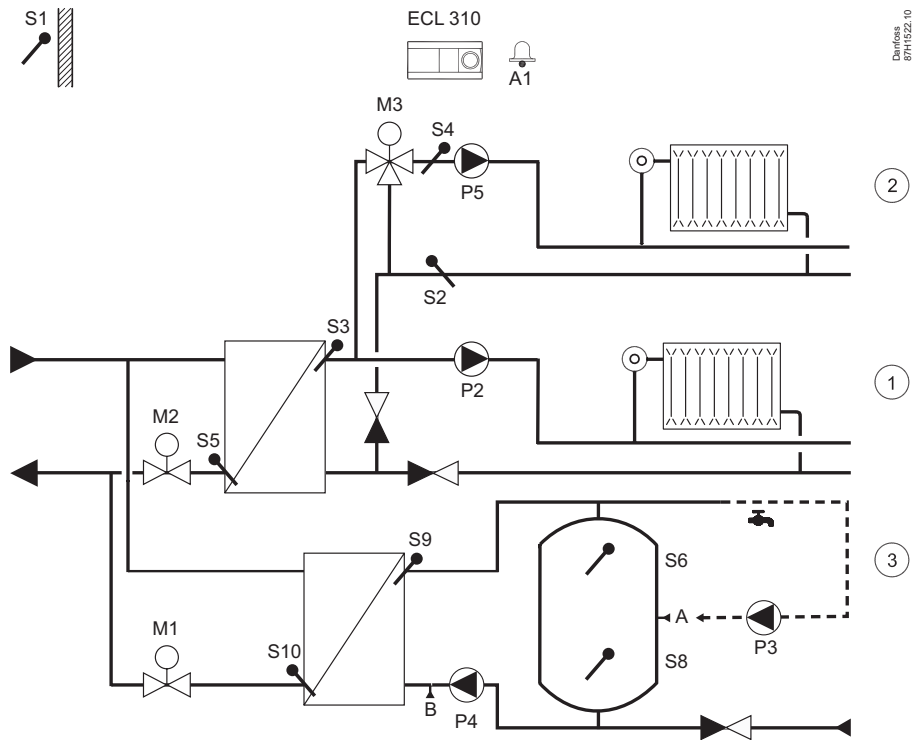


A377.1 (ex. a):

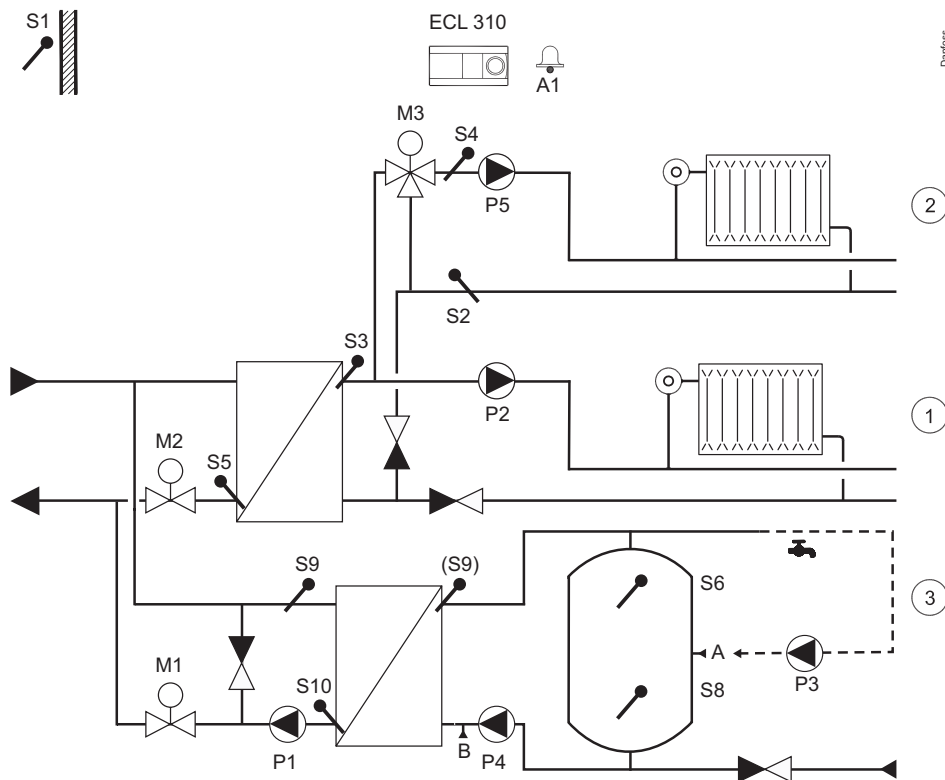


Installation Guide, ECL Comfort 310, A377

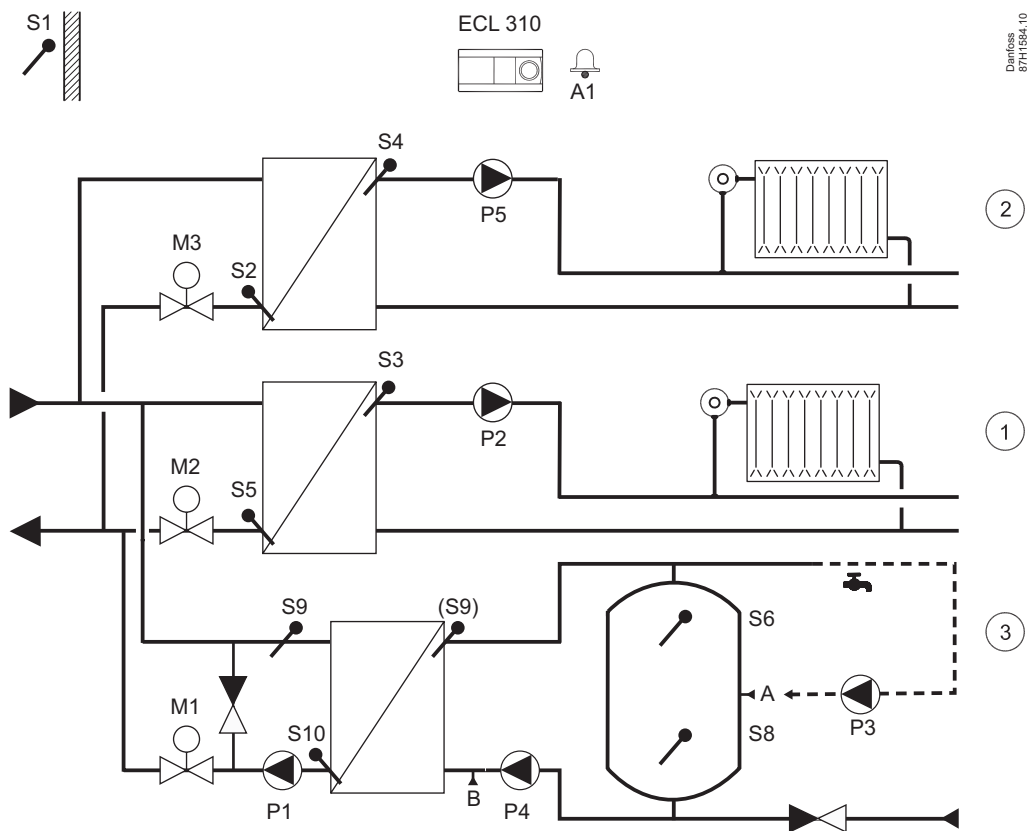
A377.1 (ex. b):



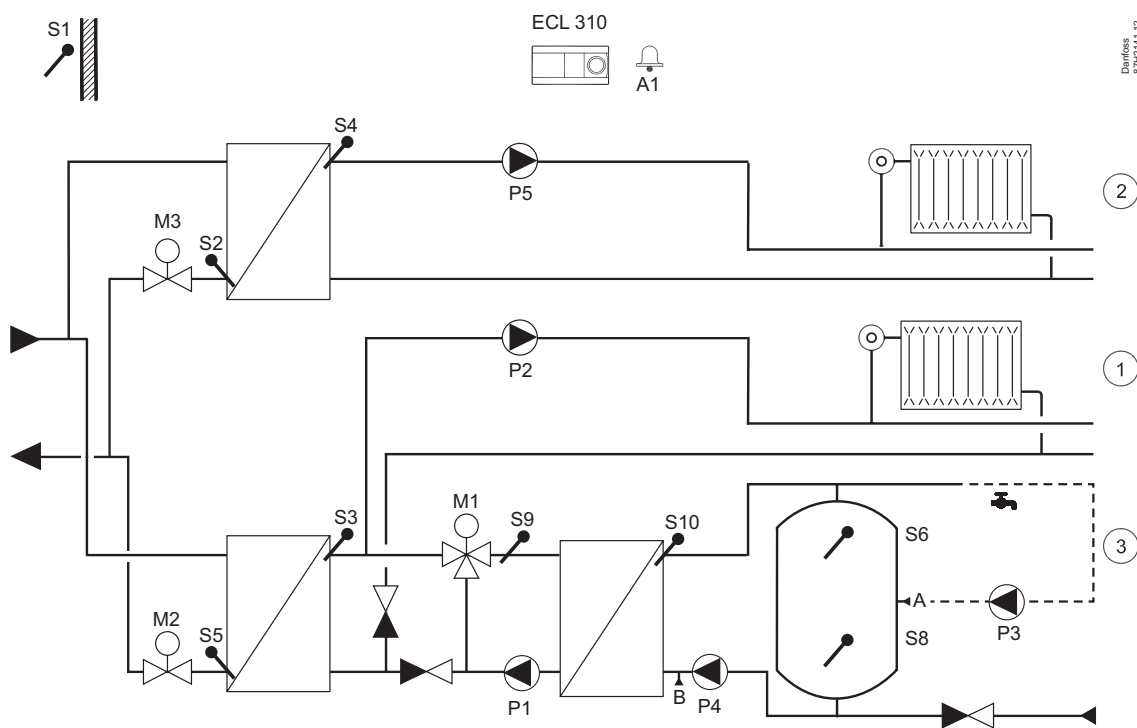
A377.1 (ex. c):



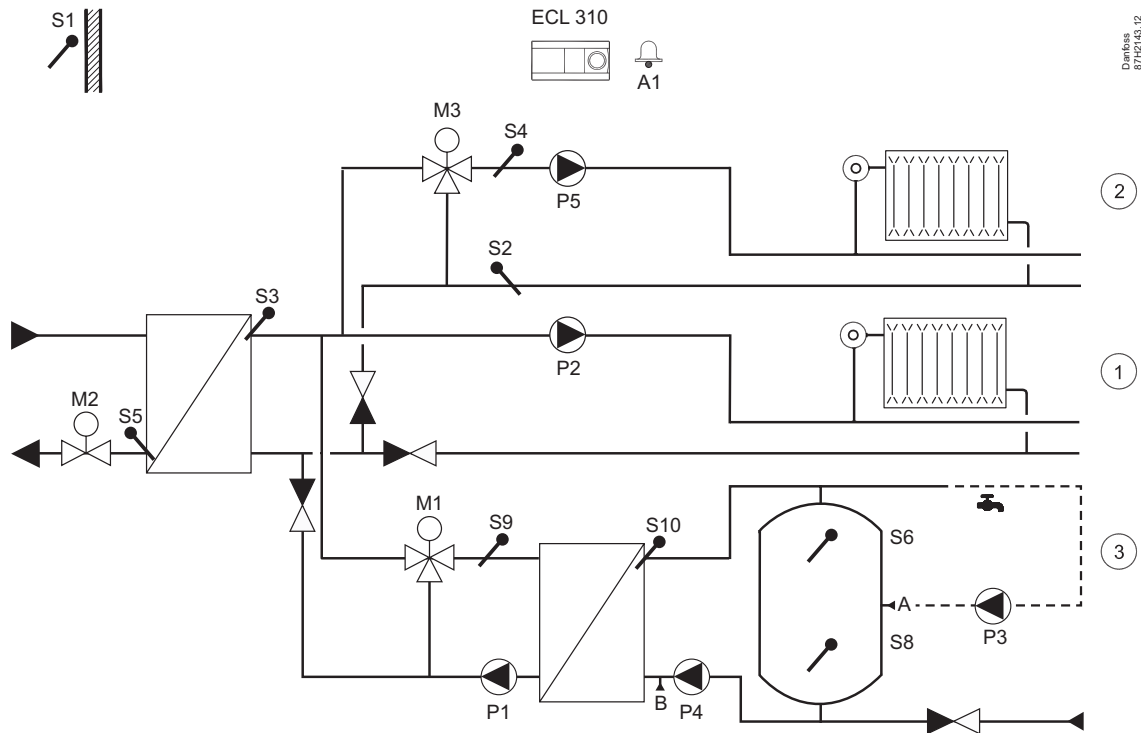
A377.1, ex. d:



A377.2 (ex. a):

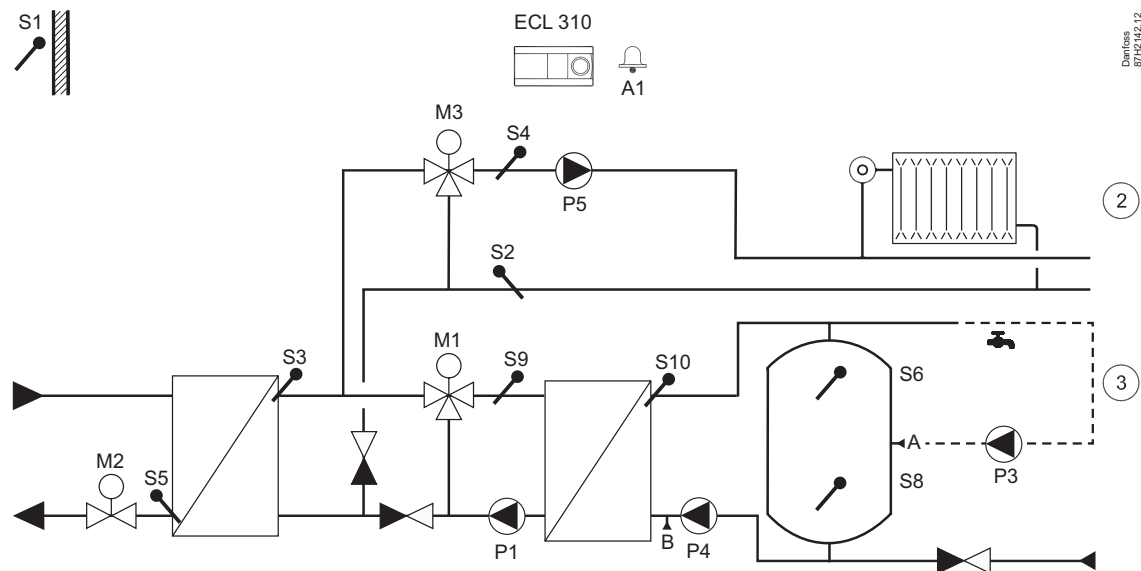


A377.2 (ex. b):



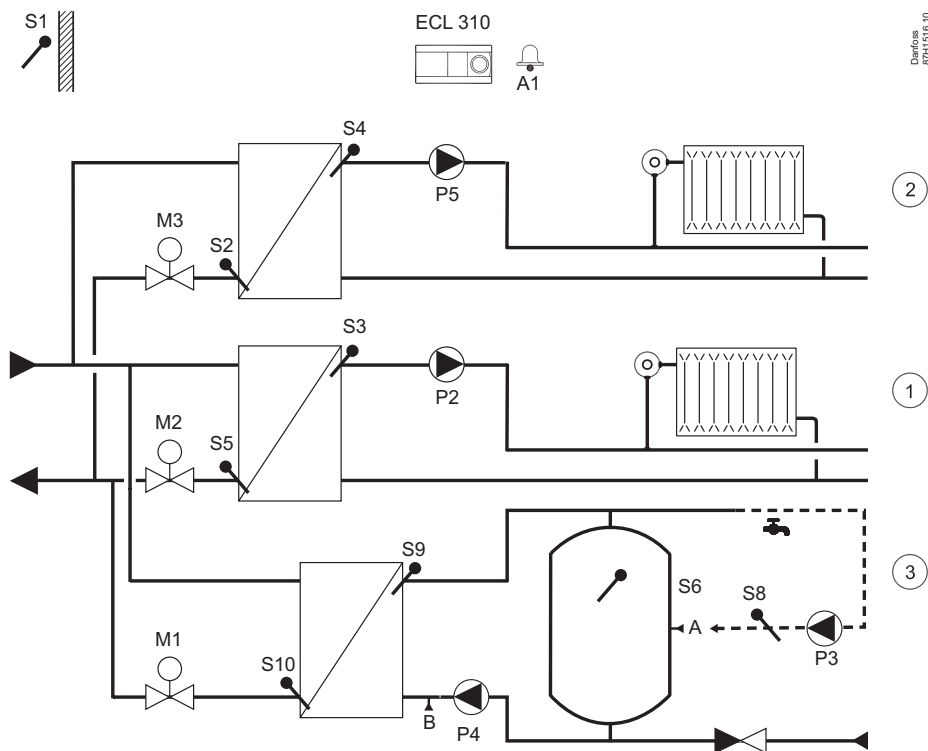
Danfoss
8712143.12

A377.2 (ex. c):

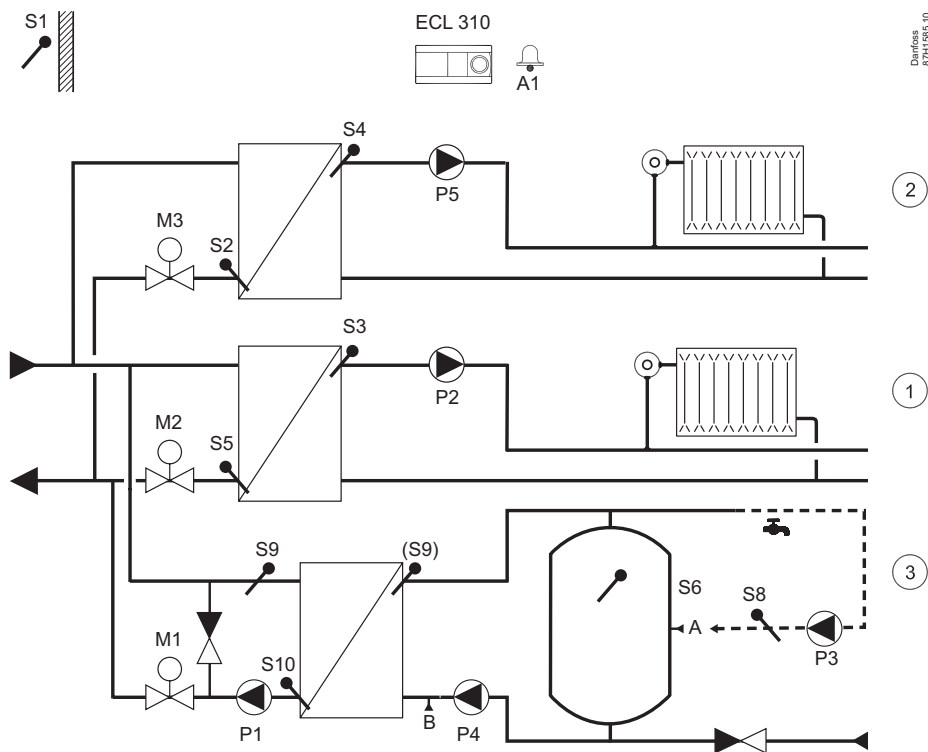


Danfoss
8712142.12

A377.3, ex. a:






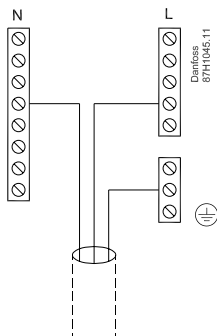
A377.3, ex. b:



ECL Comfort 210 / 310:

230 V a.c.

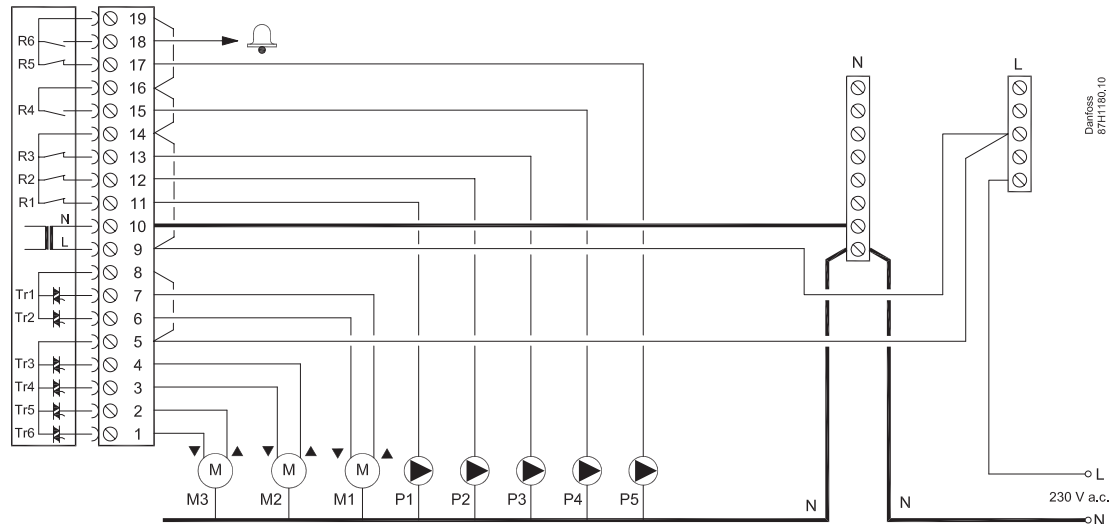
R 	4 (2) A / 230 V a.c.
R 	
Tr 	0,2 A / 230 V a.c.



230 V a.c.

	P1	P2	P3	P4	P5
A377.1, ex. a		✓	✓	✓	✓
A377.1, ex. b		✓	✓	✓	✓
A377.1, ex. c	✓	✓	✓	✓	✓
A377.1, ex. d	✓	✓	✓	✓	✓
A377.2, ex. a	✓	✓	✓	✓	✓
A377.2, ex. b	✓	✓	✓	✓	✓
A377.2, ex. c	✓		✓	✓	✓
A377.3, ex. a	✓	✓	✓	✓	✓
A377.3, ex. b	✓	✓	✓ </td <td>✓</td> <td>✓</td>	✓	✓

ECL 310/230 V a.c.



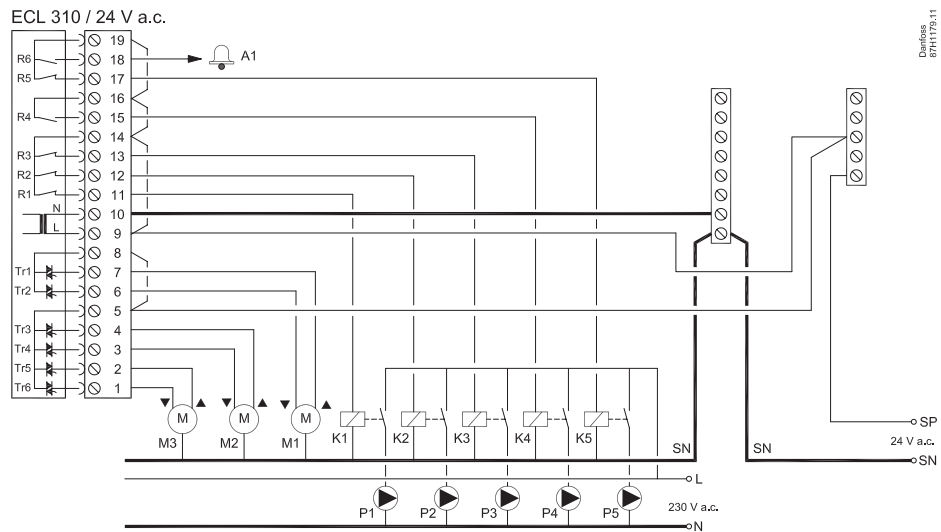
Installation Guide, ECL Comfort 310, A377

ECL Comfort 210 / 310:
24 V a.c.

R		4 (2) A / 24 V a.c.
Tr		1 A / 24 V a.c.

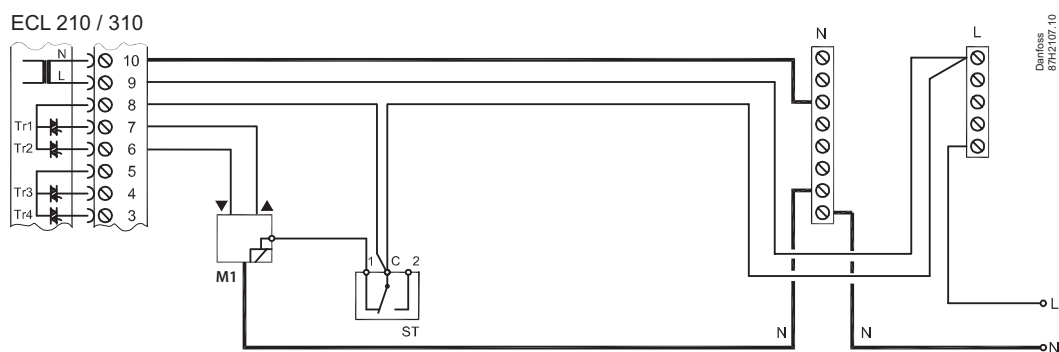
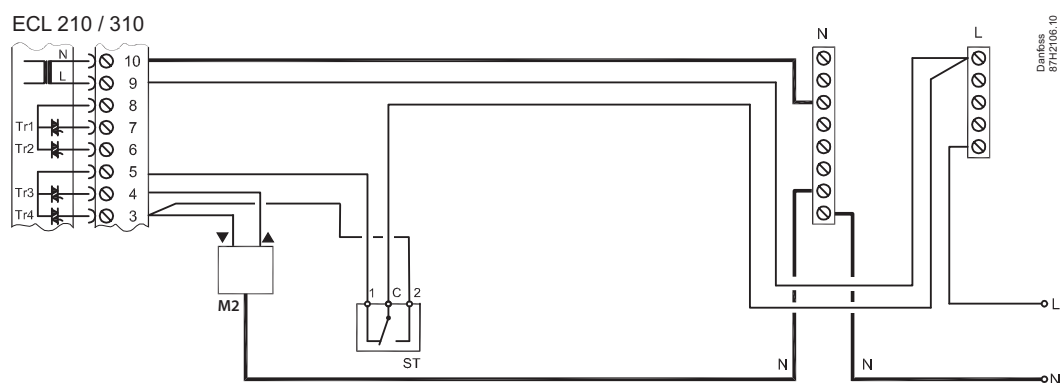
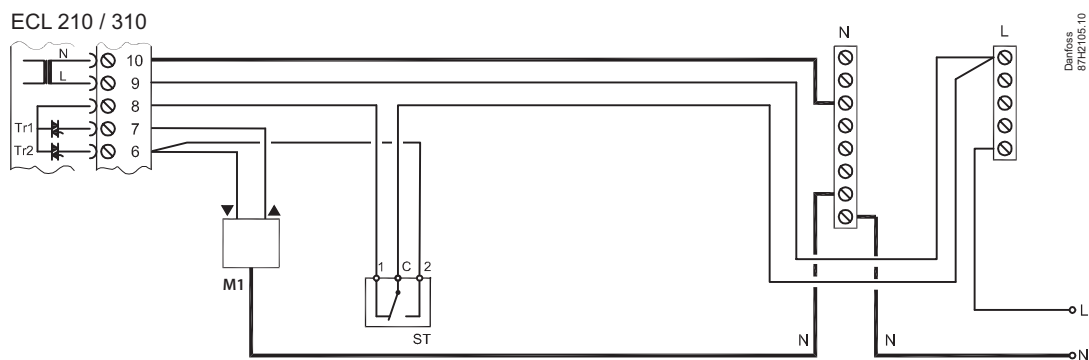
24 V a.c.

	P1	P2	P3	P4	P5
A377.1, ex. a		✓	✓	✓	✓
A377.1, ex. b		✓	✓	✓	✓
A377.1, ex. c	✓	✓	✓	✓	✓
A377.1, ex. d	✓	✓	✓	✓	✓
A377.2, ex. a	✓	✓	✓	✓	✓
A377.2, ex. b	✓	✓	✓	✓	✓
A377.2, ex. c	✓		✓	✓	✓
A377.3, ex. a	✓	✓	✓	✓	✓
A377.3, ex. b	✓	✓	✓	✓	✓



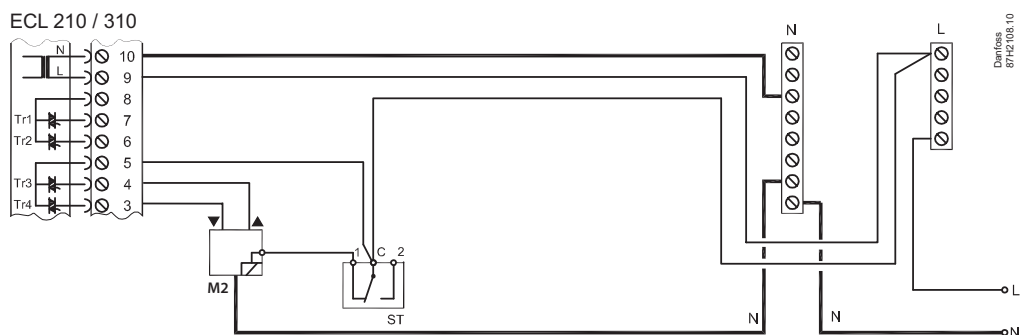
24 V a.c. / 230 V a.c. safety thermostat

1-step closing



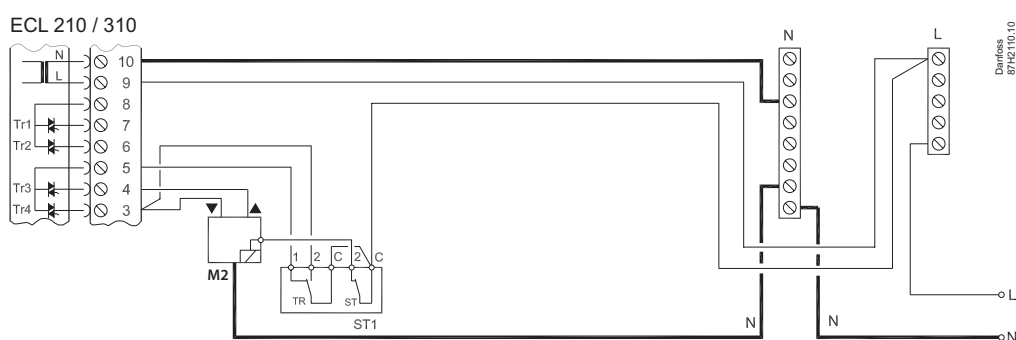
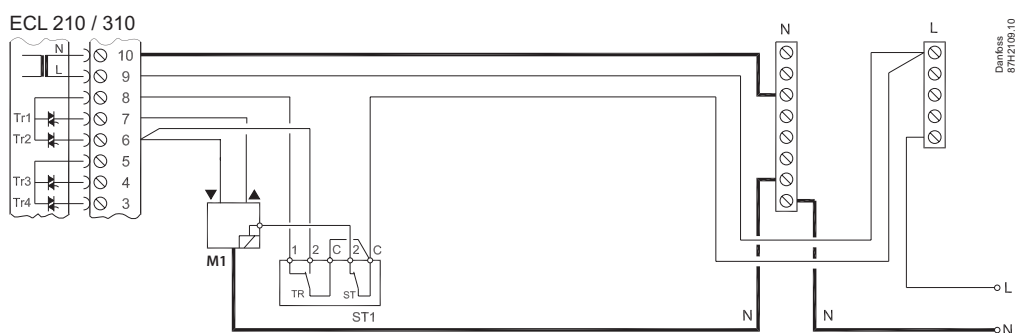
24 V a.c. / 230 V a.c. safety thermostat

1-step closing



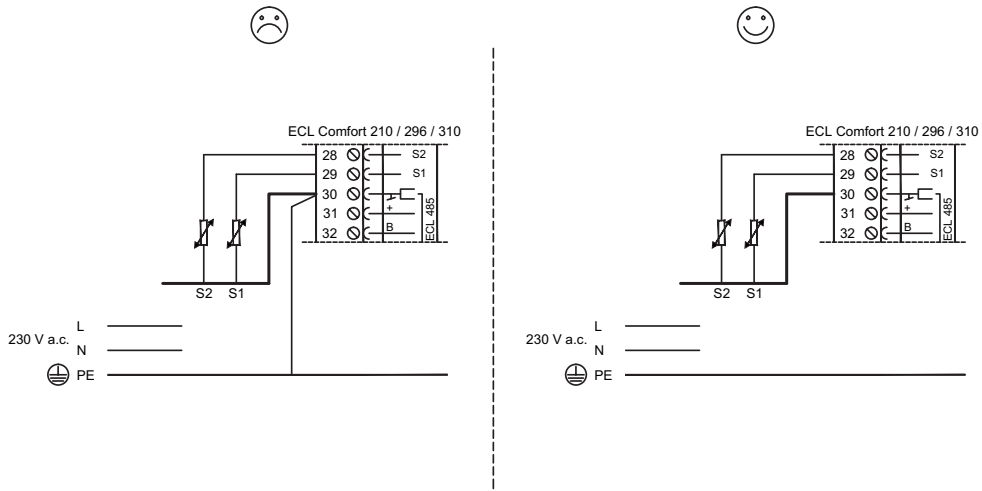
24 V a.c. / 230 V a.c. safety thermostat

2-step closing

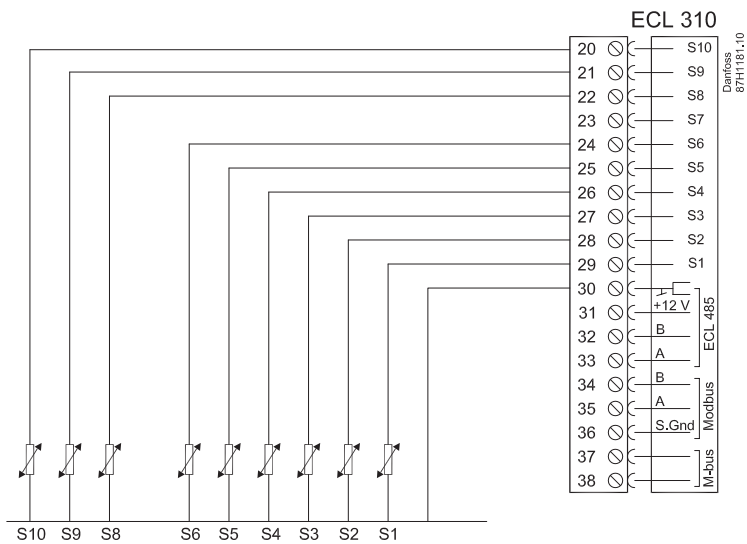


Installation Guide, ECL Comfort 310, A377

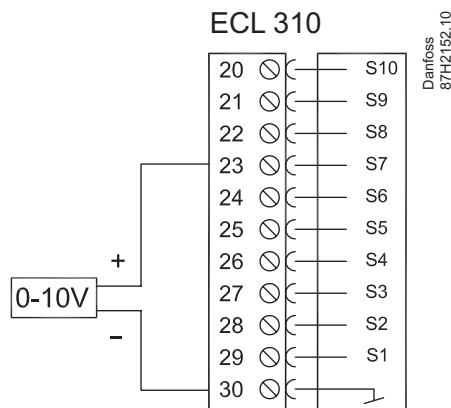
Pt 1000 (1000 Ω / 0 °C)



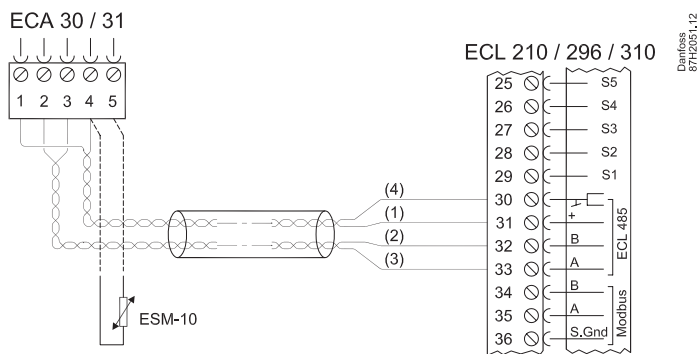
Danfoss
87H1487.11



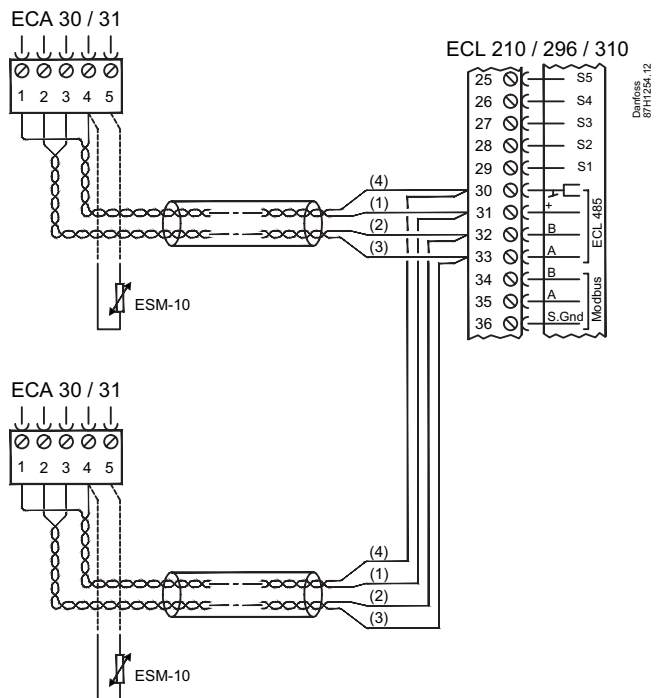
S7:0 - 10V



ECA 30 / 31

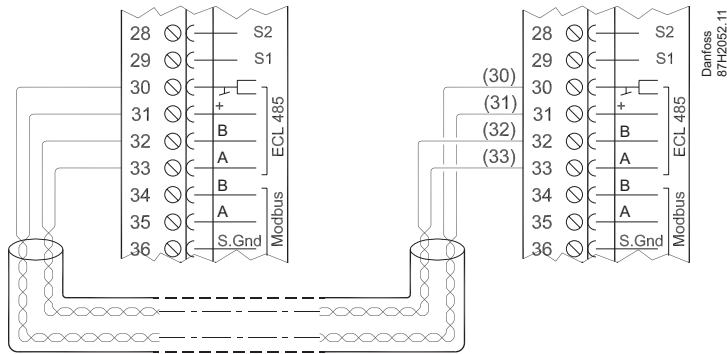


Danfoss
8PH2651-12

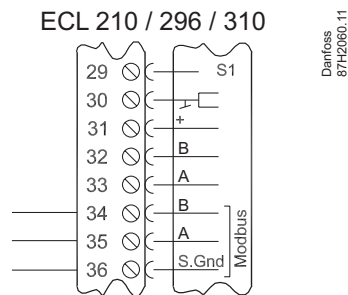


Danfoss
8PH1254-12

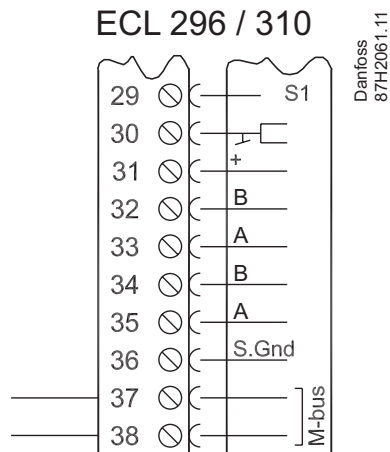
Master / slave



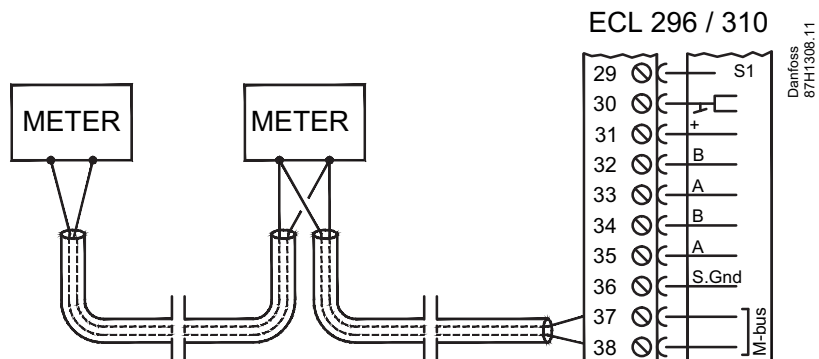
Modbus



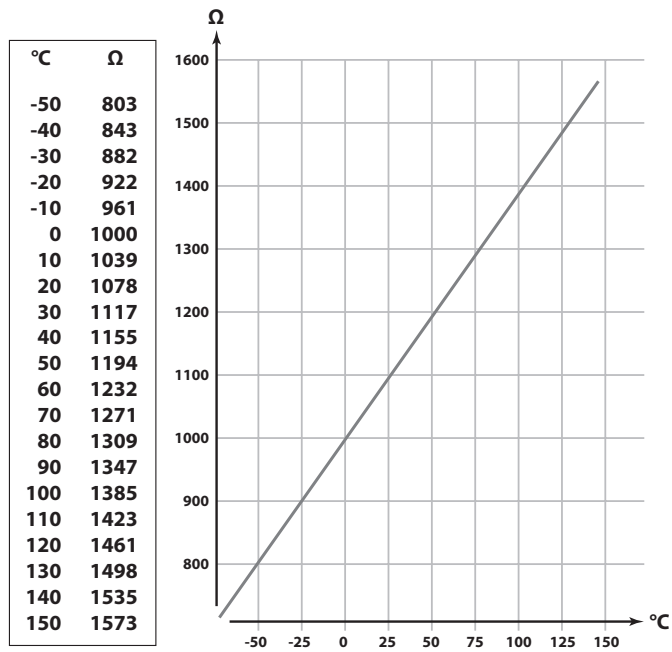
M-bus



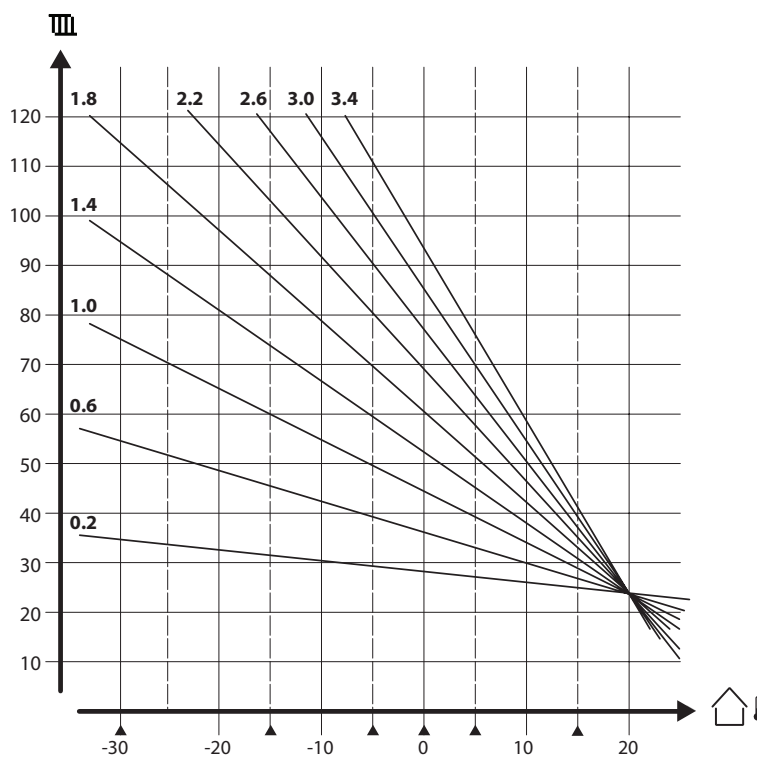
M-bus



Pt 1000 (IEC 751B, 1000 Ω / 0 $^{\circ}\text{C}$)



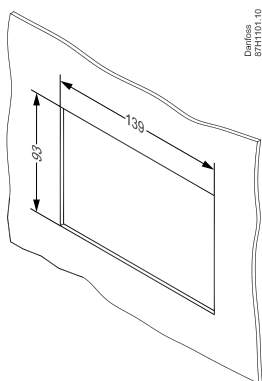
Heat curves



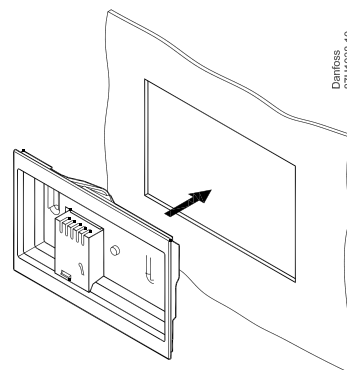
Installation Guide, ECL Comfort 310, A377

ECA 30

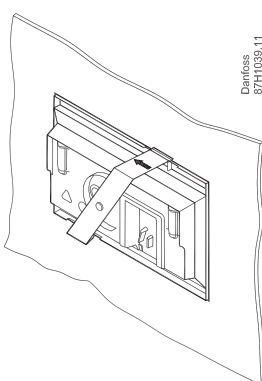
1



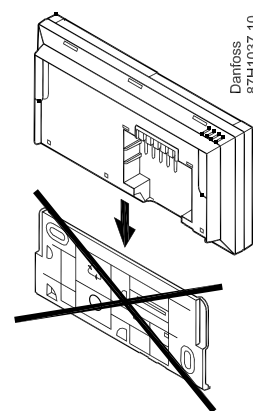
2



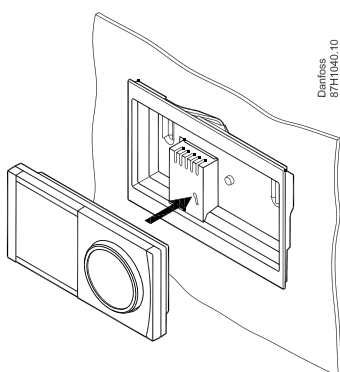
3



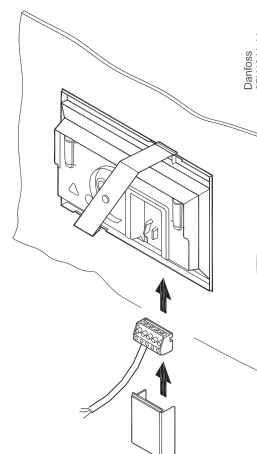
4



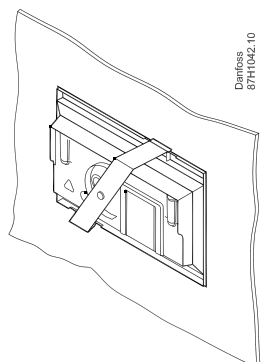
5



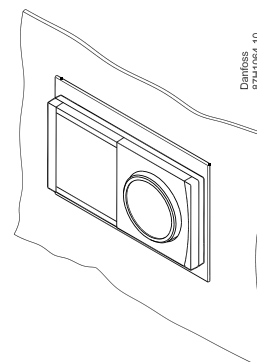
6



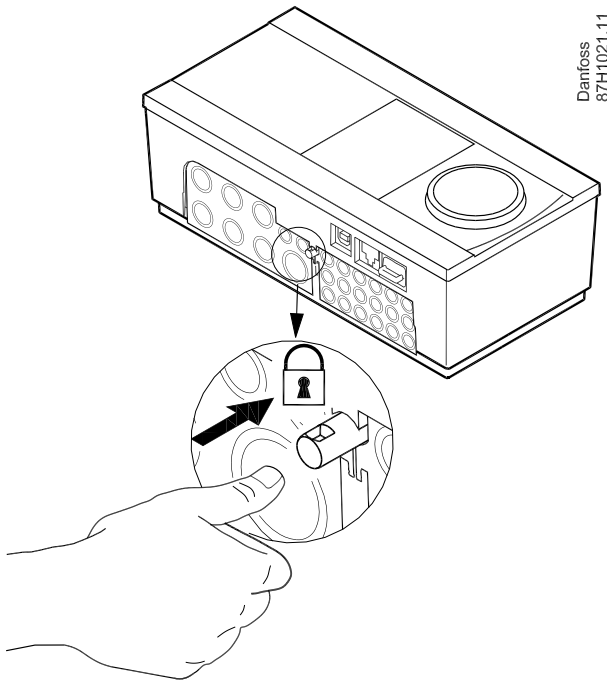
7



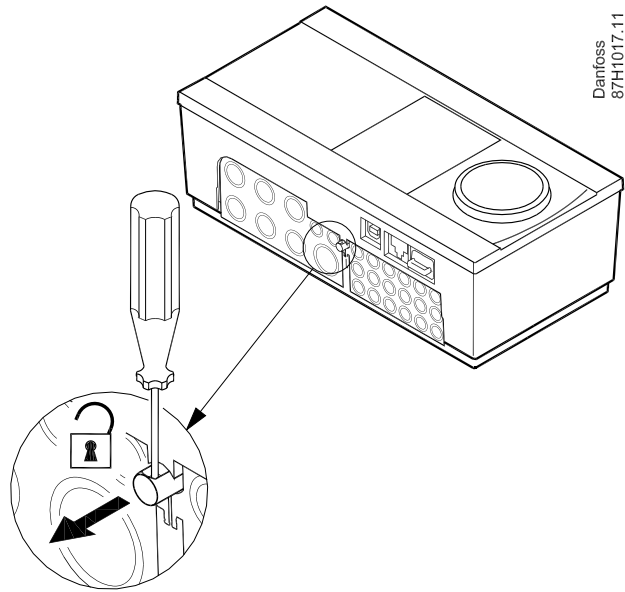
8



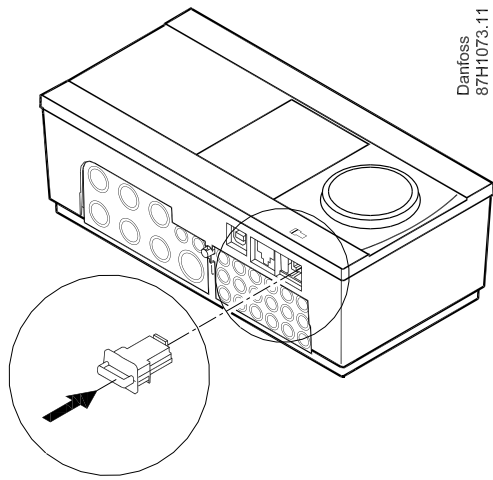
Installation Guide, ECL Comfort 310, A377



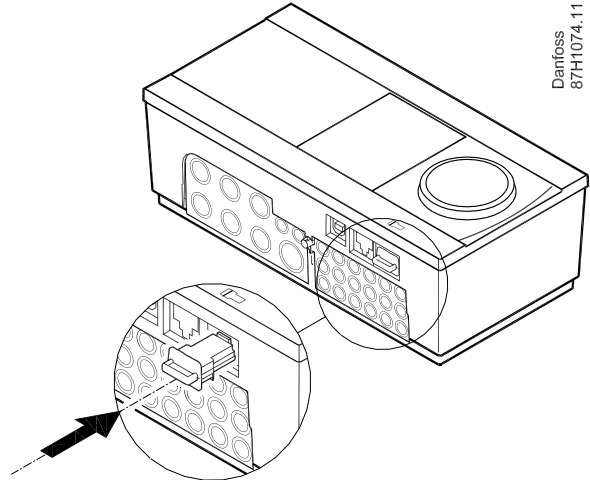
Danfoss
87H1021.11



Danfoss
87H1017.11



Danfoss
87H1073.11



Danfoss
87H1074.11

? **ECL Comfort 310, A377: www.heating.danfoss.com**



Danfoss A/S
Heating Segment • heating.danfoss.com • +45 7488 2222 • E-Mail: heating@danfoss.com

Danfoss can accept no responsibility for possible errors in catalogues, brochures and other printed material. Danfoss reserves the right to alter its products without notice. This also applies to products already on order provided that such alterations can be made without subsequential changes being necessary in specifications already agreed. All trademarks in this material are property of the respective companies. Danfoss and all Danfoss logotypes are trademarks of Danfoss A/S. All rights reserved.