

1 JP 4-47 PT-H BBVP



: 99594664

: Grundfos JP 4-47 PT-H

Grundfos JP,

Grundfos GT-H

20

JP 4-47 PT-H

2,2

8

JP

: 0 .. 40 °C

: 20 °C

: 998.2 / 3

: 4 3/

: 41

: BBVP

: CE,EAC

- : ISO9906:2012 3B

Adjustable start pressure: Y
 : 1.0 - 5.0
 : 2800 /

c : EN 1.4301
 : AISI 304

: 0 °C

Maximum ambient temperature: 40 °C
 : PN 6
 : G 1
 : G 1

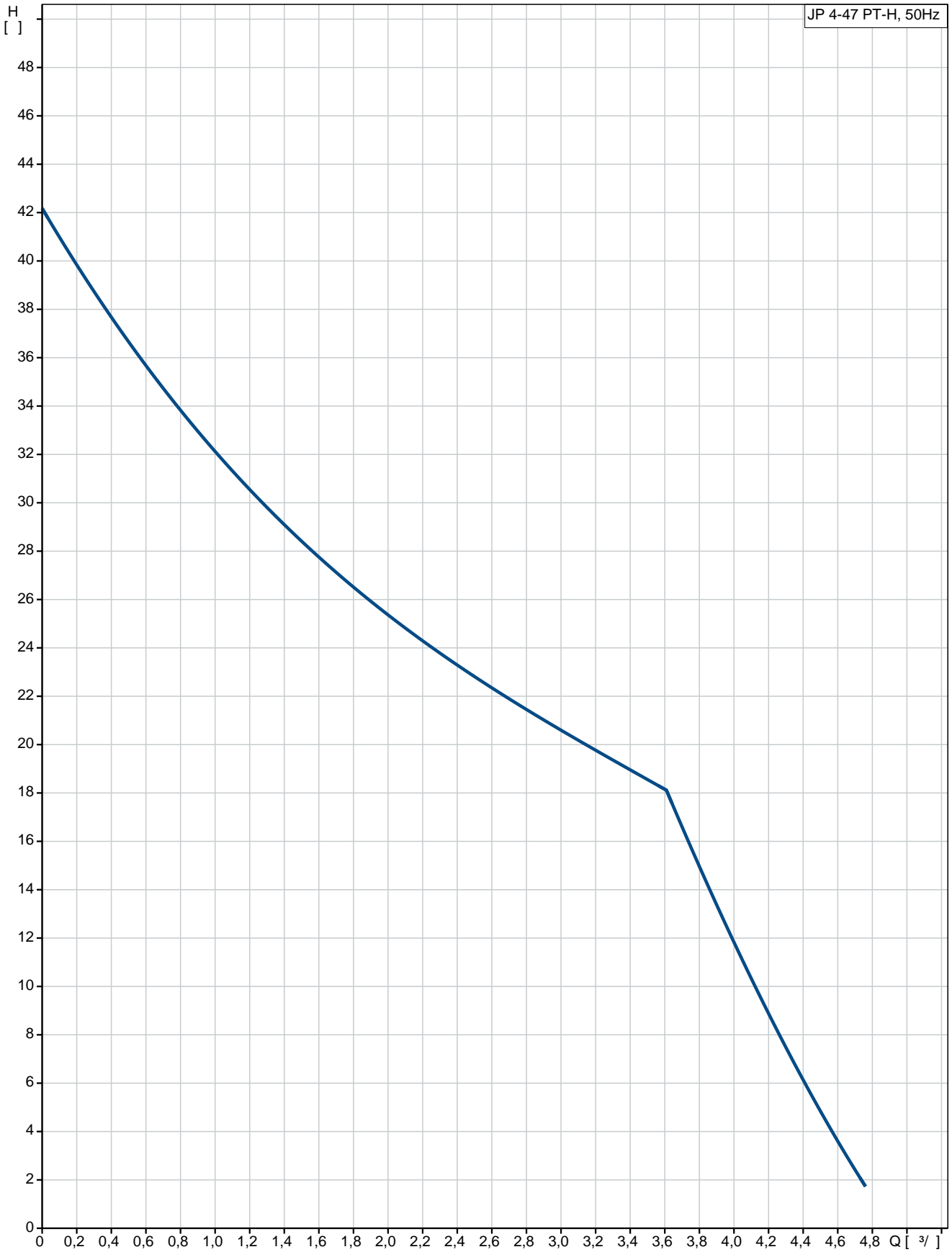
- P1: 850
 : 50 Hz
 : 1 x 230
 : 3.8 A
 : 11.3 A
 - : 13 /450
 (IEC 34-5): IP44
 (IEC 85): F

Length of cable: 1.5
 : SCHUKO

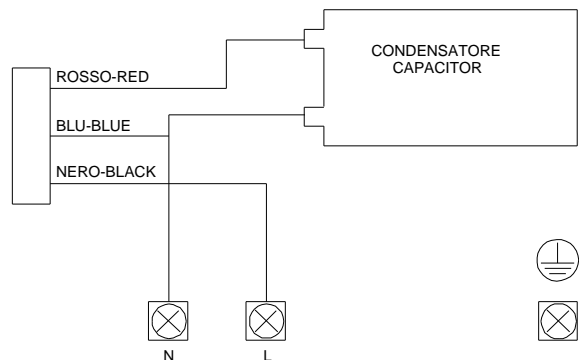
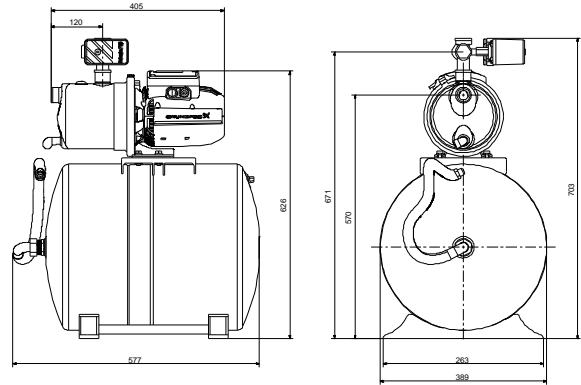
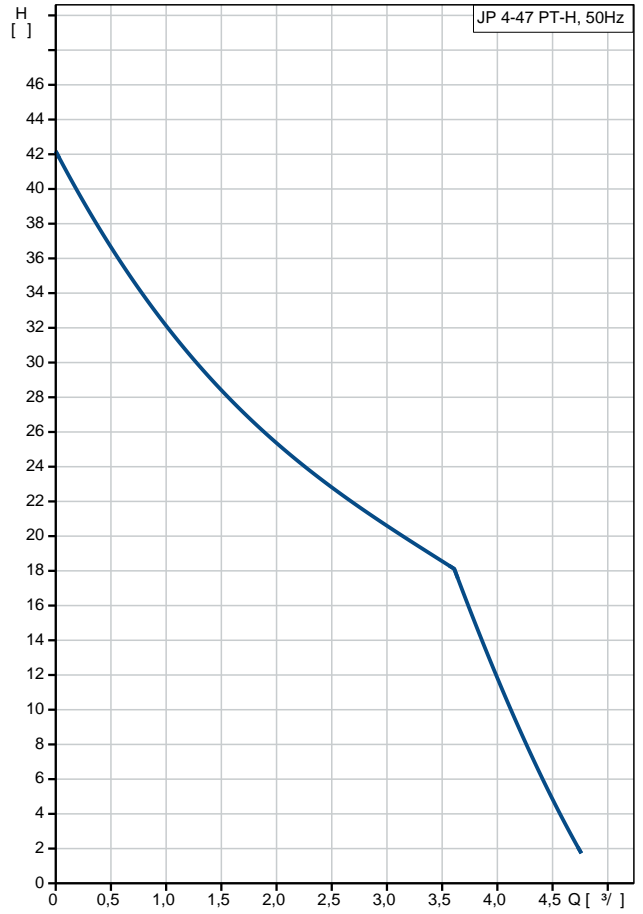
: 60

: 29
 : 32

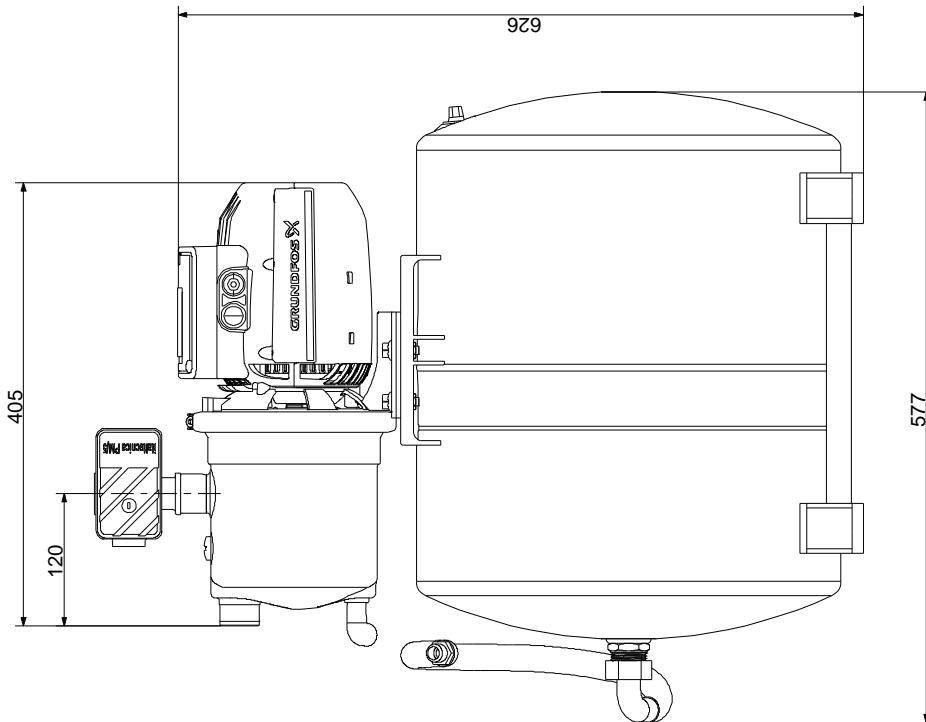
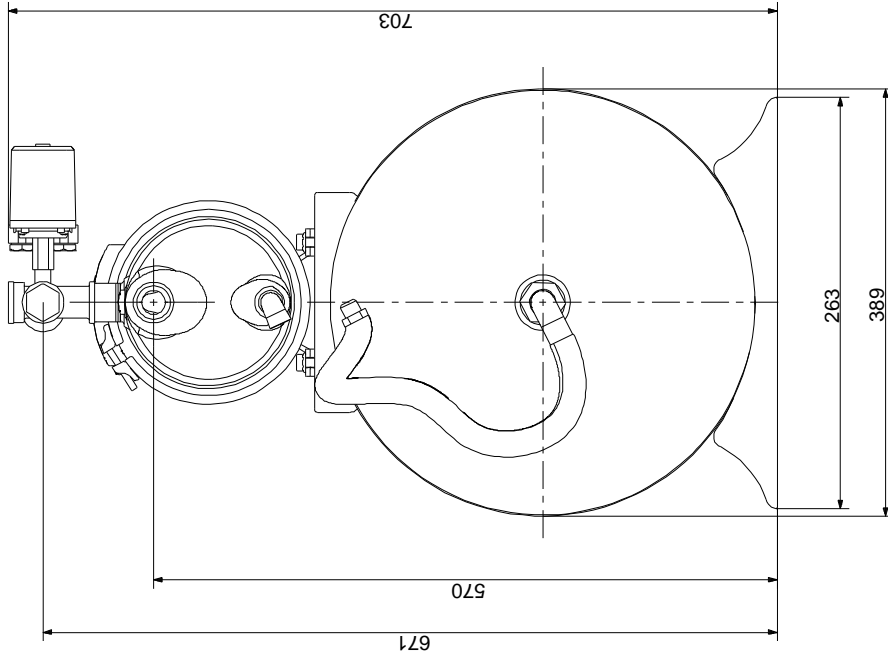
99594664 JP 4-47 PT-H BBVP 50



| | |
|------------------------------|-------------------|
| | JP 4-47 PT-H BBVP |
| | 99594664 |
| EAN | 5713831612933 |
| | 4 3/4 |
| | 41 |
| | BBVP |
| | CE,EAC |
| | ISO9906:2012 3B |
| Adjustable start pressure: | Y |
| | 1.0 - 5.0 |
| | 2800 / |
| | |
| | |
| | EN 1.4301 |
| | AISI 304 |
| | |
| | 0 °C |
| Maximum ambient temperature: | 40 °C |
| | PN 6 |
| | G 1 |
| | G 1 |
| | |
| | 0 .. 40 °C |
| | 20 °C |
| | 998.2 / 3 |
| | |
| - P1: | 850 |
| | 50 Hz |
| | 1 x 230 |
| | 3.8 A |
| | 11.3 A |
| | 13 /450 |
| (IEC 34-5): | IP44 |
| (IEC 85): | F |
| Length of cable: | 1.5 |
| | SCHUKO |
| | |
| | 60 |
| | |
| | 29 |
| | 32 |



99594664 JP 4-47 PT-H BBVP 50



! []