

1 JP 5-48 PT-H BBVP



: [99463877](#)

: Grundfos JP 5-48 PT-H Grundfos JP, Grundfos GT-H

20

JP 5-48 PT-H

2,2

8

JP

: 0 .. 40 °C
: 20 °C
: 998.2 / 3

: 5 3/
: 45.6
: BBVP
: CE, EAC
: ISO9906:2012 3B

Adjustable start pressure: Y

: 1.0 - 5.0
: 2800 /

c : EN 1.4301
AISI 304

: 0 °C

Maximum ambient temperature: 40 °C

: PN 6
: G 1
: G 1

- P1: 1490
: 50 Hz
: 1 x 230
: 6.6 A
: 27.9 A
- : 25 /450
(IEC 34-5): IP44
(IEC 85): F

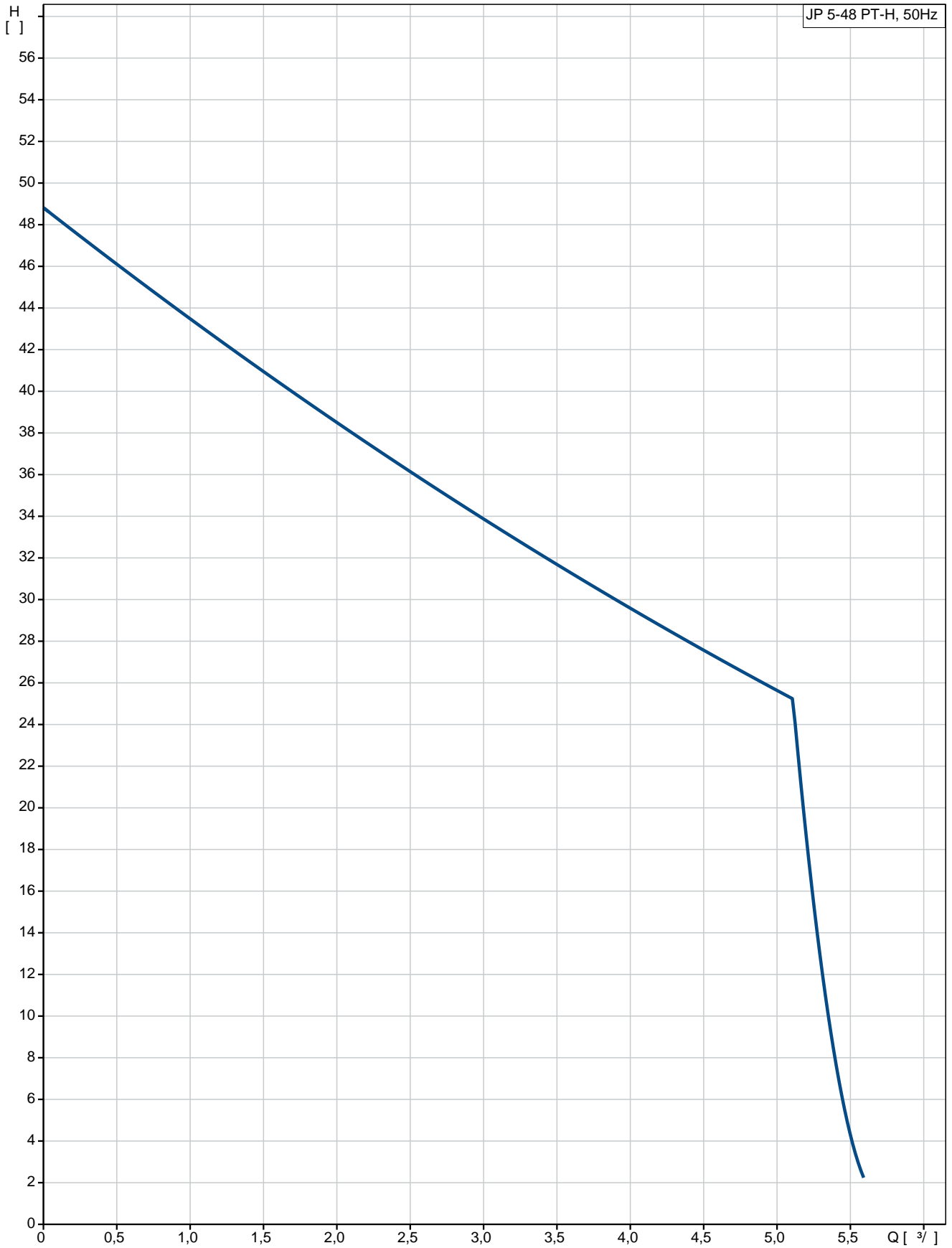
Length of cable: 1.5
: SCHUKO

: 20

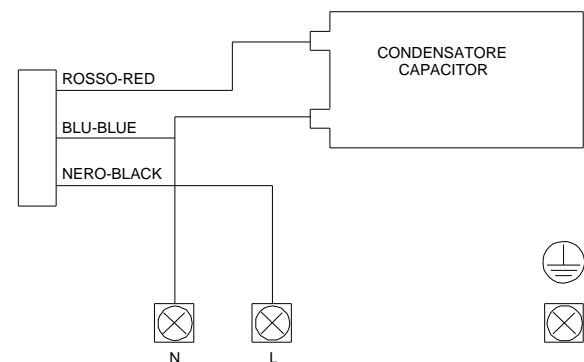
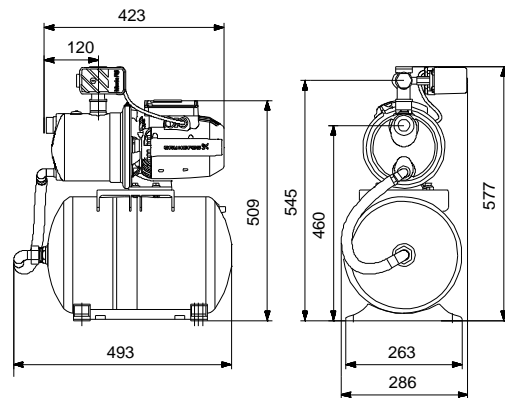
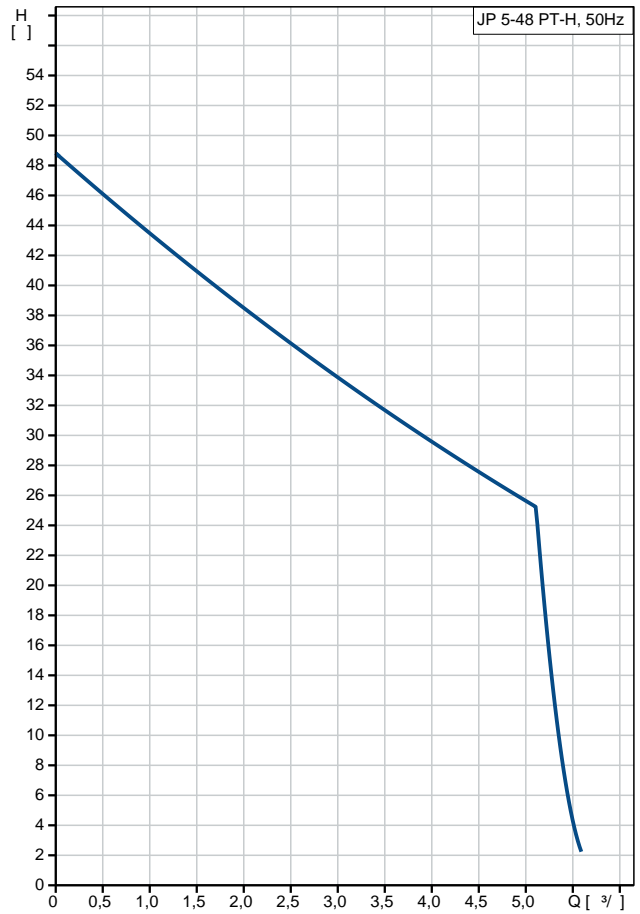
: 18
: 21

Swedish RSK No.: 5928697
Finnish LVI No.: 4732542
Norwegian NRF no.: 9040042
C : HU
: 8413705100

99463877 JP 5-48 PT-H BBVP 50



	JP 5-48 PT-H BBVP
	99463877
EAN	5713829542471
	5 3/4
	45.6
	BBVP
	CE,EAC
	ISO9906:2012 3B
Adjustable start pressure:	Y
	1.0 - 5.0
	2800 /
	EN 1.4301
	AISI 304
	0 °C
Maximum ambient temperature:	40 °C
	PN 6
	G 1
	G 1
	0 .. 40 °C
	20 °C
	998.2 / 3
	1490
- P1:	50 Hz
	1 x 230
	6.6 A
	27.9 A
	25 /450
(IEC 34-5):	IP44
(IEC 85):	F
Length of cable:	1.5
	SCHUKO
	20
	18
	21
Swedish RSK No.:	5928697
Finnish LVI No.:	4732542
Norwegian NRF no.:	9040042
C	HU
	8413705100



99463877 JP 5-48 PT-H BBVP 50

