

1 JP 5-48 S-BBVP



: 99458769

Grundfos JP 5-48 S-BBVP

JP

JP

JP

8

JP

: 0 .. 40 °C
 : 20 °C
 : 998.2 / ³

: 5 ³/_l
 : BBVP
 : CE,EAC
 - : ISO9906:2012 3B
 : 2800 /

EN 1.4301
 AISI 304

: 0 .. 40 °C

: 6
 Maximum permissible inlet pressure: 1
 : G1

G1

- P1: 1490

- P2: 1.014

: 50 Hz

: 1 x 230

: 6.6 A

: 27.9 A

- : 25 /450

(IEC 34-5): IP44

(IEC 85): F

: SCHUKO

12

14

0.026 ³

Danish VVS No.: 385534050

Swedish RSK No.: 5928696

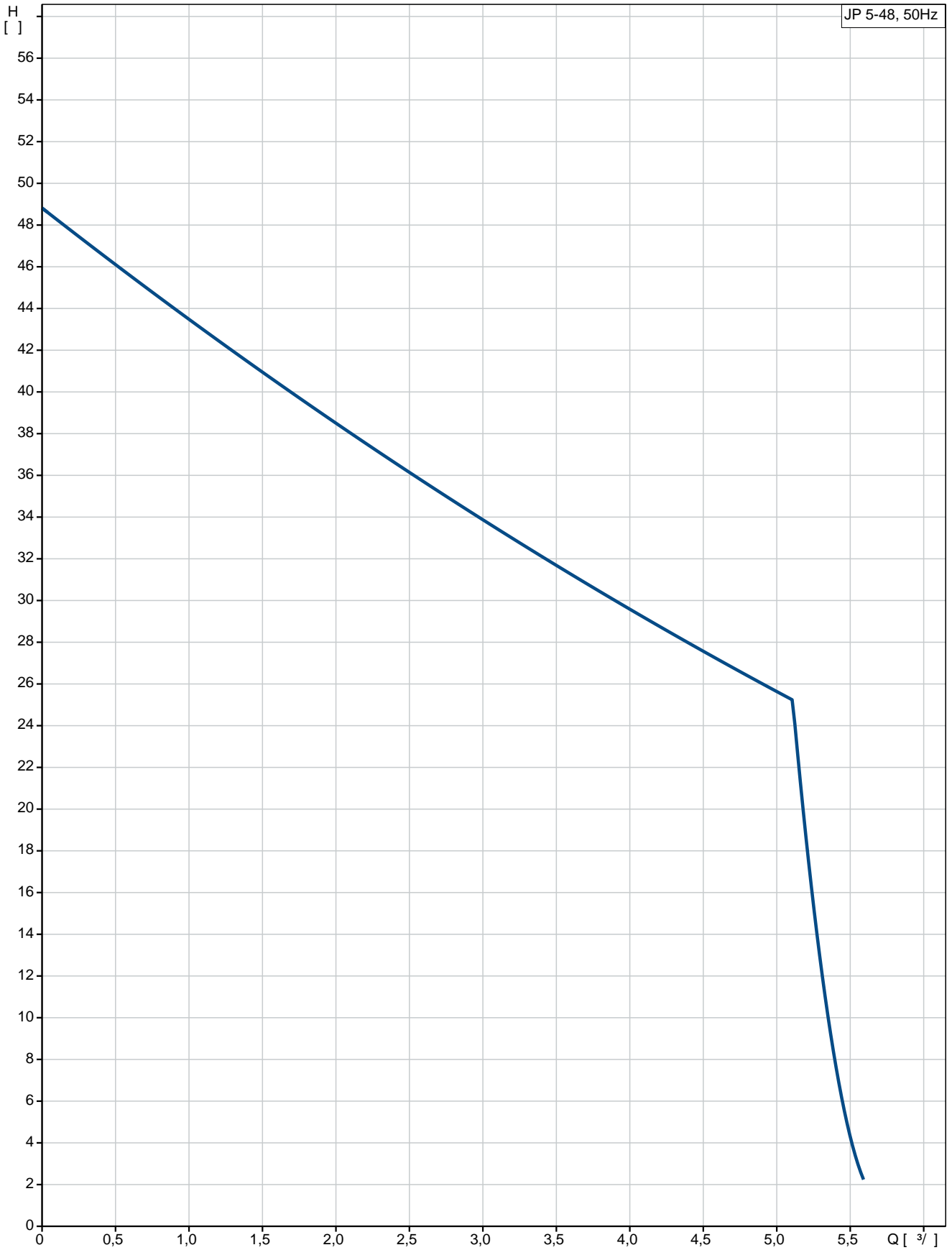
Finnish LVI No.: 4732538

Norwegian NRF no.: 9040047

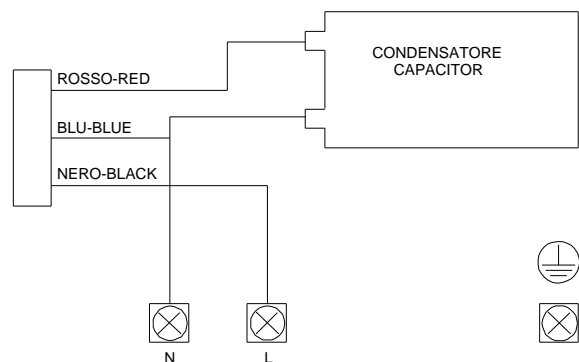
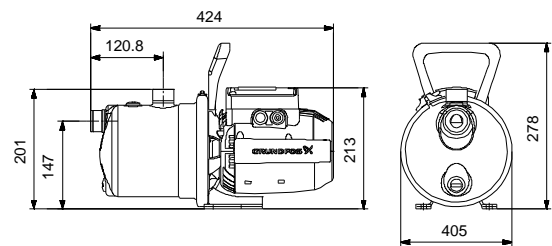
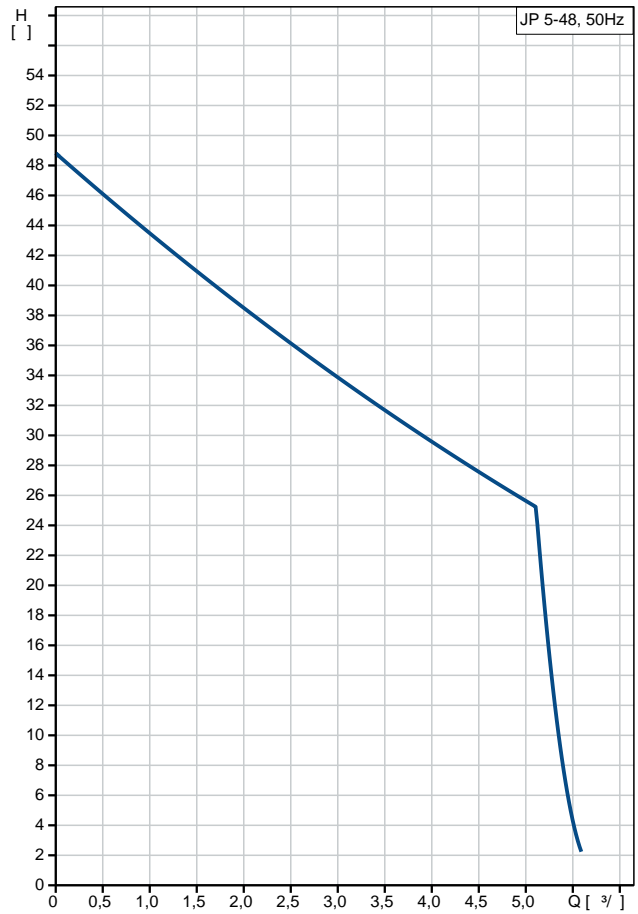
C : HU

: 8413705100

99458769 JP 5-48 S-BBVP 50

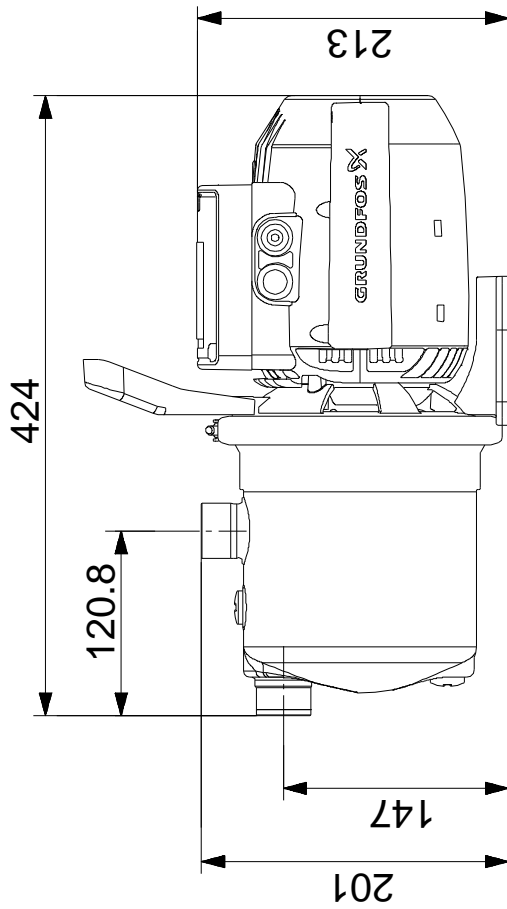
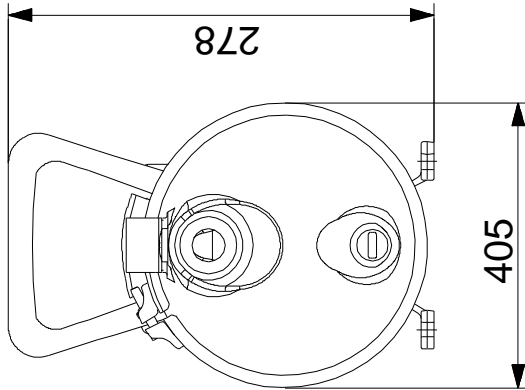


	JP 5-48 S-BBVP
	99458769
EAN	5713829460119
Maximum head:	5 ³ /
	48.3
	48.3
	BBVP
	CE, EAC
	ISO9906:2012 3B
	A
	2800 /
	EN 1.4301
	AISI 304
	S
	0 .. 40 °C
Maximum permissible inlet pressure:	6
	1
	G1
	G1
	0 .. 40 °C
	20 °C
	998.2 / ³
	- P1: 1490
	- P2: 1.014
	50 Hz
	1 x 230
	6.6 A
	27.9 A
	25 /450
(IEC 34-5):	IP44
(IEC 85):	F
	SCHUKO
	Y
	12
	14
	0.026 ³
Danish VVS No.:	385534050
Swedish RSK No.:	5928696
Finnish LVI No.:	4732538
Norwegian NRF no.:	9040047



C : HU
: 8413705100

99458769 JP 5-48 S-BBVP 50



99458769 JP 5-48 S-BBVP 50

