

1 JP 4-47 S-BBVP



: 99458767

Grundfos JP 4-47 S-BBVP

JP

JP

JP

8

JP

: 0 .. 40 °C
 : 20 °C
 : 998.2 / 3

: 4 3/
 : BBVP
 : CE,EAC
 - : ISO9906:2012 3B
 : 2800 /

EN 1.4301
 AISI 304

: 0 .. 40 °C

: 6
 Maximum permissible inlet pressure: 1
 : G1

G1

- P1: 850

- P2: 0.56

: 50 Hz

: 1 x 230

: 3.8 A

: 11.3 A

- : 13 /450

(IEC 34-5): IP44

(IEC 85): F

: SCHUKO

8

10

0.026 ³

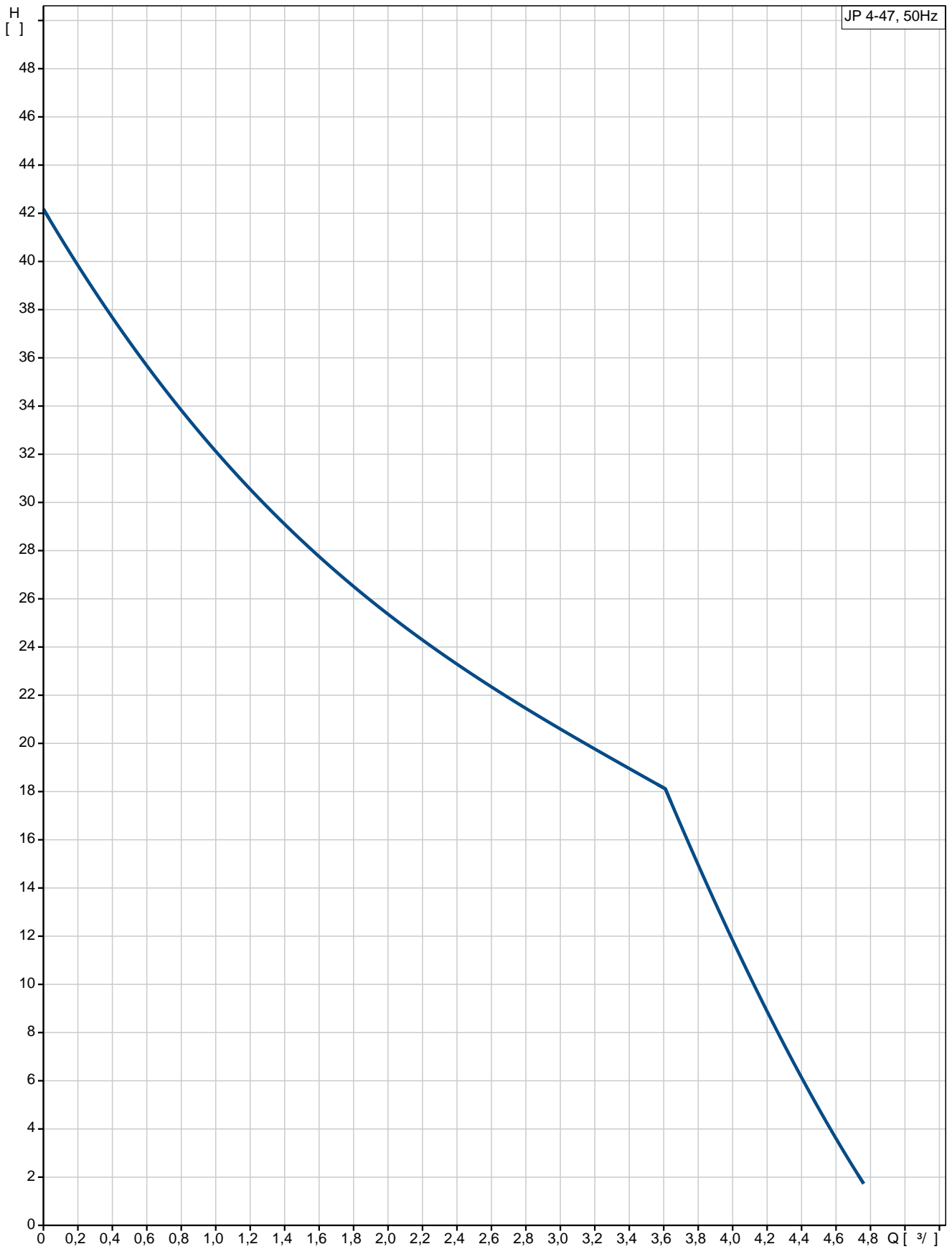
Finnish LVI No.: 4732536

Norwegian NRF no.: 9040046

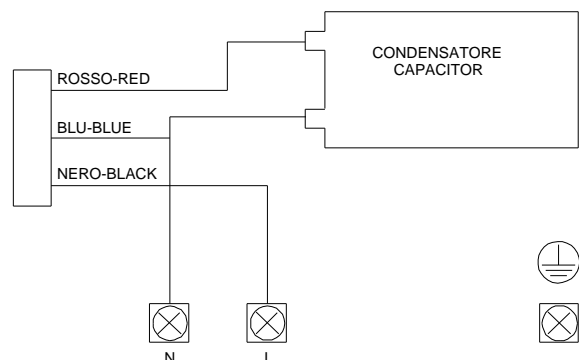
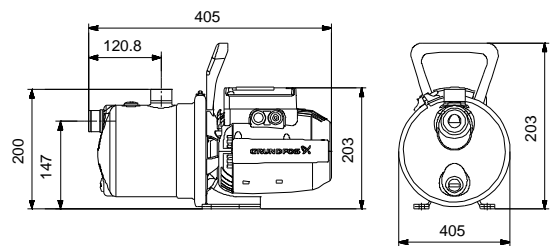
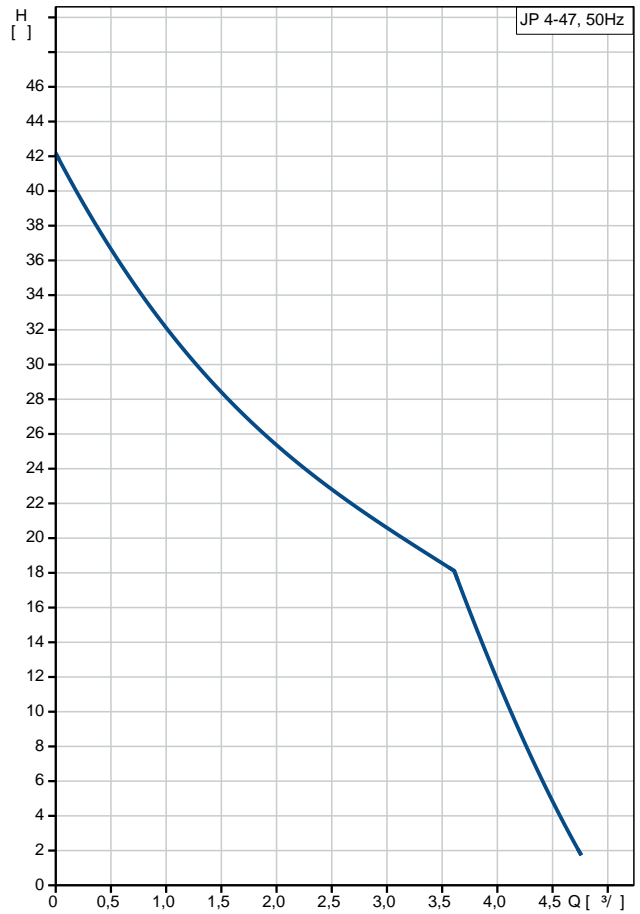
C : HU

: 8413705100

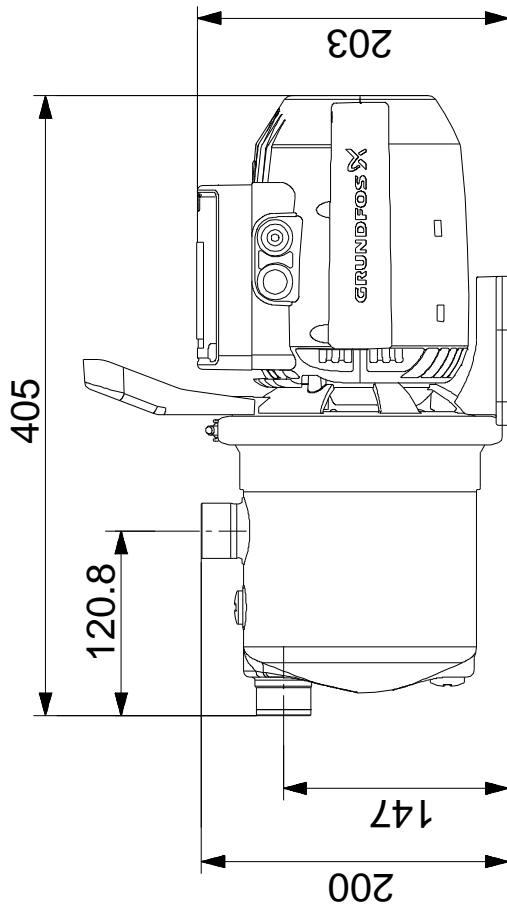
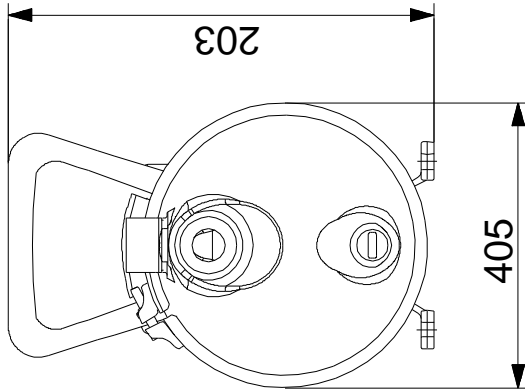
99458767 JP 4-47 S-BBVP 50



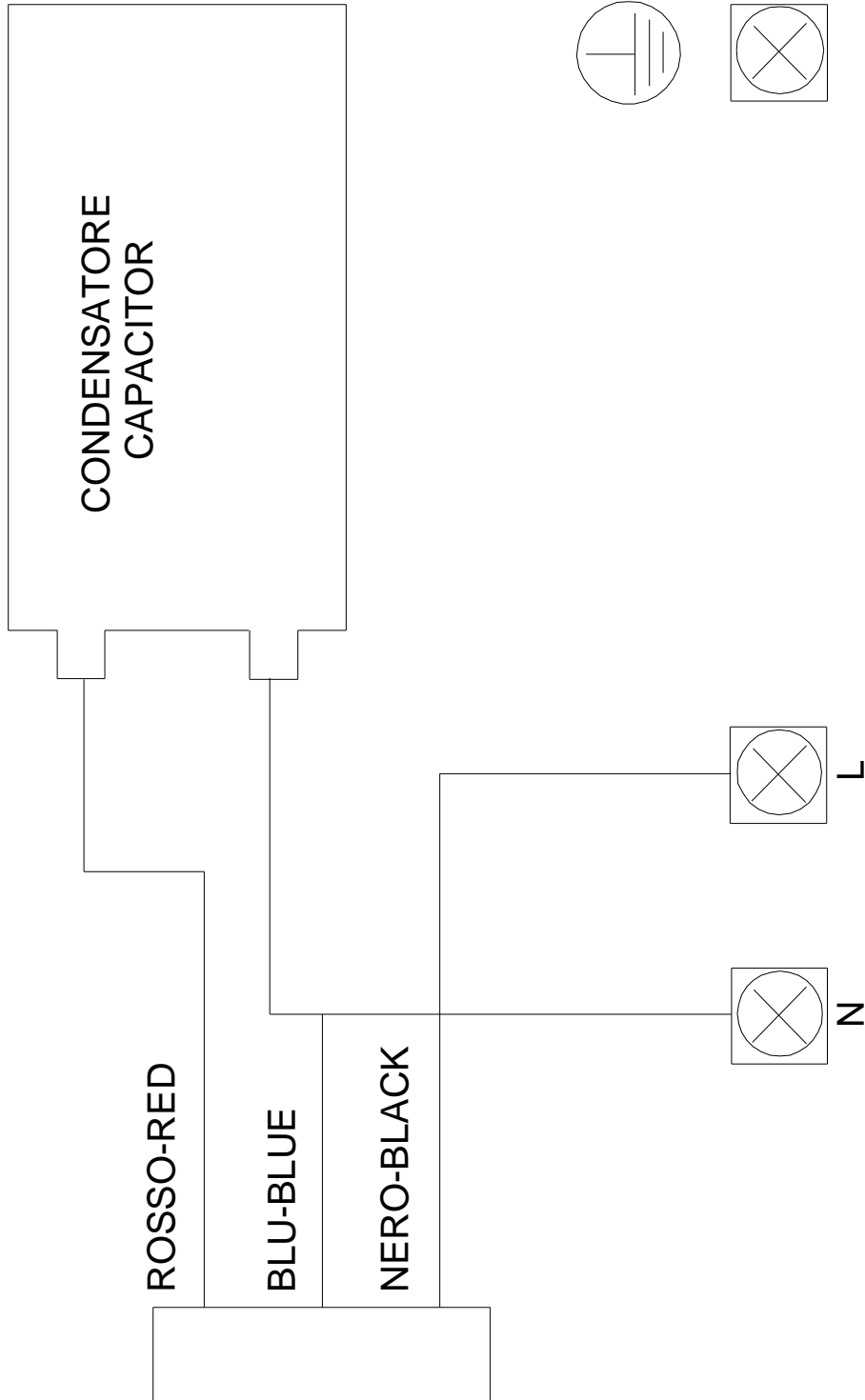
	JP 4-47 S-BBVP
	99458767
EAN	5713829460096
Maximum head:	4 3/4
	47
	47
	BBVP
	CE, EAC
	ISO9906:2012 3B
	A
	2800 /
	EN 1.4301
	AISI 304
	S
	0 .. 40 °C
Maximum permissible inlet pressure:	6
	1
	G1
	G1
	0 .. 40 °C
	20 °C
	998.2 / 3
	- P1: 850
	- P2: 0.56
	50 Hz
	1 x 230
	3.8 A
	11.3 A
	13 /450
(IEC 34-5):	IP44
(IEC 85):	F
	SCHUKO
	Y
	8
	10
	0.026 3
Finnish LVI No.:	4732536
Norwegian NRF no.:	9040046
C	HU
	8413705100



99458767 JP 4-47 S-BBVP 50



99458767 JP 4-47 S-BBVP 50



! [], .