

1 TP 40-30/4 A-F-A-BQQE-AX3



: 98896273

12756. Pipework connection is via PN 6/10 DIN flanges (EN 1092-2 and ISO 7005-2).

EN

Frequency converter:

: -25 .. 120 °C
: 20 °C

: 998.2 / 3

: 1400 /

: 8 3/

: 2.15

: 87

: BQQE

- : ISO9906:2012 3B2

c : EN-GJL-250
ASTM class 35

, EN/DIN: EN 1.4301

, AISI/ASTM: AISI 304

: -30 .. 40 °C

: 10

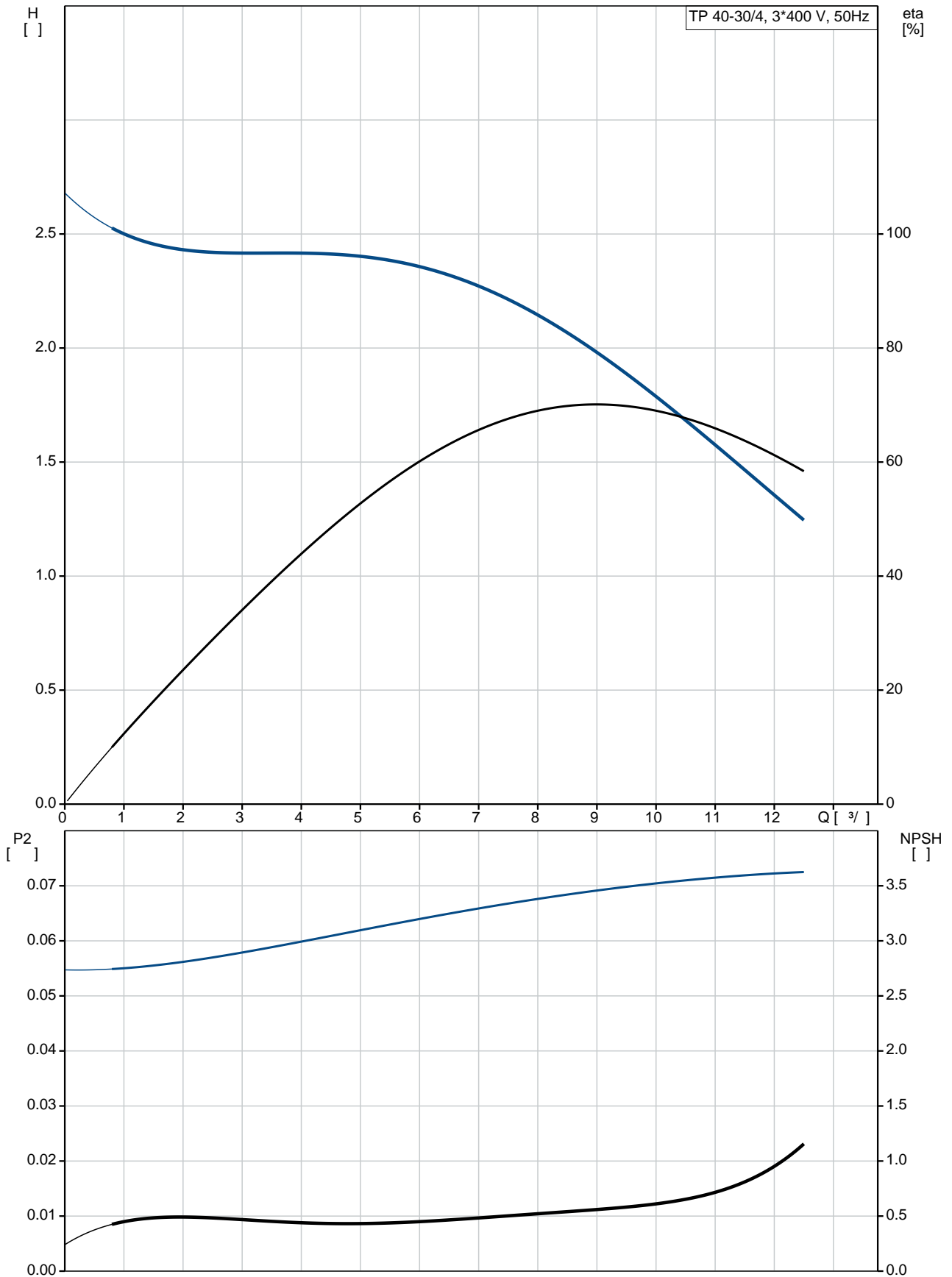
- : 10 / 120 °C

: DIN

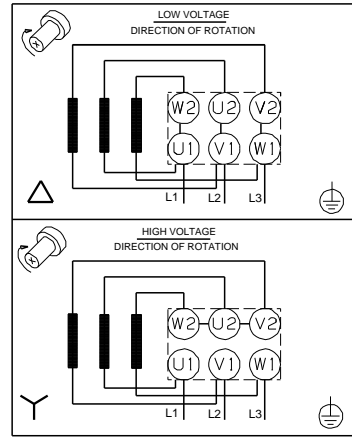
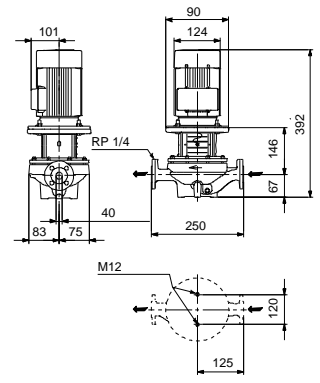
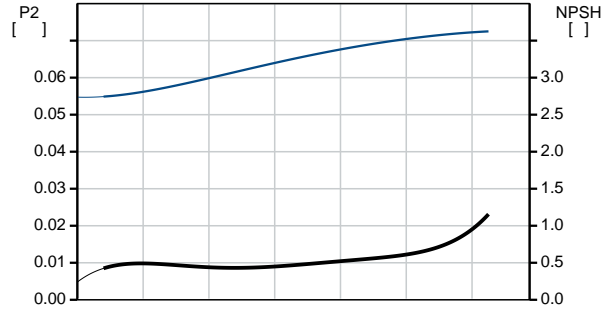
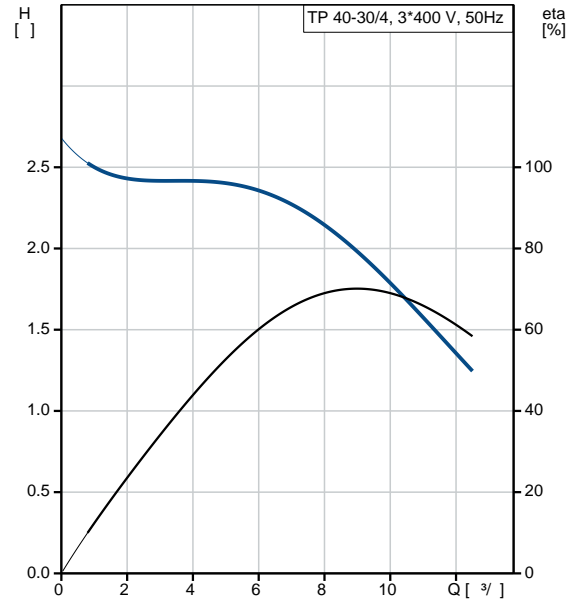
: DN 40

: PN 6/10
 : 250
 : FT75
 :
 : SIEMENS
 - P2: 0.12
 : 50 Hz
 : 3 x 220-240D/380-415Y
 : 0.73/0.42 A
 : 280-280 %
 Cos - : 0.73-0.73
 : 1400-1450 /
 : 4
 (IEC 34-5): IP55
 (IEC 85): F
 : 81702312
 :
 , MEI : 0.70
 (): 18.6
 (): 22.1
 : 0.08 ³
 Danish VVS No.: 38 1822.030
 Finnish LVI No.: 4616023
 Norwegian NRF no.: 9043551
 C : HU
 : 8413705100

98896273 TP 40-30/4 A-F-A-BQQE-AX3 50

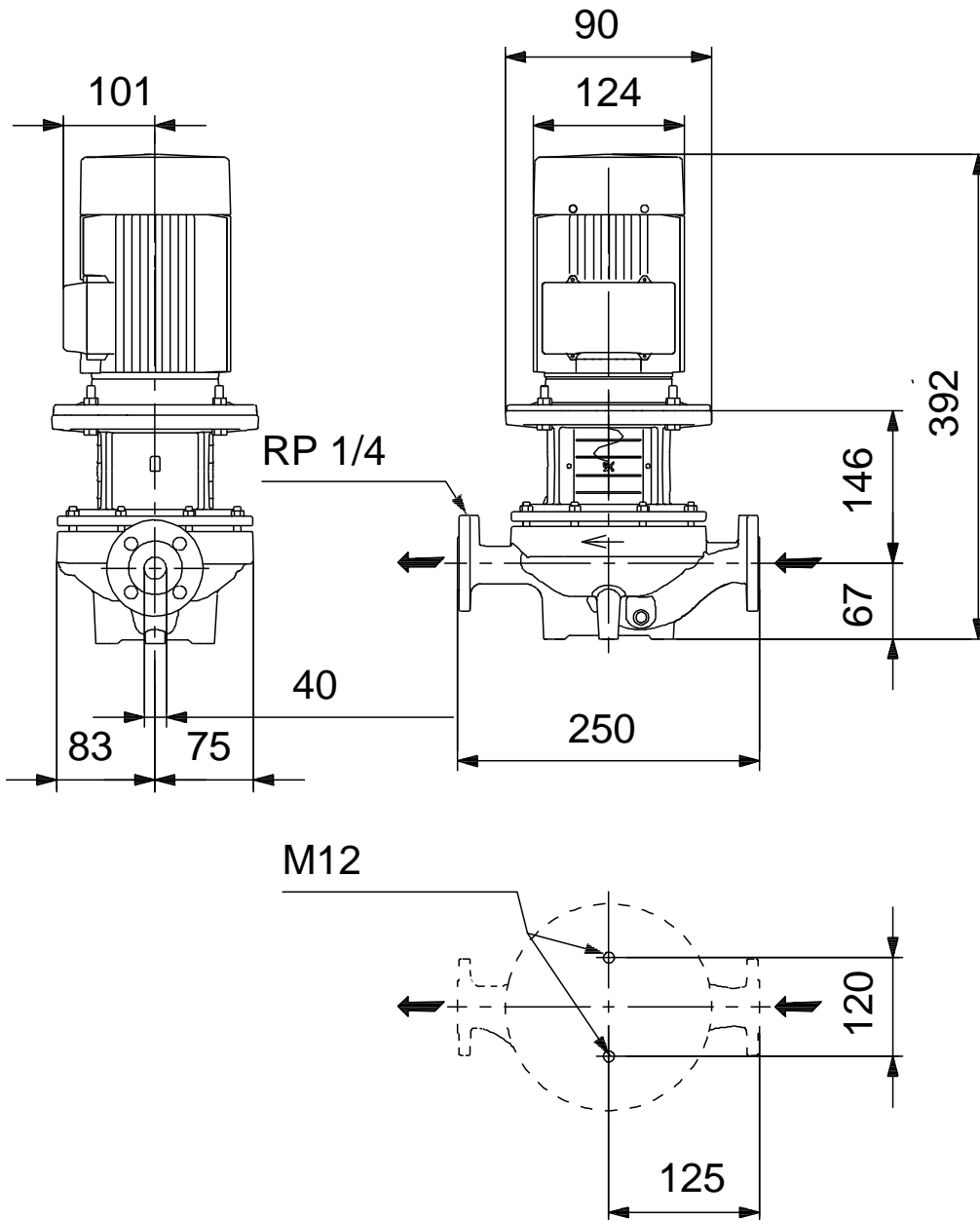


Model	TP 40-30/4
Series	A-F-A-BQQE-AX3
EAN	5712603124551
Part Number	98896273
Flow	1400 /
Head	8 ^{3/}
Efficiency	2.15
Speed	30
Material	87
Standard	BQQE
ISO Standard	ISO9906:2012 3B2
Class	A
EN Standard	EN-GJL-250
ASTM Class	ASTM class 35
EN/DIN	EN 1.4301
AISI/ASTM	AISI 304
Material	A
Temperature Range	-30 .. 40 °C
Pressure	10
Pressure	10 / 120 °C
Standard	DIN
DN	DN 40
PN	PN 6/10
Flange	250
Flange	FT75
Flange	F
Temperature Range	-25 .. 120 °C
Temperature	20 °C
Efficiency	998.2 / ³
Manufacturer	SIEMENS
- P2:	0.12
Frequency	50 Hz
Motor	3 x 220-240D/380-415Y
Efficiency	0.73/0.42 A
Efficiency	280-280 %
Cos	0.73-0.73
Flow	1400-1450 /
Flange	4
(IEC 34-5):	IP55
(IEC 85):	F
Part Number	81702312



, MEI :	0.70
():	18.6
():	22.1
:	0.08 ³
Danish VVS No.:	38 1822.030
Finnish LVI No.:	4616023
Norwegian NRF no.:	9043551
C :	HU
:	8413705100

98896273 TP 40-30/4 A-F-A-BQQE-AX3 50



98896273 TP 40-30/4 A-F-A-BQQE-AX3 50



! [], .