

1 TPD 40-110/4 A-F-A-BQQE-FX3



: 98760141

7005-2).

EN 12756. Pipework connection is via PN 16 DIN flanges (EN 1092-2 and ISO

Frequency converter:

: -25 .. 120 °C
 : 20 °C
 : 998.2 / ³

: 1410 /

: 14.4 ³/_h
 : 8.65
 : 190
 : BQQE
 - : ISO9906:2012 3B2

c : EN-GJL-250
 ASTM class 35

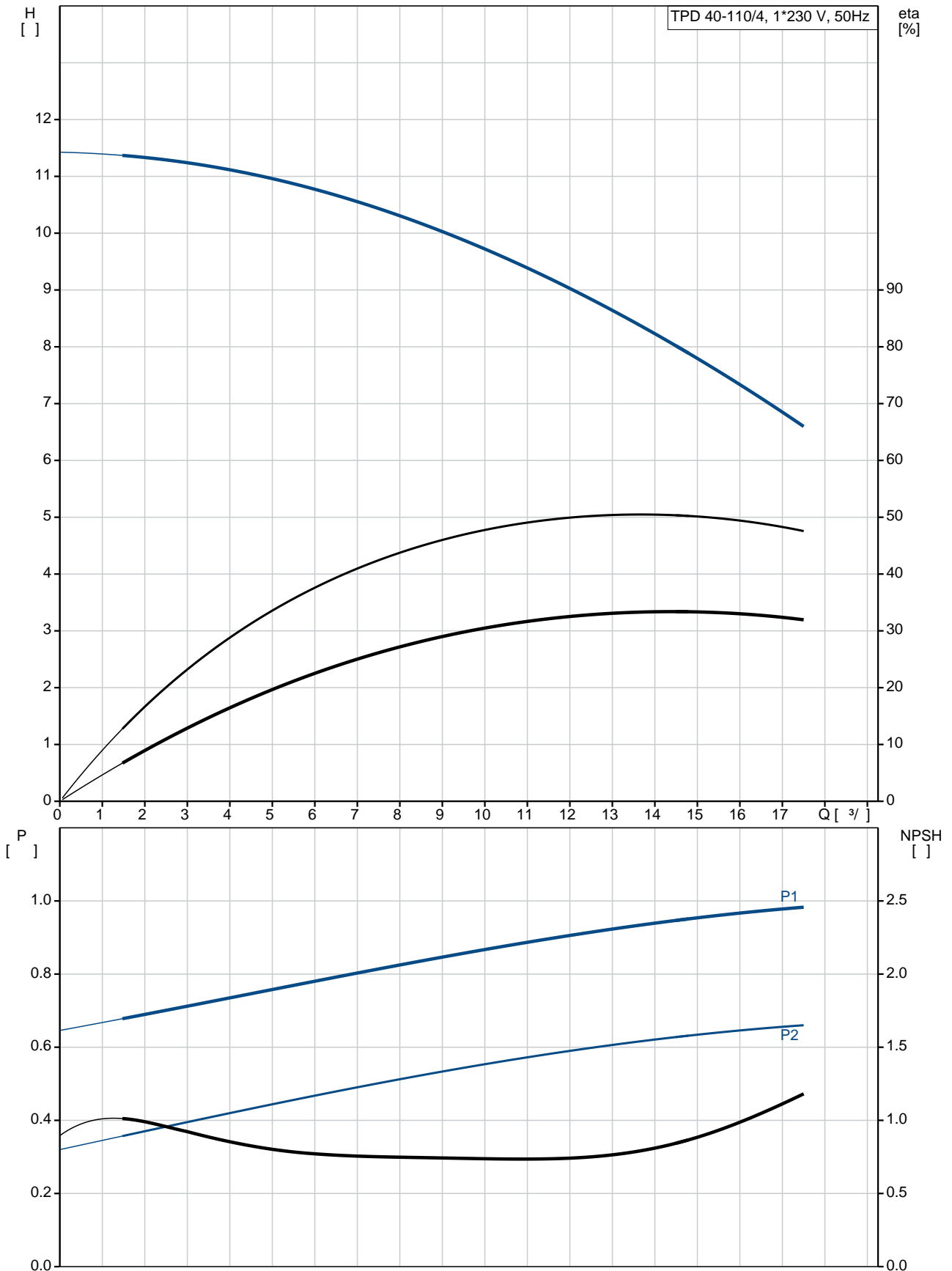
, EN/DIN: EN-GJL-200
 , AISI/ASTM: ASTM class 30

: -30 .. 40 °C

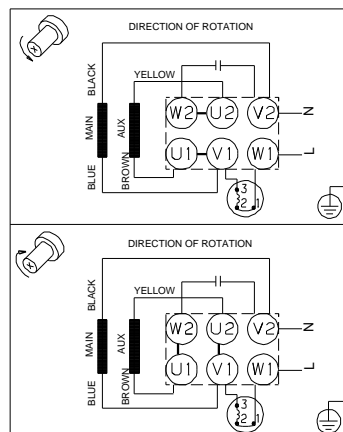
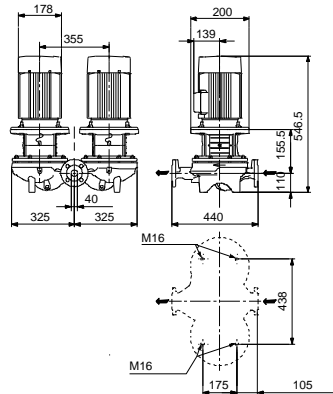
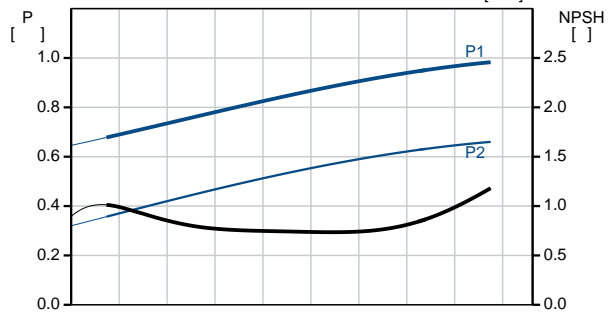
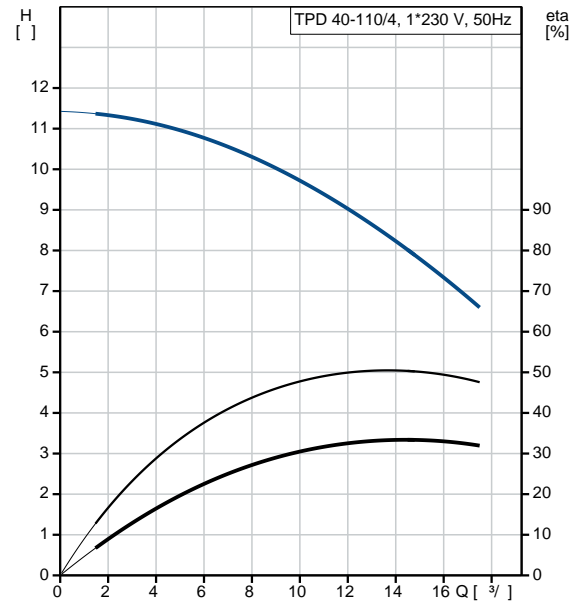
: 16
 - : 16 / 120 °C
 : DIN
 : DN 40

: PN 16
 : 440
 : FF165
 :
 : 90SA
 - P2: 0.75
 : 50 Hz
 : 1 x 220-230
 : 5.45 A
 : 320 %
 Cos - : 0.96
 : 1390-1410 /
 : 4
 (IEC 34-5): 55 Dust/Jetting
 (IEC 85): F
 : 87200342
 :
 : , MEI : 0.7
 (): 111
 (): 125
 : 0.38 ³

98760141 TPD 40-110/4 A-F-A-BQQE-FX3 50

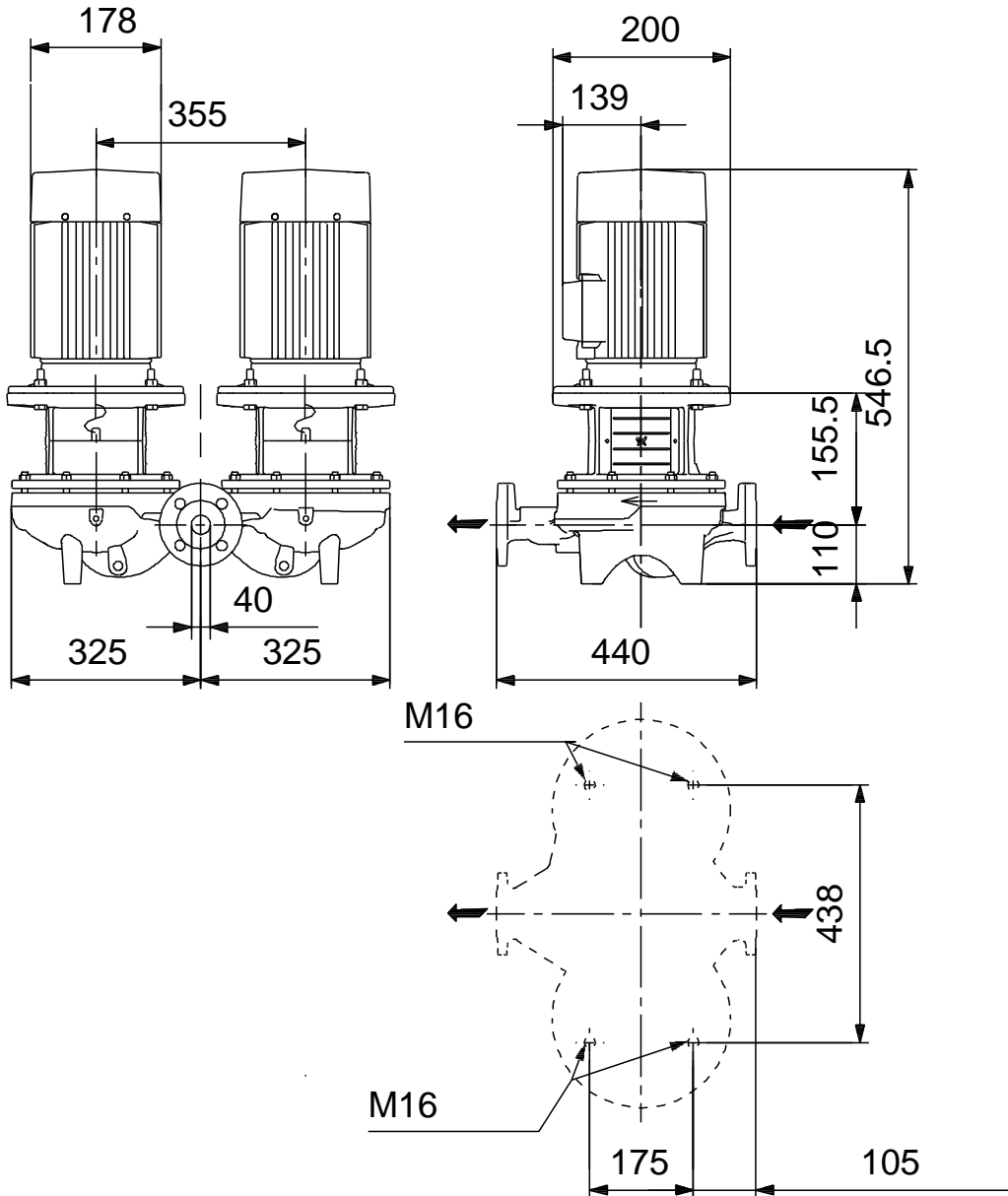


Model	TPD 40-110/4
Series	A-F-A-BQQE-FX3
EAN	98760141
	5712600991262
Flow rate	1410 /
Head	14.4 ³ /
Power	8.65
Speed	110
Efficiency	190
Material	BQQE
Standard	ISO9906:2012 3B2
Class	A
Material	EN-GJL-250
Material	ASTM class 35
Material	EN-GJL-200
Material	ASTM class 30
Material	A
Temperature	-30 .. 40 °C
Temperature	16
Temperature	16 / 120 °C
Material	DIN
Material	DN 40
Material	PN 16
Material	440
Material	FF165
Material	F
Temperature	-25 .. 120 °C
Temperature	20 °C
Material	998.2 / ³
Material	90SA
Material	- P2: 0.75
Material	50 Hz
Material	1 x 220-230
Material	5.45 A
Material	320 %
Cos	0.96
Material	1390-1410 /
Material	4
(IEC 34-5):	55 Dust/Jetting
(IEC 85):	F
Material	PTO
Material	87200342



	0.7
, MEI :	
():	111
():	125
:	0.38 ³

98760141 TPD 40-110/4 A-F-A-BQQE-FX3 50



98760141 TPD 40-110/4 A-F-A-BQQE-FX3 50

