

1 TPD 50-120/4 A-F-A-BQQE-GX3



: 98760129

EN 12756. Pipework connection is via PN 16 DIN flanges (EN 1092-2 and ISO 7005-2).

Frequency converter:

: -25 .. 120 °C
 : 20 °C
 : 998.2 / ³

: 1450 /

: 18 ³/_l
 : 9.41
 : 198
 : BQQE
 - : ISO9906:2012 3B2

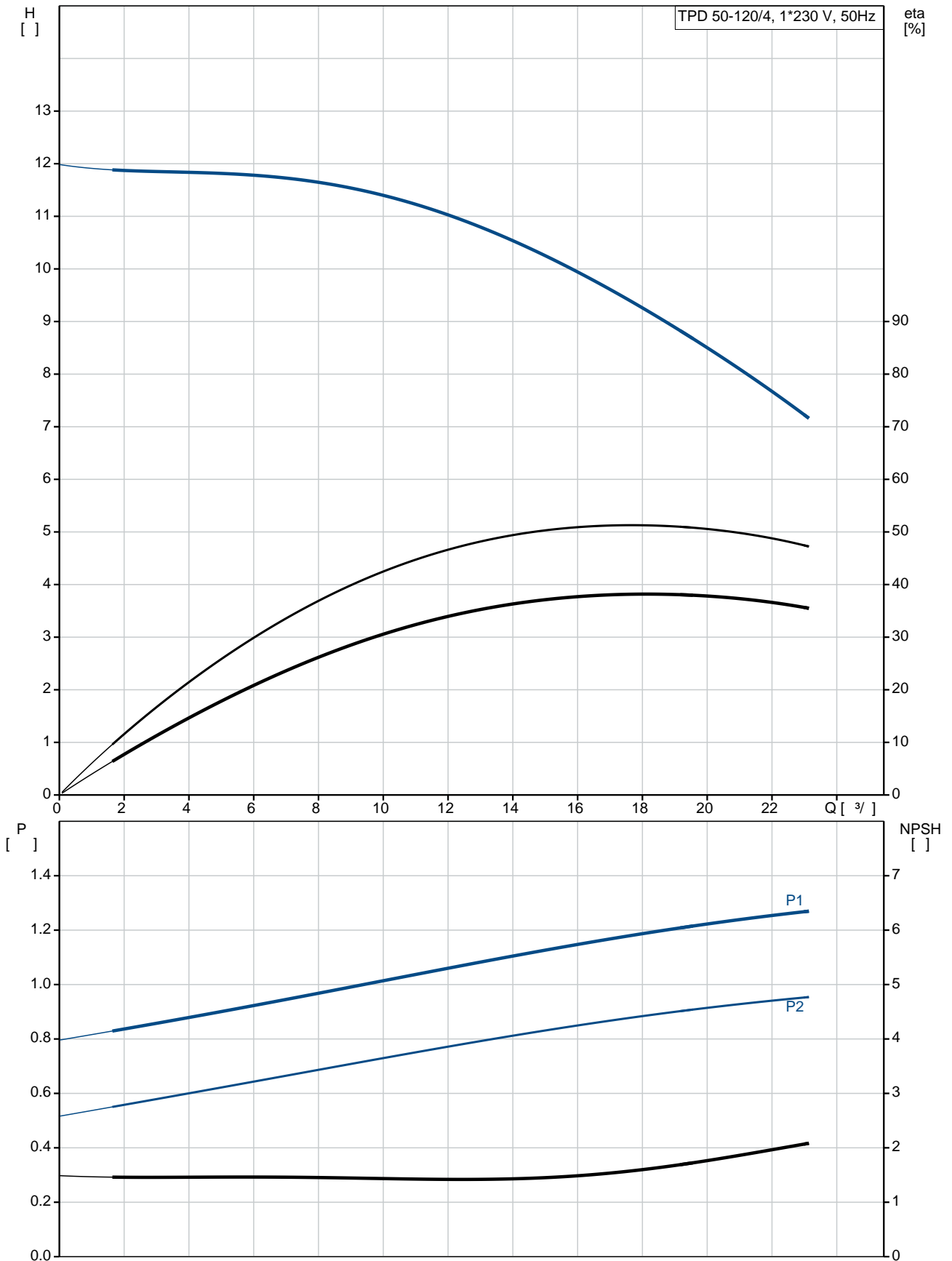
c : EN-GJL-250
 : ASTM class 35
 : EN/DIN: EN-GJL-200
 : AISI/ASTM: ASTM class 30

: -30 .. 40 °C

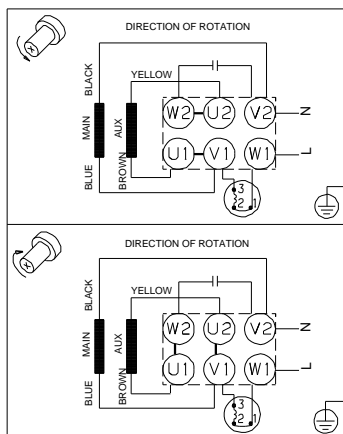
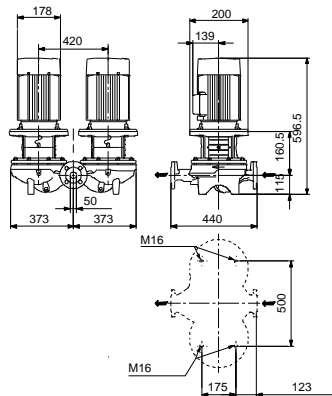
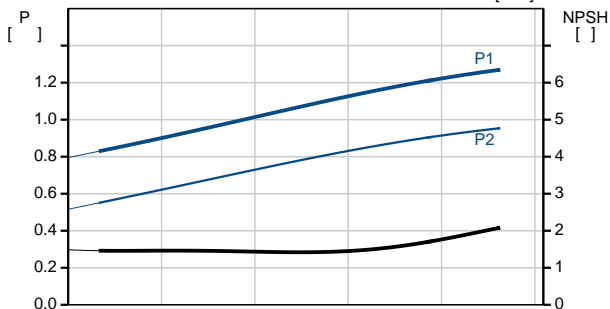
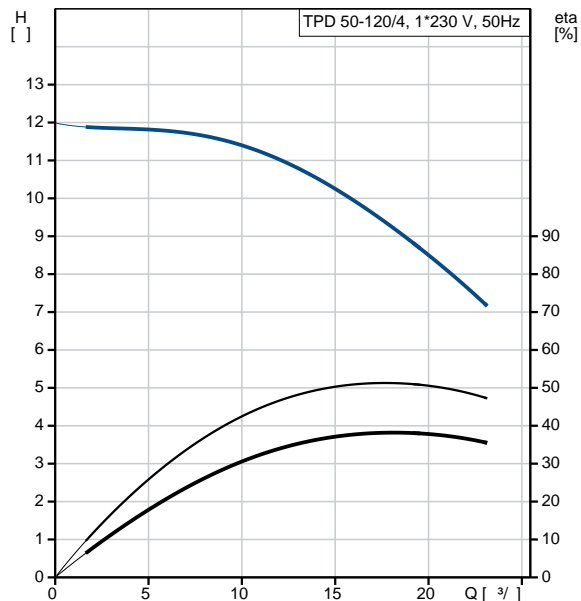
: 16
 - : 16 / 120 °C
 : DIN
 : DN 50

: PN 16
 : 440
 : FF165
 :
 : 90LB
 - P2: 1.1
 : 50 Hz
 : 1 x 220-230
 : 7 A
 : 390 %
 Cos - : 0.96
 : 1420-1430 / : 75-76 %
 : 4
 (IEC 34-5): 55 Dust/Jetting
 (IEC 85): F
 : 87200343
 :
 , MEI : 0.7
 (): 134
 (): 149
 : 0.38 ³

98760129 TPD 50-120/4 A-F-A-BQQE-GX3 50

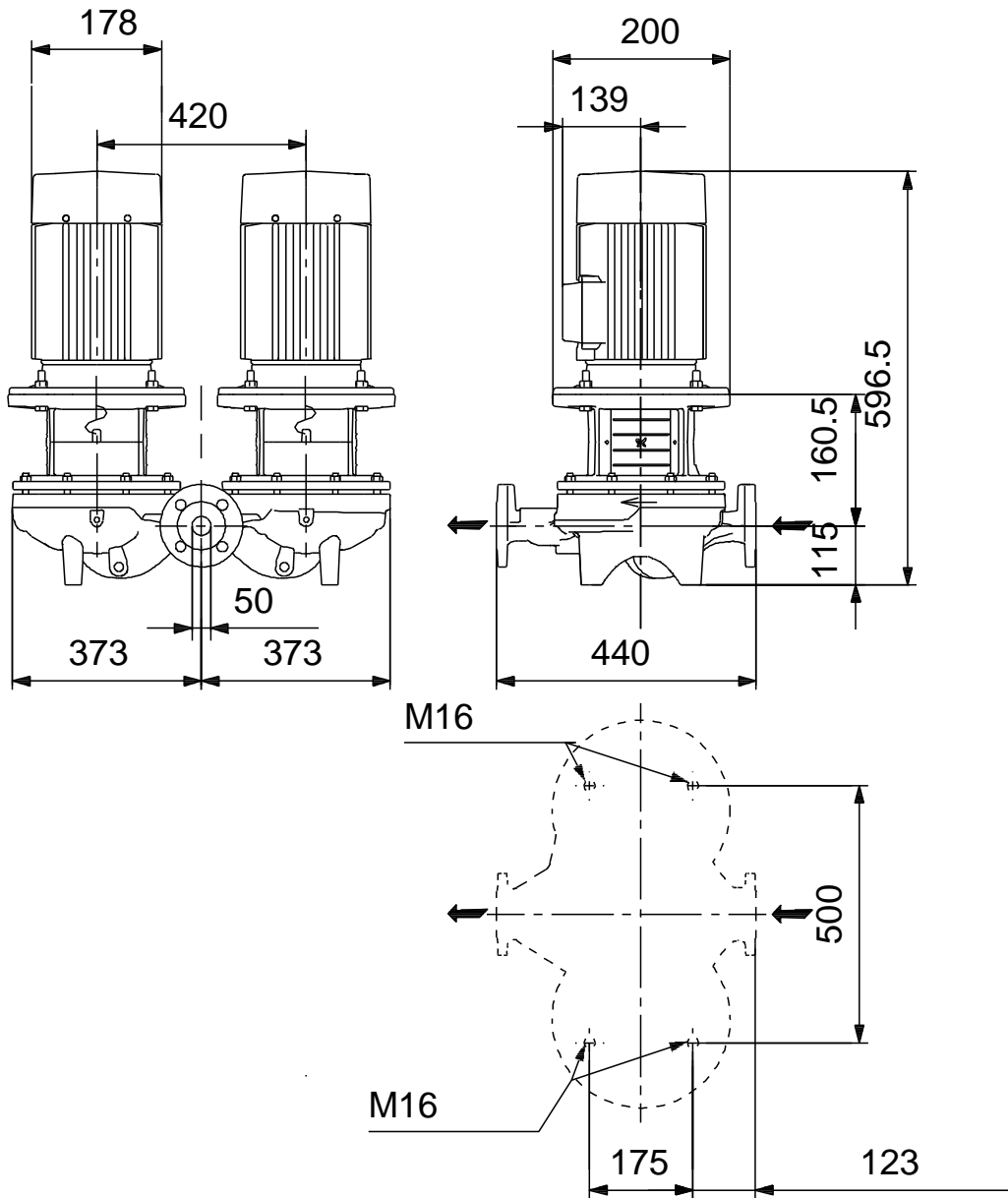


Model	TPD 50-120/4
Series	A-F-A-BQQE-GX3
EAN	5712600991149
Part Number	98760129
Material	EN-GJL-250 ASTM class 35
Material (Alternative)	EN-GJL-200 ASTM class 30
Material (Alternative)	A
Temperature Range	-30 .. 40 °C
Weight	16 / 120 °C
Weight (Alternative)	16
Weight (Alternative)	16 / 120 °C
Weight (Alternative)	DIN
Weight (Alternative)	DN 50
Weight (Alternative)	PN 16
Weight (Alternative)	440
Weight (Alternative)	FF165
Weight (Alternative)	F
Weight (Alternative)	-25 .. 120 °C
Weight (Alternative)	20 °C
Weight (Alternative)	998.2 / 3
Weight (Alternative)	90LB
Weight (Alternative)	- P2: 1.1
Weight (Alternative)	50 Hz
Weight (Alternative)	1 x 220-230
Weight (Alternative)	7 A
Weight (Alternative)	390 %
Cos φ	0.96
Weight (Alternative)	1420-1430 /
Weight (Alternative)	75-76 %
Weight (Alternative)	4
Weight (Alternative)	(IEC 34-5): 55 Dust/Jetting
Weight (Alternative)	(IEC 85): F
Weight (Alternative)	PTO
Weight (Alternative)	87200343



:	.
:	
, MEI :	0.7
(): :	134
(): :	149
:	0.38 ³

98760129 TPD 50-120/4 A-F-A-BQQE-GX3 50



98760129 TPD 50-120/4 A-F-A-BQQE-GX3 50

