

1 TPD 50-120/4 A-F-A-BAQE-GX3



: 98760128

7005-2). EN 12756. Pipework connection is via PN 16 DIN flanges (EN 1092-2 and ISO

Frequency converter:

: 0 .. 120 °C
 : 20 °C
 : 998.2 / 3

: 1450 /

: 18 3/
 : 9.41
 : 198
 : BAQE
 - : ISO9906:2012 3B2

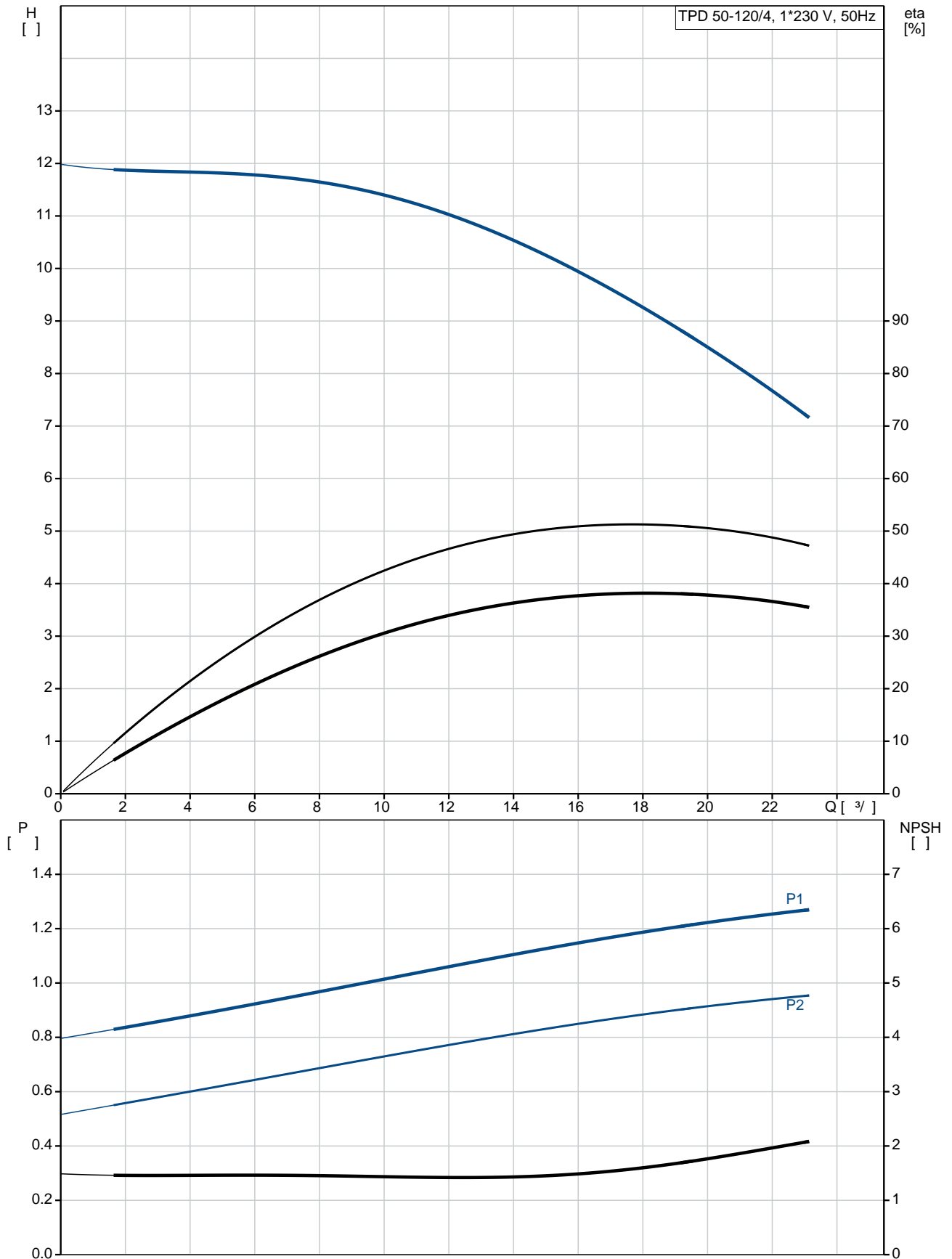
c : EN-GJL-250
 : ASTM class 35
 : EN/DIN: EN-GJL-200
 : AISI/ASTM: ASTM class 30

: -30 .. 40 °C

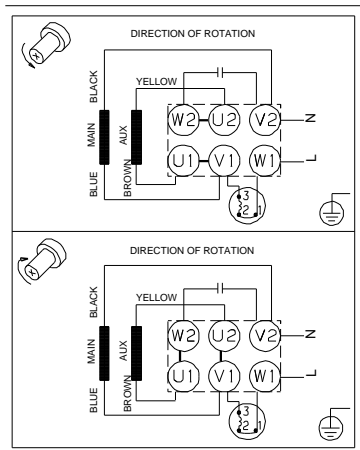
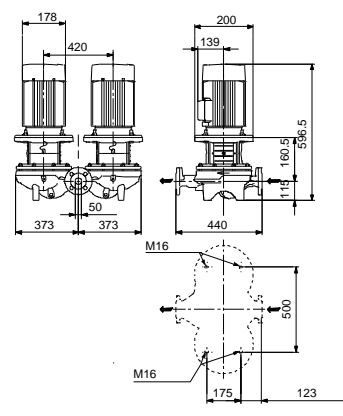
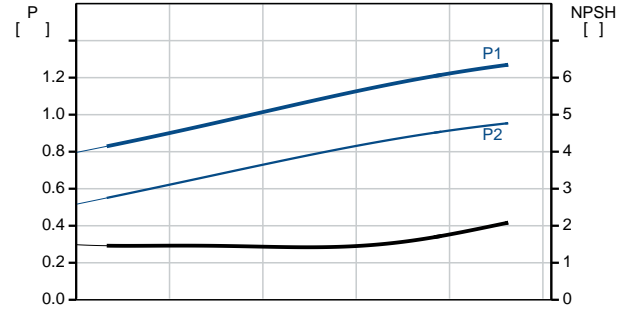
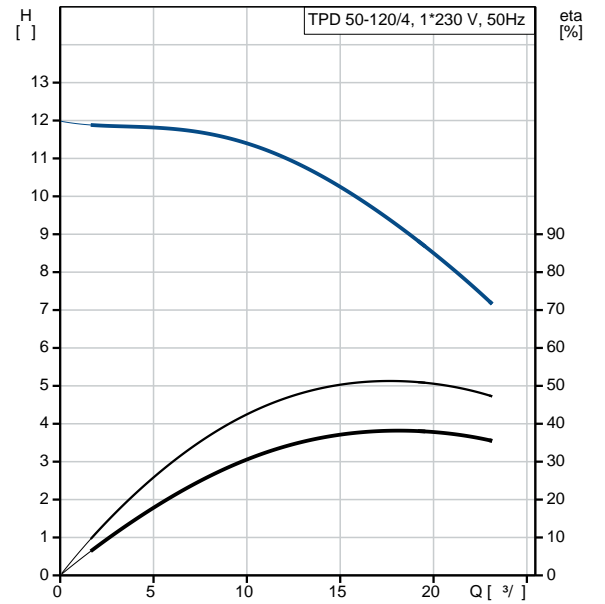
: 16
 - : 16 / 120 °C
 : DIN
 : DN 50

: PN 16
 : 440
 : FF165
 :
 : 90LB
 - P2: 1.1
 : 50 Hz
 : 1 x 220-230
 : 7 A
 : 390 %
 Cos - : 0.96
 : 1420-1430 / : 75-76 %
 : 4
 (IEC 34-5): 55 Dust/Jetting
 (IEC 85): F
 : 87200343
 :
 , MEI : 0.7
 (): 134
 (): 149
 : 0.38 ³

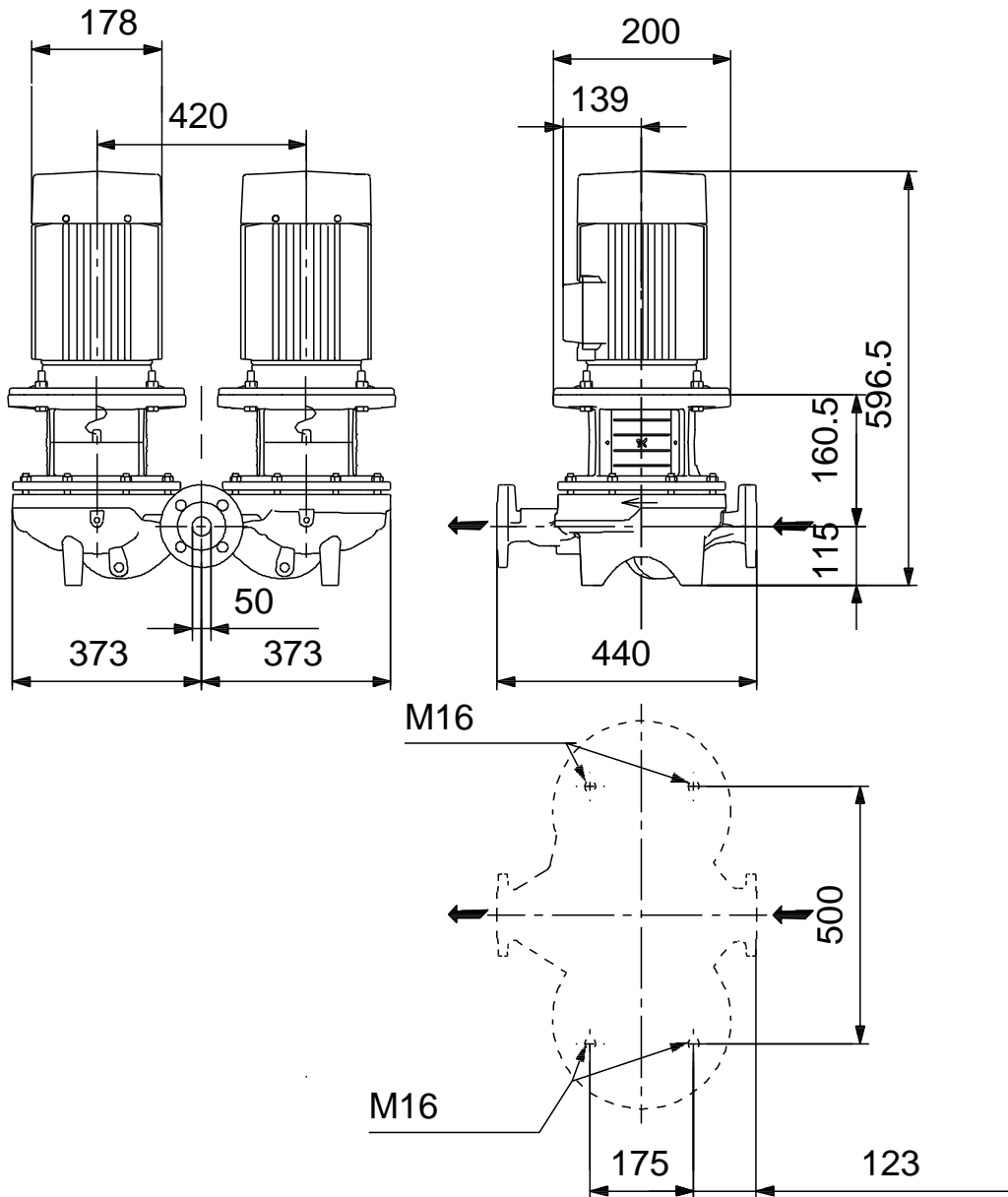
98760128 TPD 50-120/4 A-F-A-BAQE-GX3 50



Model	TPD 50-120/4
Series	A-F-A-BAQE-GX3
EAN	98760128
	5712600991132
Flow rate	1450 /
Head	18 ^{3/}
Power	9.41
Speed	120
Efficiency	198
Material	BAQE
Standard	ISO9906:2012 3B2
Class	A
Material	EN-GJL-250
Material	ASTM class 35
Material	EN-GJL-200
Material	ASTM class 30
Material	A
Temperature	-30 .. 40 °C
Pressure	16
Pressure	16 / 120 °C
Standard	DIN
Standard	DN 50
Standard	PN 16
Standard	440
Standard	FF165
Standard	F
Temperature	0 .. 120 °C
Temperature	20 °C
Efficiency	998.2 / ³
Weight	90LB
Weight	1.1
Weight	50 Hz
Weight	1 x 220-230
Weight	7 A
Weight	390 %
Cos	0.96
Weight	1420-1430 /
Weight	75-76 %
Weight	4
(IEC 34-5):	55 Dust/Jetting
(IEC 85):	F
Weight	PTO
Weight	87200343



98760128 TPD 50-120/4 A-F-A-BAQE-GX3 50



98760128 TPD 50-120/4 A-F-A-BAQE-GX3 50

