

1 TPD 65-250/2 A-F-A-BQQE-KX1



: 98742364

7005-2).

EN 12756. Pipework connection is via PN 16 DIN flanges (EN 1092-2 and ISO

Frequency converter:

: -25 .. 120 °C
 : 20 °C
 : 998.2 / ³

: 2930 /

: 44.7 ³/
 : 19.8
 : 138
 : BQQE
 - : ISO9906:2012 3B2

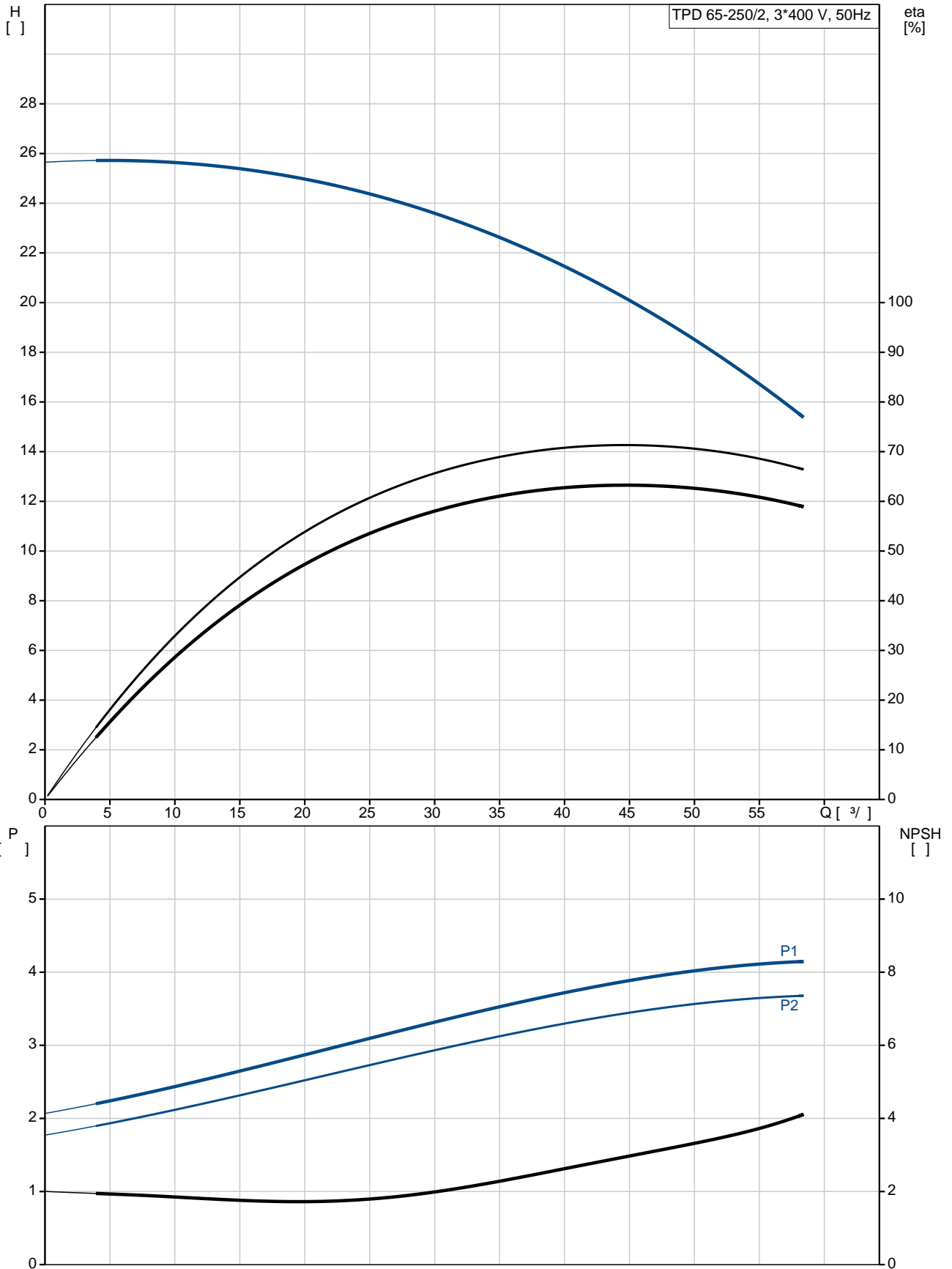
c : EN-GJL-250
 : ASTM class 35
 : EN/DIN: EN-GJL-200
 : AISI/ASTM: ASTM class 30

: -30 .. 60 °C

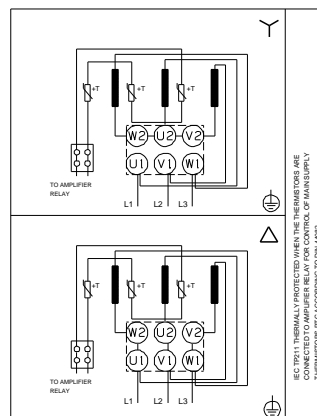
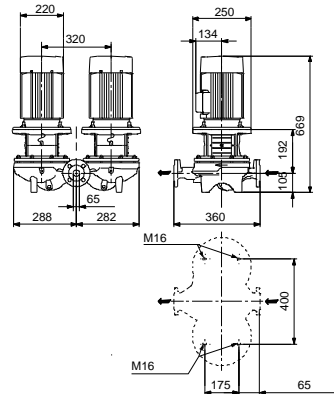
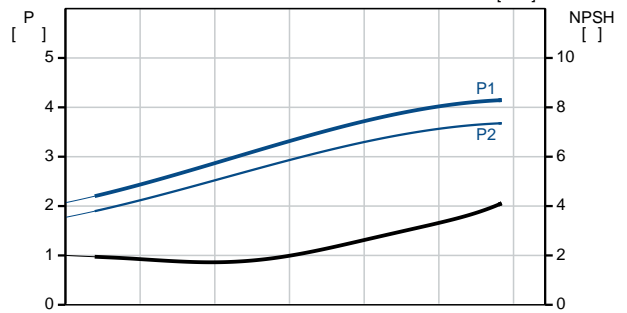
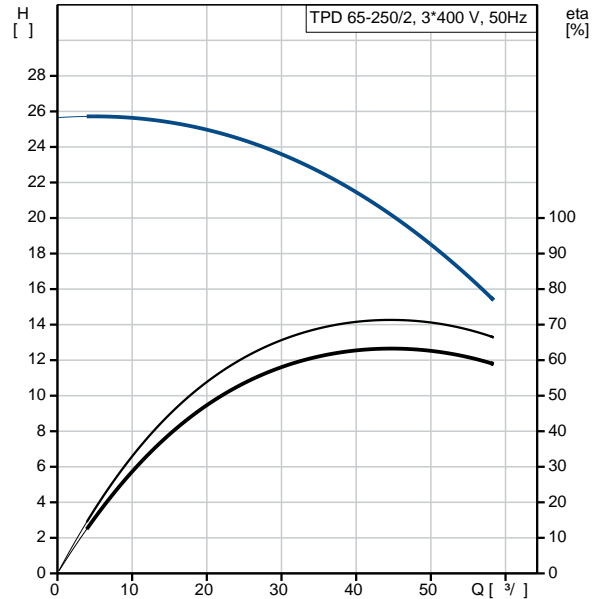
: 16
 - : 16 / 120 °C
 : DIN
 : DN 65

: PN 16
 : 360
 : FF215
 :
 : 112MC
 - : IE3
 - P2: 4
 : 50 Hz
 : 3 x 380-415D
 : 7.9 A
 : 1000-1110 %
 Cos - : 0.87-0.87
 : 2920-2940 /
 : IE3 88,1%
 : 88.1 %
 3/4 : 88.6 %
 1/2 : 85.2 %
 : 2
 (IEC 34-5): 55 Dust/Jetting
 (IEC 85): F
 : 87322303
 :
 , MEI : 0.7
 (): 152
 (): 176
 : 0.45 ³
 C : HU
 : 8413705100

98742364 TPD 65-250/2 A-F-A-BQQE-KX1 50

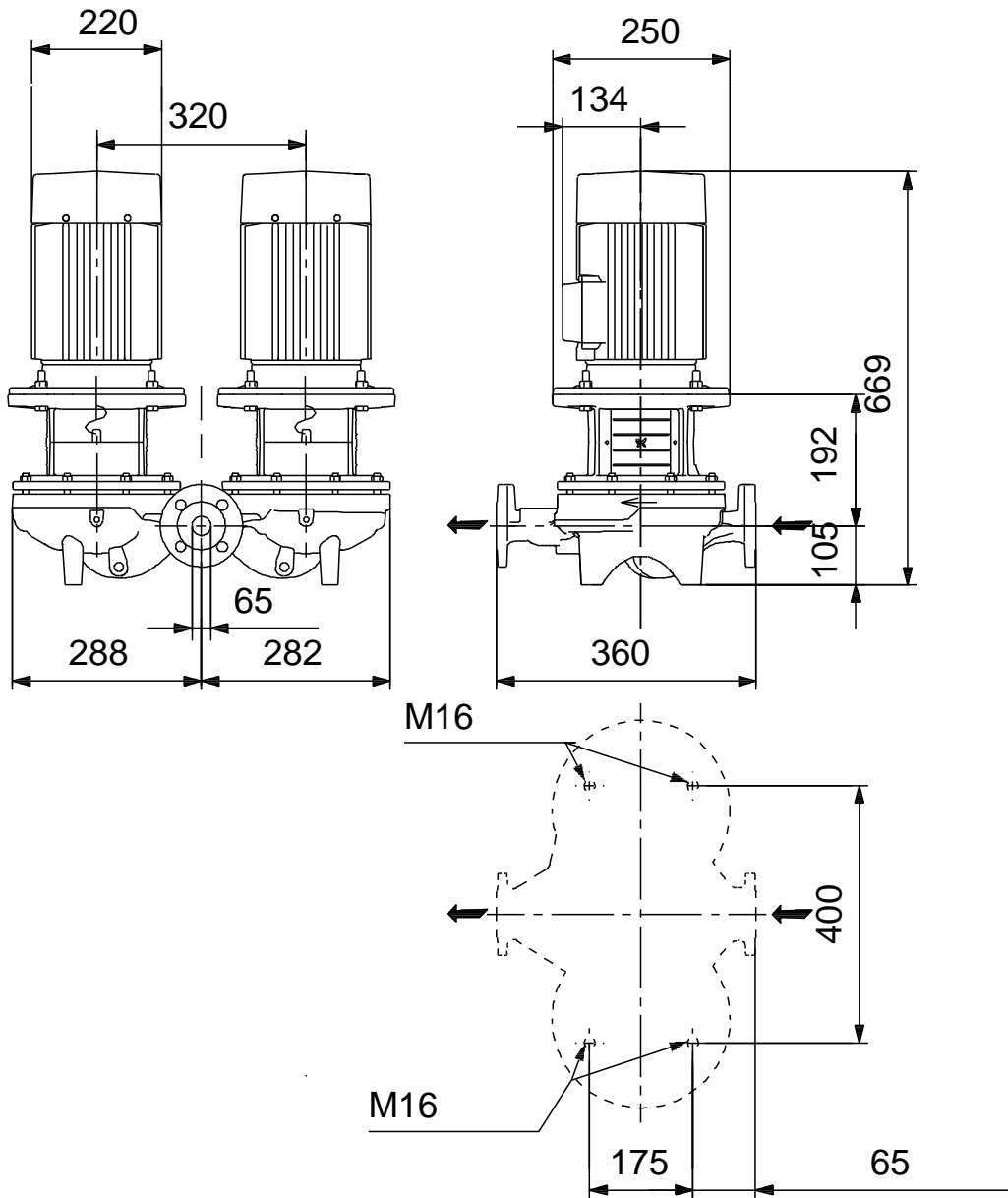


Model	TPD 65-250/2
Series	A-F-A-BQQE-KX1
EAN	98742364
	5712600810860
Material	2930 /
Weight	44.7 kg
Height	19.8
Length	250
Width	138
Standard	BQQE
Certification	ISO9906:2012 3B2
Class	A
Standard	EN-GJL-250
Material	ASTM class 35
Standard	EN-GJL-200
Material	ASTM class 30
Class	A
Temperature range	-30 .. 60 °C
Weight	16
Weight	16 / 120 °C
Standard	DIN
Standard	DN 65
Standard	PN 16
Standard	360
Standard	FF215
Standard	F
Temperature range	-25 .. 120 °C
Temperature	20 °C
Weight	998.2 / 3
Standard	112MC
Standard	IE3
Standard	- P2: 4
Frequency	50 Hz
Current	3 x 380-415D
Current	7.9 A
Current	1000-1110 %
Cos φ	0.87-0.87
Standard	2920-2940 /
Standard	IE3 88,1%
Standard	88.1 %
Standard	3/4 88.6 %
Standard	1/2 85.2 %
Standard	2

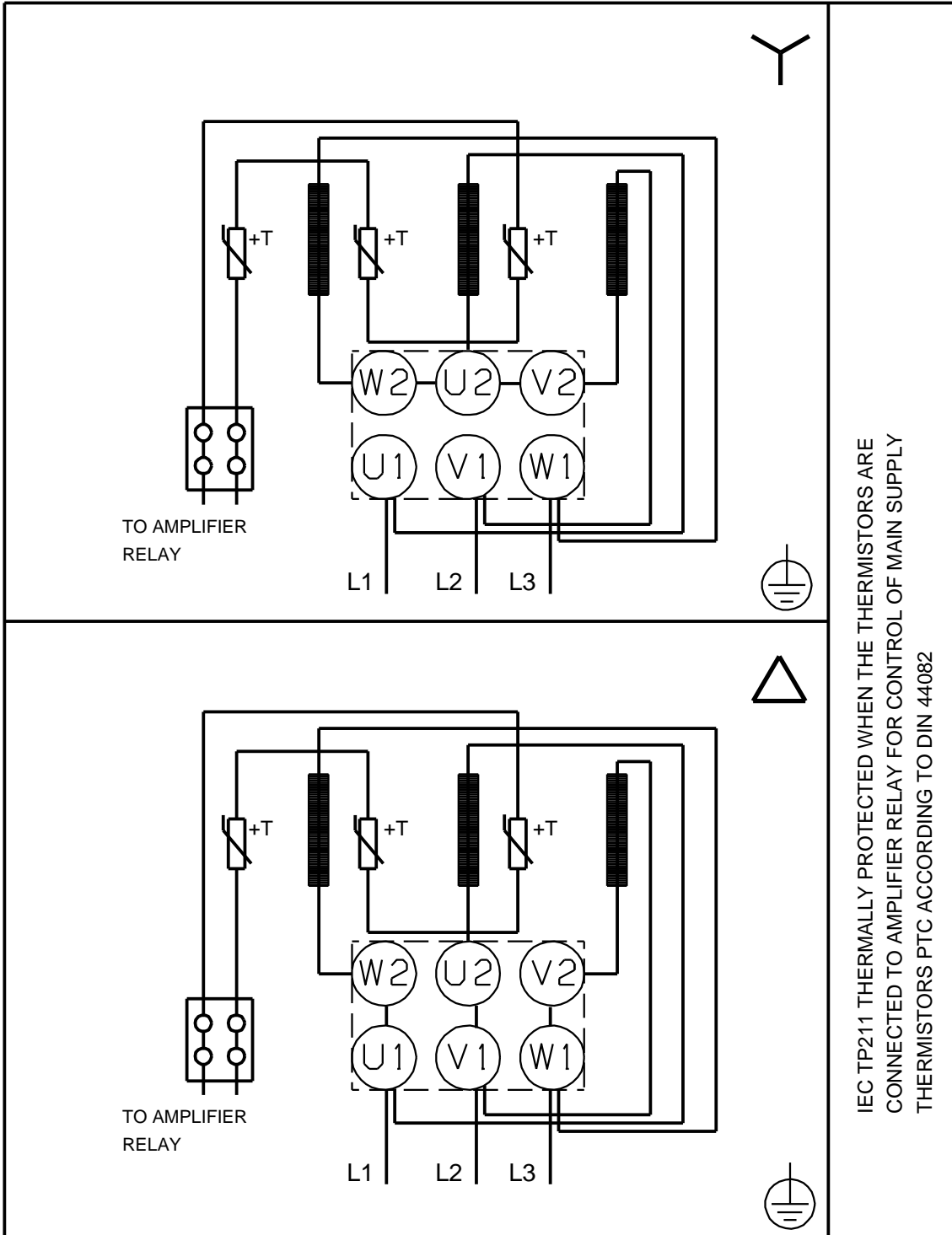


(IEC 34-5):	55 Dust/Jetting
(IEC 85):	F
:	PTC
:	87322303
:	
:	
:	
:	
, MEI :	0.7
(): :	152
(): :	176
:	0.45 ³
C :	HU
:	8413705100

98742364 TPD 65-250/2 A-F-A-BQQE-KX1 50



98742364 TPD 65-250/2 A-F-A-BQQE-KX1 50



IEC TP211 THERMALLY PROTECTED WHEN THE THERMISTORS ARE
CONNECTED TO AMPLIFIER RELAY FOR CONTROL OF MAIN SUPPLY
THERMISTORS PTC ACCORDING TO DIN 44082