

1 SP 14-11



: 98699356

, EN 1.4301 (AISI 304),

MS40003

40 °C.

Pt1000.
(DOL).

Maximum liquid temperature: 40 °C
 . t 0,15 / : 40 °C
 : 998.2 / °C

: 2900 /

: 14 °C
 : 47.3
 : HM/CER
 : CE,EAC
 - : ISO9906:2012 3B
 : T40

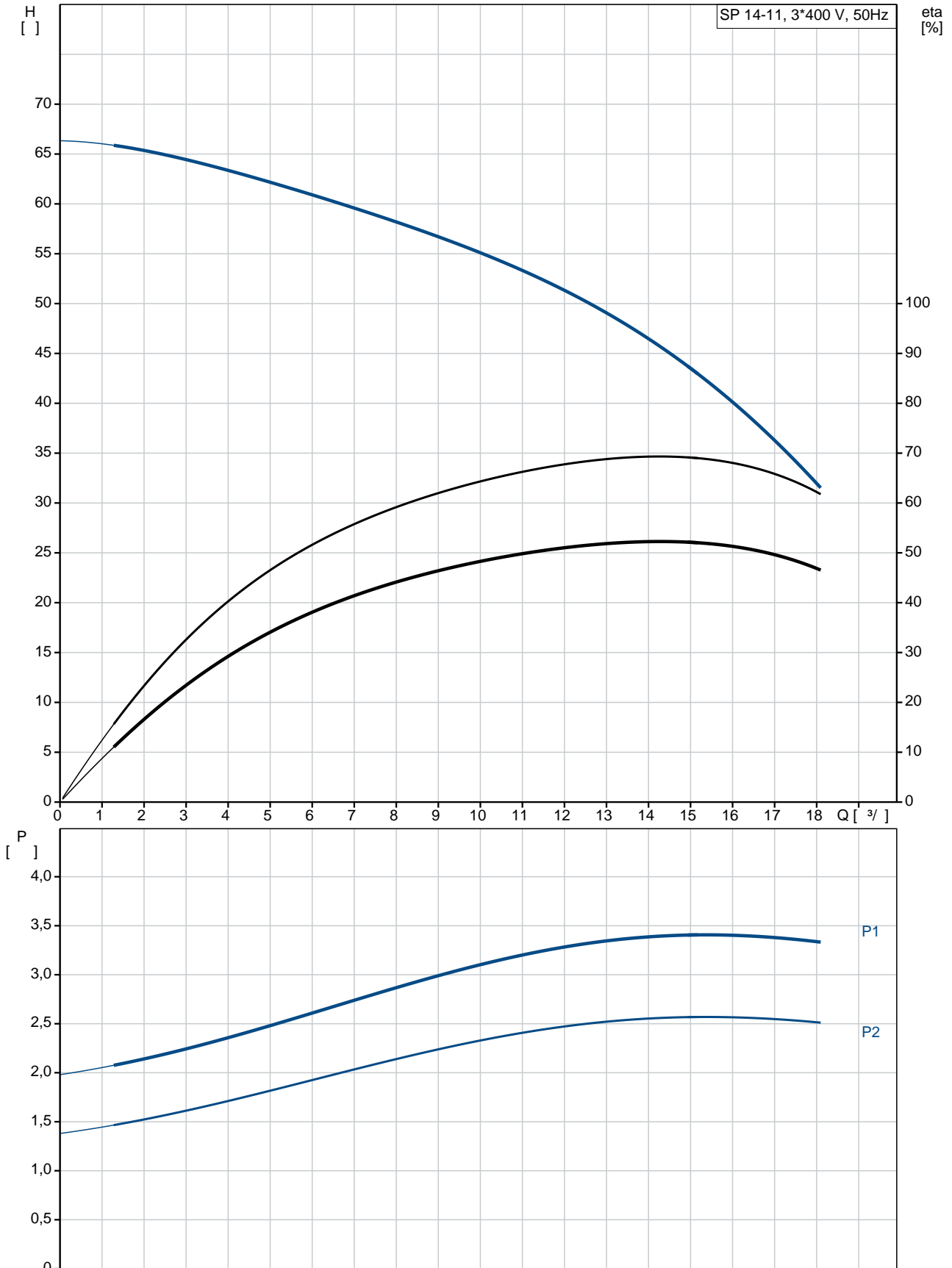
EN 1.4301
 AISI AISI 304

EN 1.4301
 AISI AISI 304

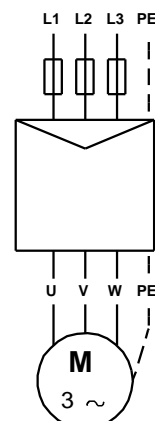
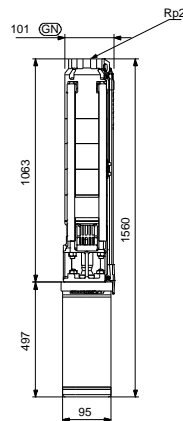
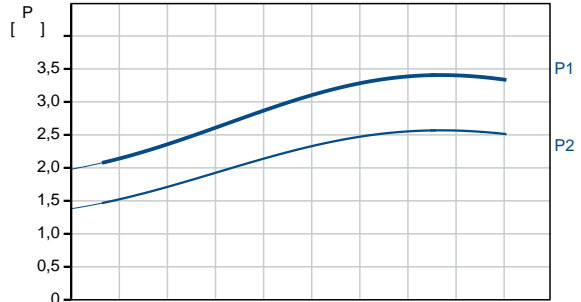
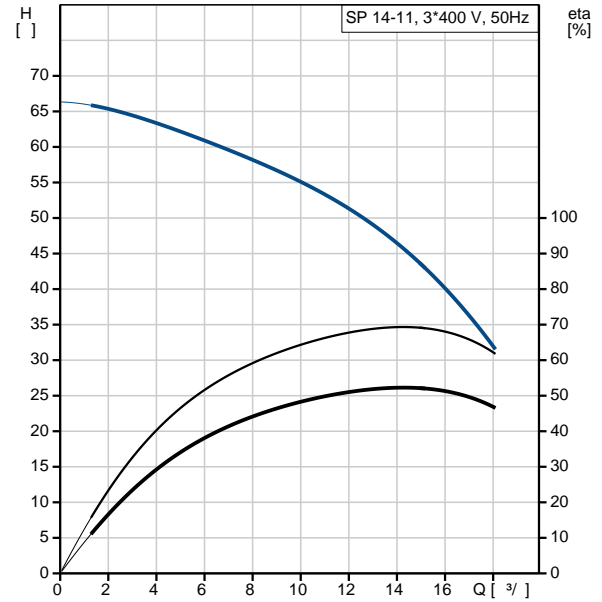
DIN W.-Nr. 1.4301
 AISI 304

: Rp2
 : 4 inch
 :
 : MS4000
 - P2: 3
 (2), : 3
 : 50 Hz
 : 3 x 380-400-415
 : 7.70-7.85-8.10 A
 : 460-490-500 %
 Cos - : 0.82-0.77-0.73
 : 2850-2865-2875 /
 :
 (IEC 34-5): IP68
 (IEC 85): F
 :
 : 79194508
 :
 : MEI : 0.50
 ErP : EuP / .
 : 30.7
 : 55.9
 : 0.2 ³
 Danish VVS No.: 388482011
 Finnish LVI No.: 4762708
 C : DK
 : 8413702900

98699356 SP 14-11 50

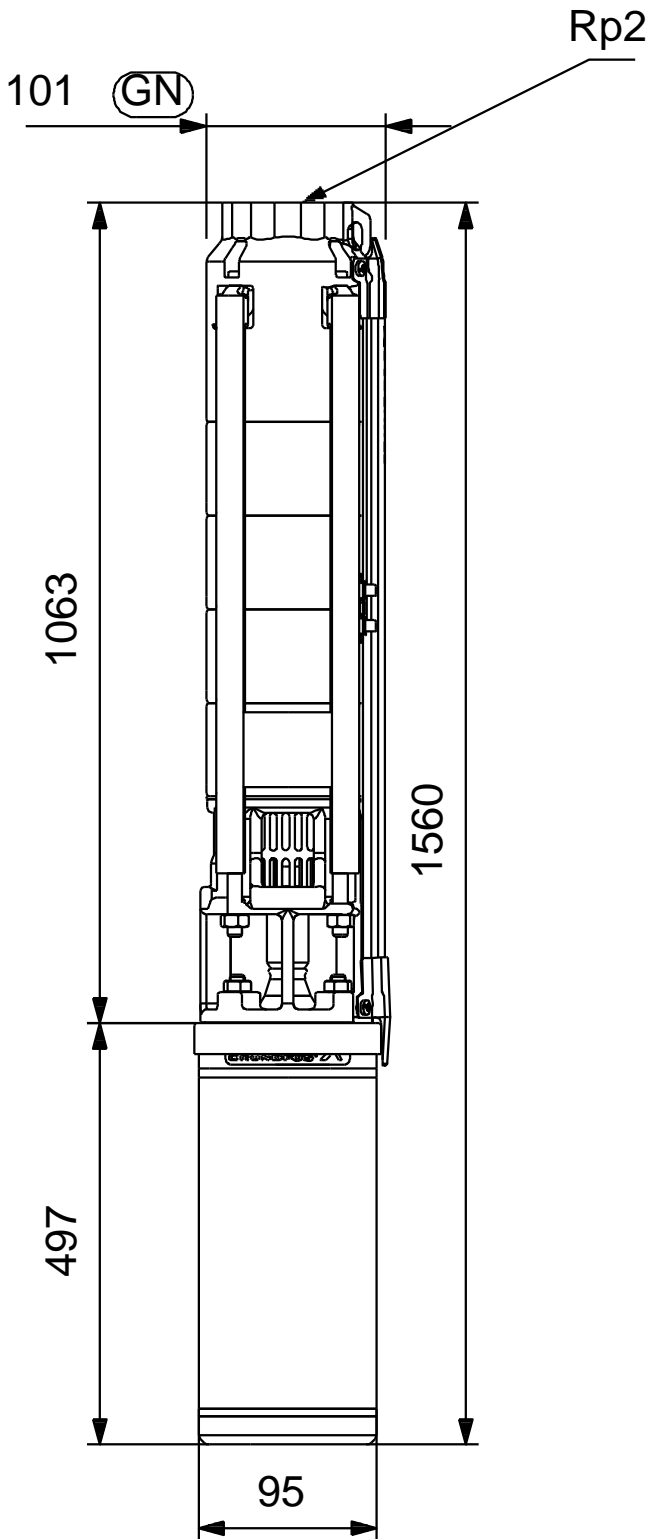


Model	SP 14-11
EAN	98699356 5712600111950
Flow rate	2900 /
Head	14 ^{3/} 47.3
Speed	11
Material	NONE
Protection	HM/CER
Certification	CE,EAC
Standard	ISO9906:2012 3B
Efficiency class	A
Energy efficiency	YES
Temperature class	T40
Standard	EN 1.4301
Material	AISI AISI 304
Standard	EN 1.4301
Material	AISI AISI 304
Standard	DIN W.-Nr. 1.4301
Material	AISI 304
Port	Rp2
Port size	4 inch
Maximum liquid temperature:	40 °C
Temperature class	0,15 / 40 °C
Temperature	20 °C
Flow rate	998.2 / ³
Motor	MS4000
Protection	NEMA
Protection class	- P2: 3
Protection class	(2), 3
Frequency	50 Hz
Current	3 x 380-400-415 7.70-7.85-8.10 A
Power factor	460-490-500 %
Cos φ	0.82-0.77-0.73
Power	2850-2865-2875 /
IP class	(IEC 34-5): IP68
IP class	(IEC 85): F
Part number	79194508



MEI :		0.50
ErP :	EuP	/ .
:		30.7
:		55.9
:		0.2 ³
Danish VVS No.:		388482011
Finnish LVI No.:		4762708
C :	DK	
:		8413702900

98699356 SP 14-11 50



98699356 SP 14-11 50



!

[],