

1 SLV.80.80.22.EX.4.50D.C



: 98626621

SuperVortex

5%.

80

DIN .

Maximum liquid temperature: 40 °C
998.2 / 3

SUPER VORTEX

: 80

: SIC/SIC

: CARBON/CERAMICS

: CE, EN12050-1, ATEX

- : ISO9906:2012 3B2

EN 5.1301 EN-GJL-250

EN 5.1301 EN-GJL-250

EN-GJL-250

Maximum ambient temperature: 40 °C

: DIN

80

80

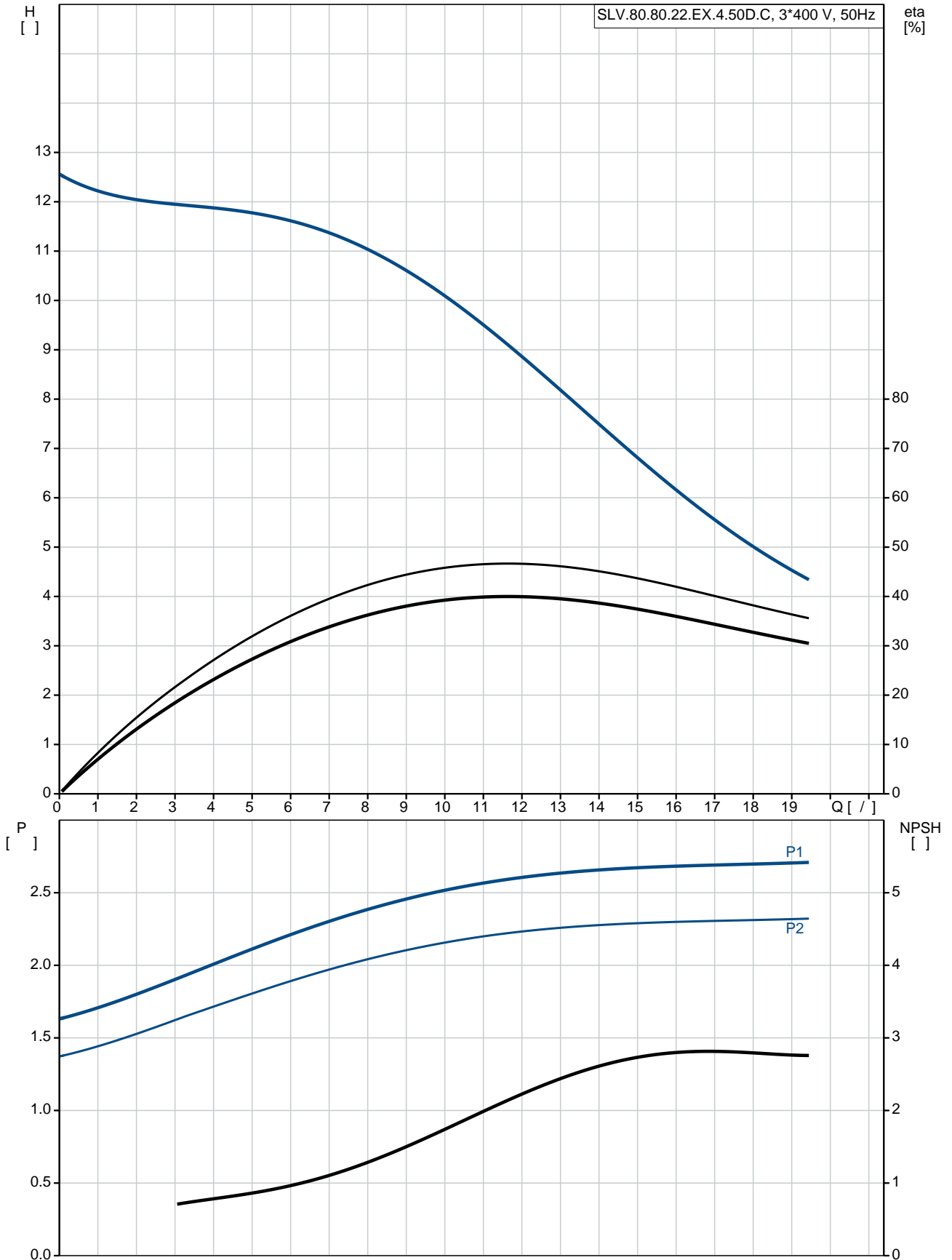
: PN 10

: 20

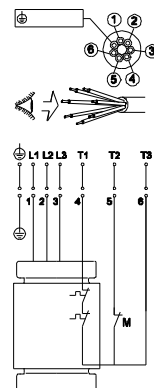
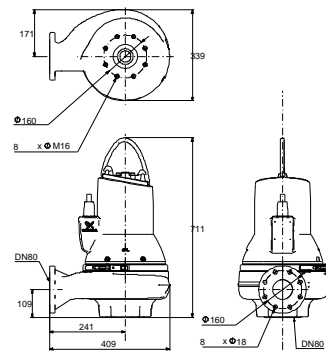
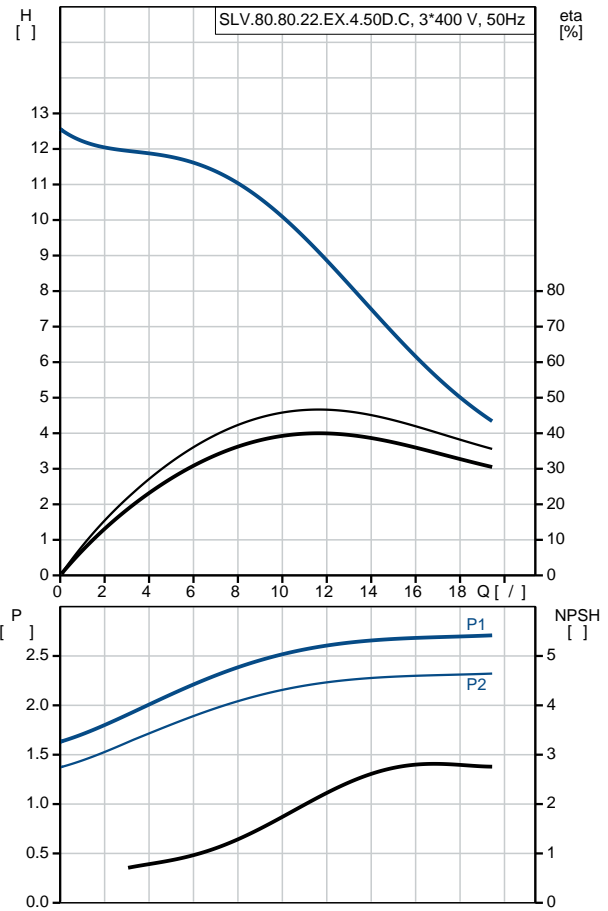
B

- P1: 2.7
 - P2: 2.2
 : 50 Hz
 : 3 x 380-415
 : +10/-10 %
 : 20
 : 5.6-5.7 A
 Cos phi - : 0.73
 Cos phi - : 3/4 : 0.65
 Cos phi - : 1/2 : 0.52
 : 1462 / : 85.7 %
 : 3/4 : 85.4 %
 : 1/2 : 82.9 %
 : 4
 :
 (IEC 34-5): IP68
 (IEC 85): H
 :
 : 10
 : LYNIFLEX
 :
 : 102
 C : HU
 : 8413702100

98626621 SLV.80.80.22.EX.4.50D.C 50

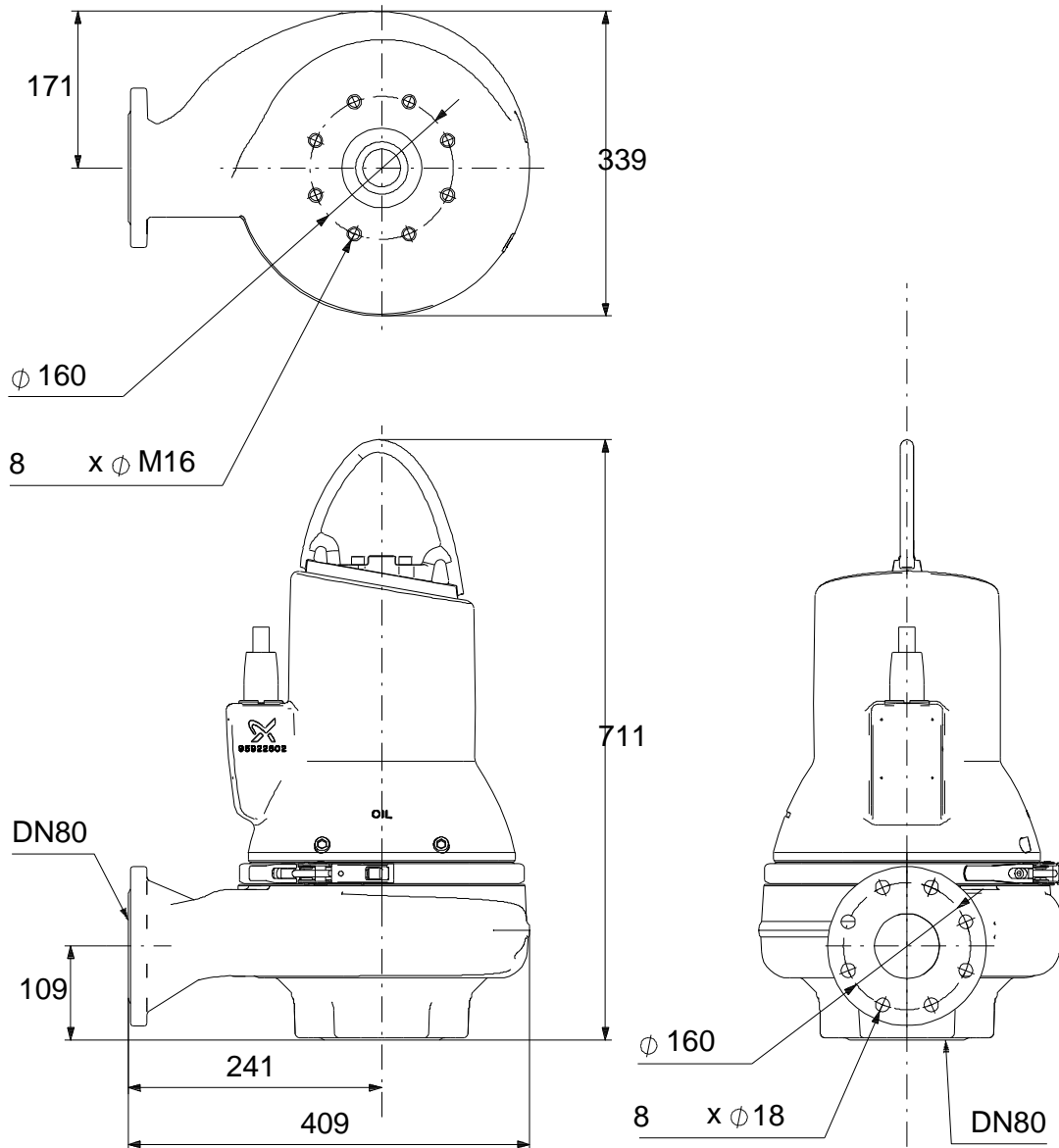


| | | |
|------------------------------|-------------|-------------------------|
| | | SLV.80.80.22.EX.4.50D.C |
| | | 98626621 |
| EAN | | 5711498476233 |
| Maximum flow: | | 19.4 / |
| Ma | | 19.4 / |
| | | 13.1 |
| | | SUPER VORTEX |
| | | 80 |
| | | SIC/SIC |
| | | CARBON/CERAMICS |
| | | CE, EN12050-1, ATEX |
| | | ISO9906:2012 3B2 |
| | | N |
| | | EN 5.1301 EN-GJL-250 |
| | | EN 5.1301 EN-GJL-250 |
| | | EN-GJL-250 |
| Maximum ambient temperature: | | 40 °C |
| | | DIN |
| | | 80 |
| | | 80 |
| | | PN 10 |
| | | 20 |
| | | SUBMERGED |
| | | Vertical |
| | | B |
| Maximum liquid temperature: | | 40 °C |
| | | 998.2 / 3 |
| | - P1: | 2.7 |
| | - P2: | 2.2 |
| | | 50 Hz |
| | | 3 x 380-415 |
| | | +10/-10 % |
| | | 20 |
| | | 5.6-5.7 A |
| Cos phi - | | 0.73 |
| Cos phi - | 3/4 | 0.65 |
| Cos phi - | 1/2 | 0.52 |
| | | 1462 / |
| | | 85.7 % |
| | 3/4 | 85.4 % |
| 1/2 | | 82.9 % |
| | | 4 |
| | (IEC 34-5): | IP68 |
| | (IEC 85): | H |

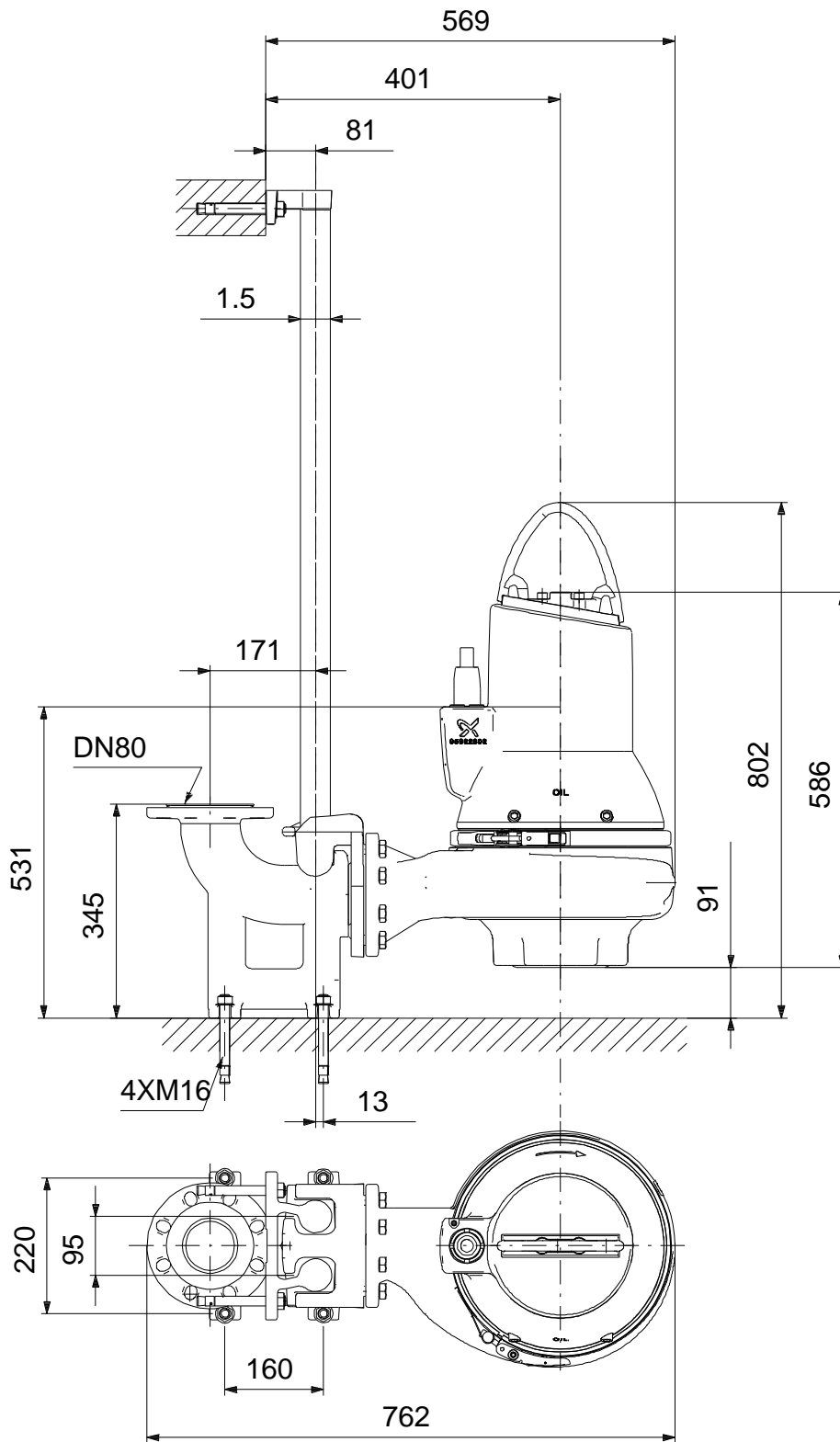


| | |
|---|------------|
| | |
| | |
| | |
| | 10 |
| | LYNIFLEX |
| | |
| | |
| | c |
| | |
| | |
| | 102 |
| C | HU |
| | 8413702100 |

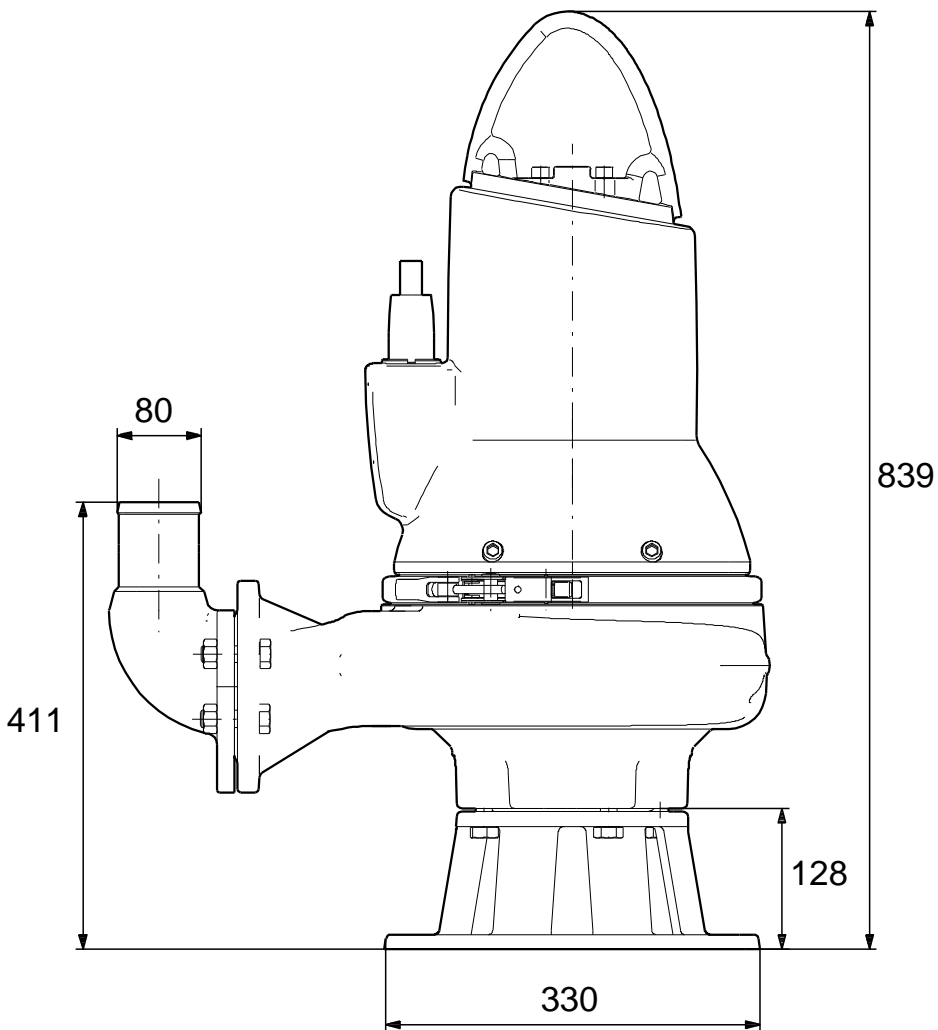
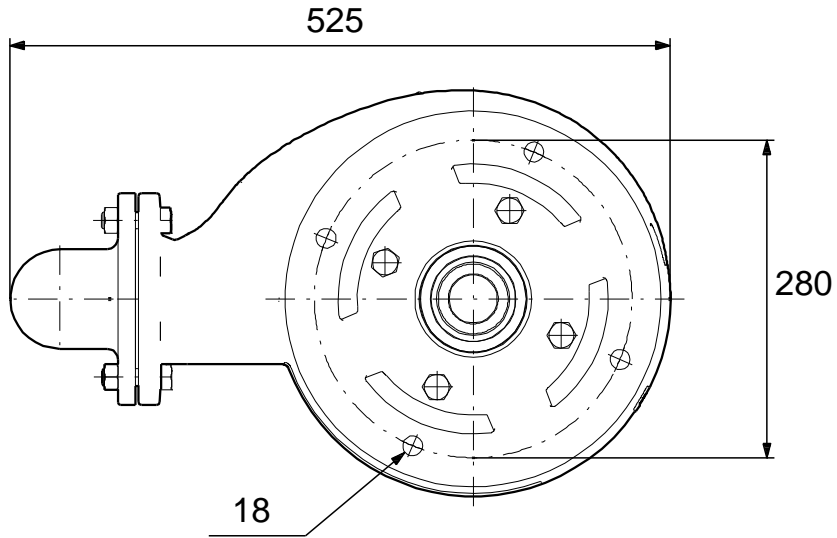
98626621 SLV.80.80.22.EX.4.50D.C 50



98626621 SLV.80.80.22.EX.4.50D.C 50



98626621 SLV.80.80.22.EX.4.50D.C 50



98626621 SLV.80.80.22.EX.4.50D.C 50

