

1 TPE2 50-240 N-A-F-A-BQQE-IDC



: 98416615

7005-2).

EN 12756. Pipework connection is via PN 16 DIN flanges (EN 1092-2 and ISO

IE5

IEC 60034-30-2.

Frequency converter:

: -25 .. 120 °C
: 20 °C
998.2 / ³

: 5500 /

33.1 ³/

19.6

: 74

: BQQE

- : ISO9906:2012 3B2

c : EN-GJL-250
ASTM class 35

PES+30% GF

: -20 .. 50 °C

16

- : 16 / 120 °C

: DIN

: DN 50

PN 16

280

: 56C

: 90LC

- : IE5

- P2: 2.2

: 50 / 60 Hz

: 3 x 380-500

: 4.35-3.55 A

Cos - : 0.91-0.85

: 480-5900 /

: 90.1%

: 90.1 %

(IEC 34-5): IP55

(IEC 85): F

: 99138046

:

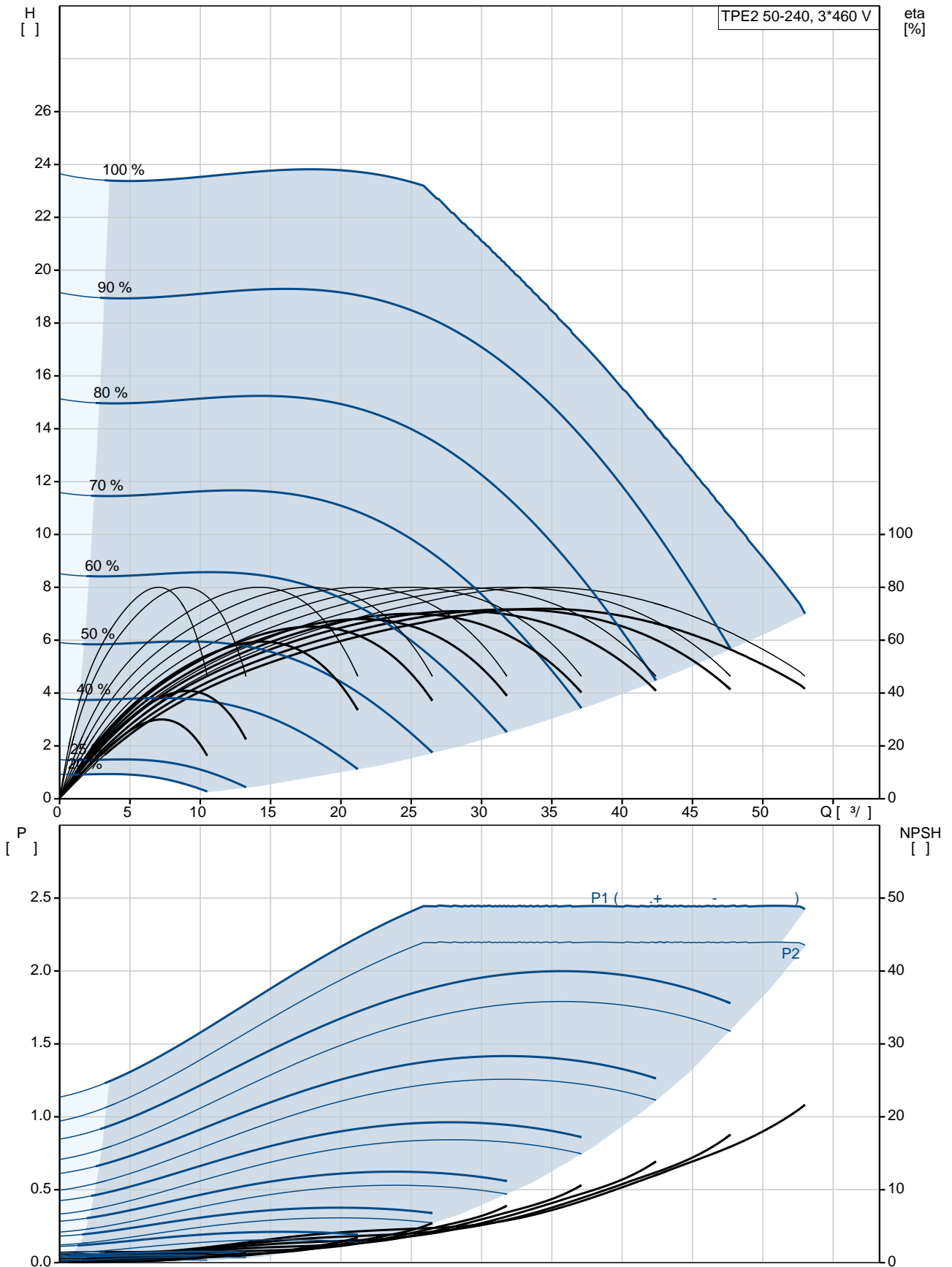
, MEI : 0.7

(): 30

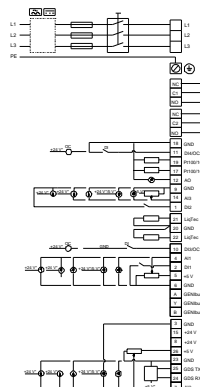
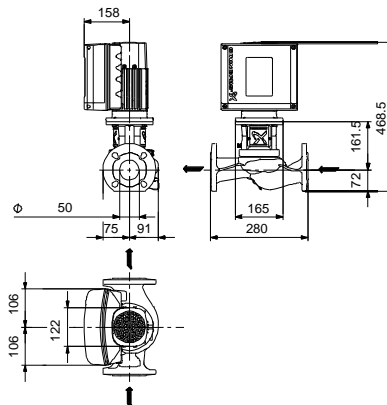
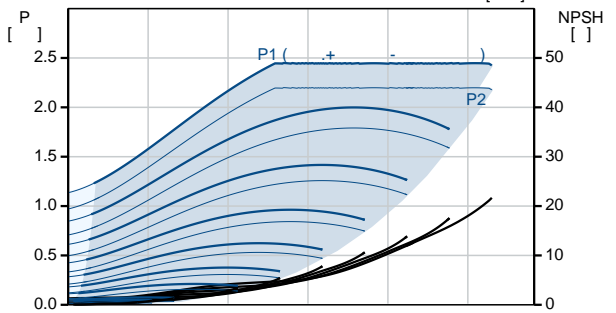
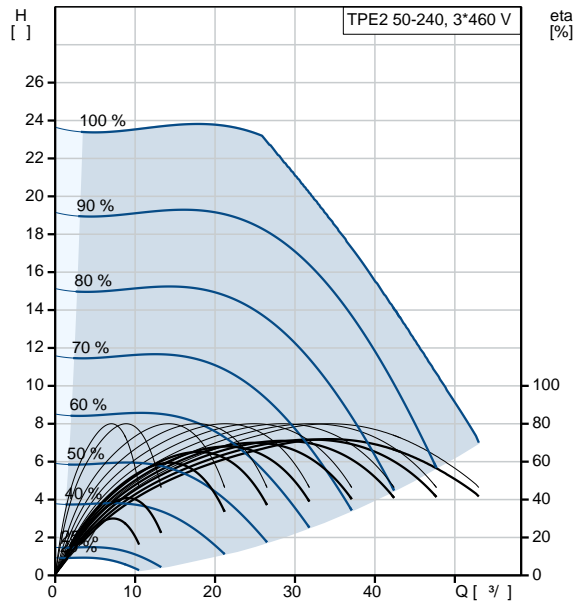
(): 37.2

: 0.1 ³

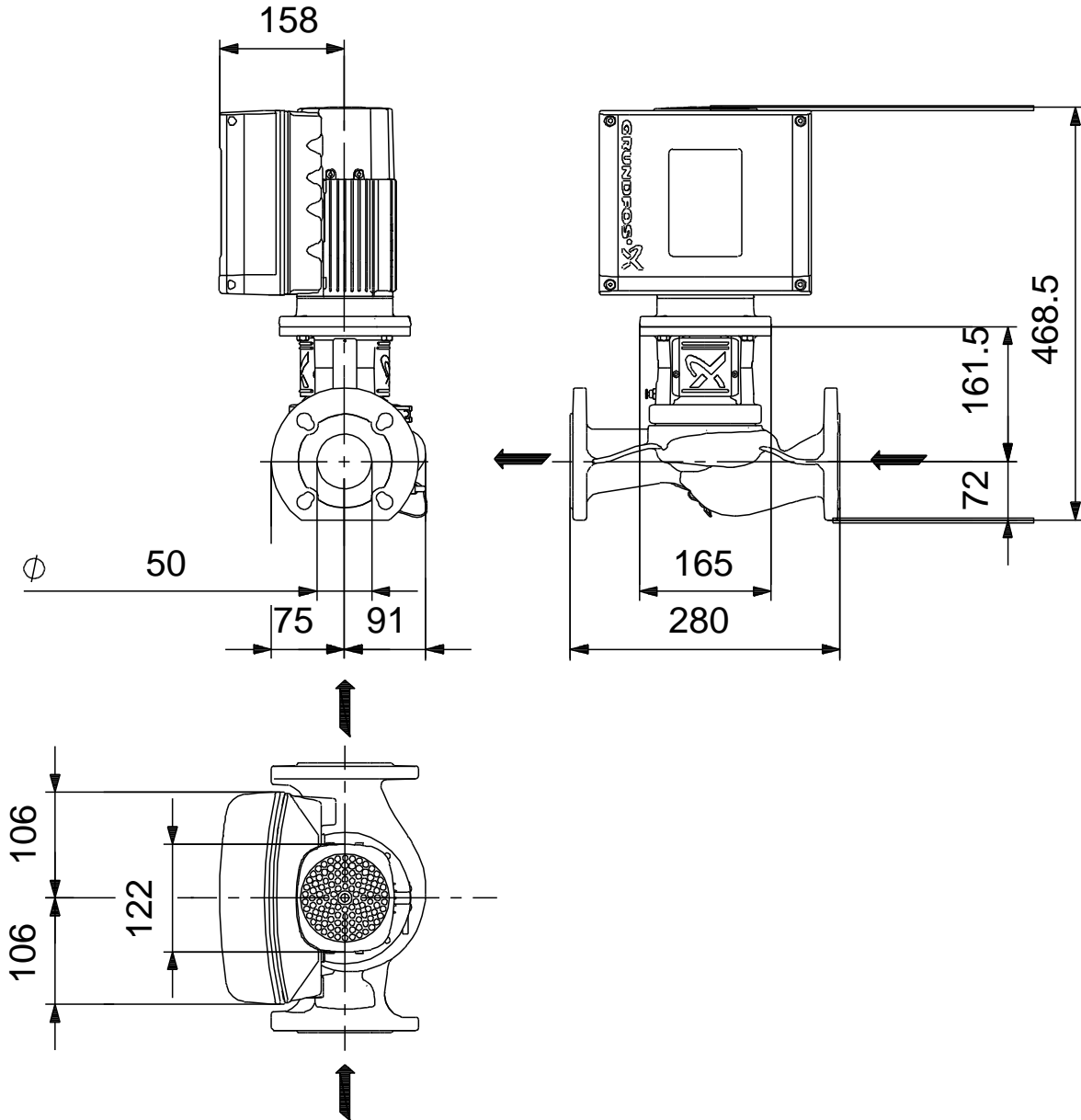
98416615 TPE2 50-240 N-A-F-A-BQQE-IDC



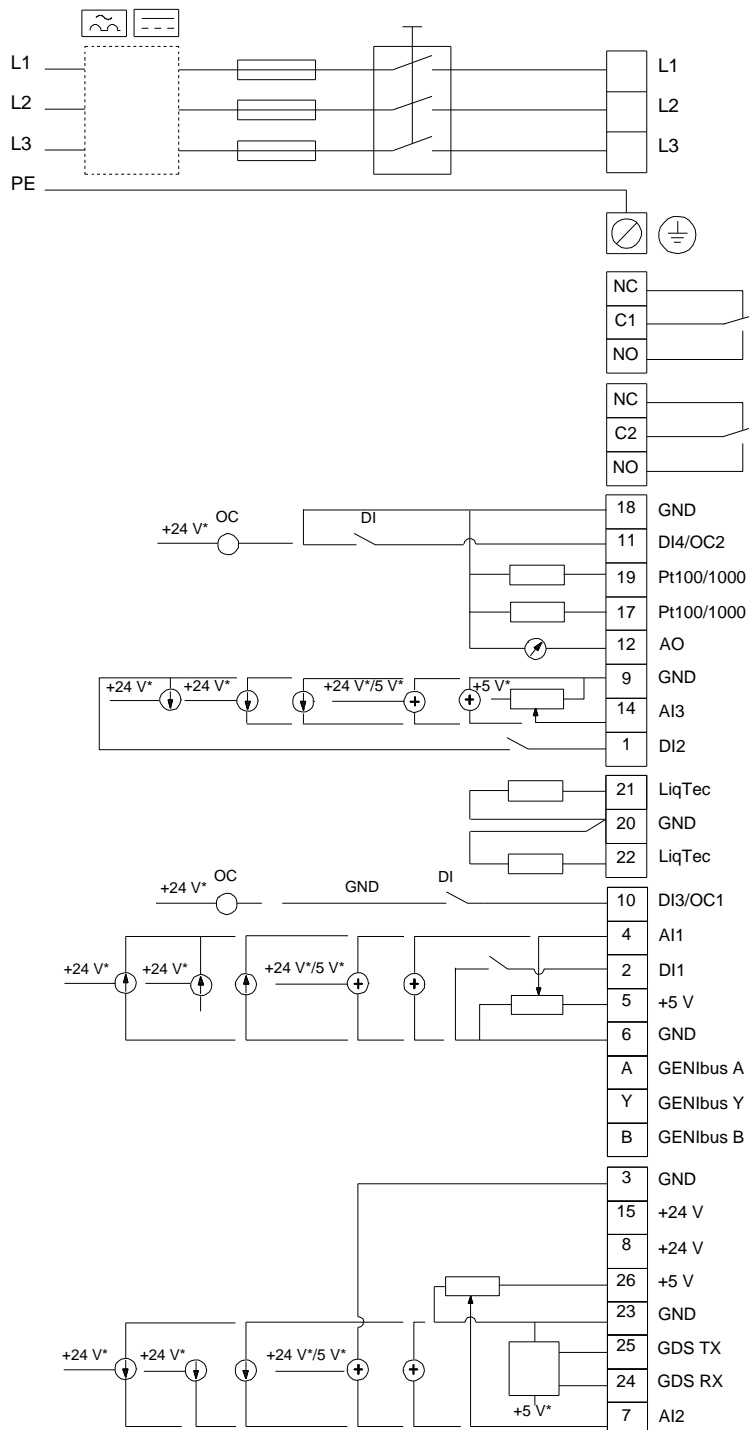
| | |
|-------------|----------------------|
| | TPE2 50-240 |
| | N-A-F-A-BQQE-IDC |
| | 98416615 |
| EAN | 5711494653751 |
| | 5500 / |
| | 33.1 ³ / |
| | 19.6 |
| | 240 |
| | 74 |
| | BQQE |
| | ISO9906:2012 3B2 |
| | A |
| c | EN-GJL-250 |
| | ASTM class 35 |
| | PES+30% GF |
| | A |
| | -20 .. 50 °C |
| | 16 |
| | 16 / 120 °C |
| | DIN |
| | DN 50 |
| | PN 16 |
| | 280 |
| | 56C |
| | F |
| | -25 .. 120 °C |
| | 20 °C |
| | 998.2 / ³ |
| | 90LC |
| | IE5 |
| - P2: | 2.2 |
| | 50 / 60 Hz |
| | 3 x 380-500 |
| | 4.35-3.55 A |
| Cos | 0.91-0.85 |
| | 480-5900 / |
| | 90.1% |
| | 90.1 % |
| (IEC 34-5): | IP55 |
| (IEC 85): | F |
| | ELEC |
| | 99138046 |



98416615 TPE2 50-240 N-A-F-A-BQQE-IDC



98416615 TPE2 50-240 N-A-F-A-BQQE-IDC



!

[], .