

1 CRIE 3-5 A-CA-A-E-HQQE



: 98389728

(" - "),

FlexiClamps.

1-

IE5

IEC

60034-30-2.

: « .» « .» « ».

Grundfos Eye

- « »:
- « »:
- « »:

Grundfos Go Remote ().

« », « », « »

5, 0(4)-20 , 0-5 , 0-10 , 0,5 - 3,5 ;
5, 0-10 , 0(4)-20 ;

Pt100/Pt1000;
LiqTec,

24 Grundfos;
GENibus;
CIM- Grundfos.

: -20 .. 120 °C
: 20 °C

: 998.2 / ³
 :
 : 3400 /
 : 3.5 ³/
 : 34
 :
 :
 : HQQE
 : CE, EAC, ACS
 - : ISO9906:2012 3B
 :
 :
 : EN 1.4408
 : AISI 316
 :
 , EN/DIN: EN 1.4301
 , AISI/ASTM: AISI 304
 : SIC
 :
 Maximum ambient temperature: 50 °C
 : 25
 :
 - : 25 / 120 °C
 25 / -20 °C
 : FlexiClamp
 : DN 32
 : DN 32
 : PN 25
 : FT100
 :
 : IEC
 : 80A
 - : IE5
 - P2: 0.75
 (2), : 0.75
 : 50 / 60 Hz
 : 1 x 200-240
 : 4.70-3.90 A
 Cos - : 0.99
 : 360-4000 /
 : 85.2%
 : 85.2 %
 (IEC 34-5): IP55
 (IEC 85): F
 : 98248266
 :
 Frequency converter:
 :
 :
 , MEI : 0.70
 (): 21.6
 (): 24.5
 : 0.143 ³

98389728 CRIE 3-5 A-CA-A-E-HQQE

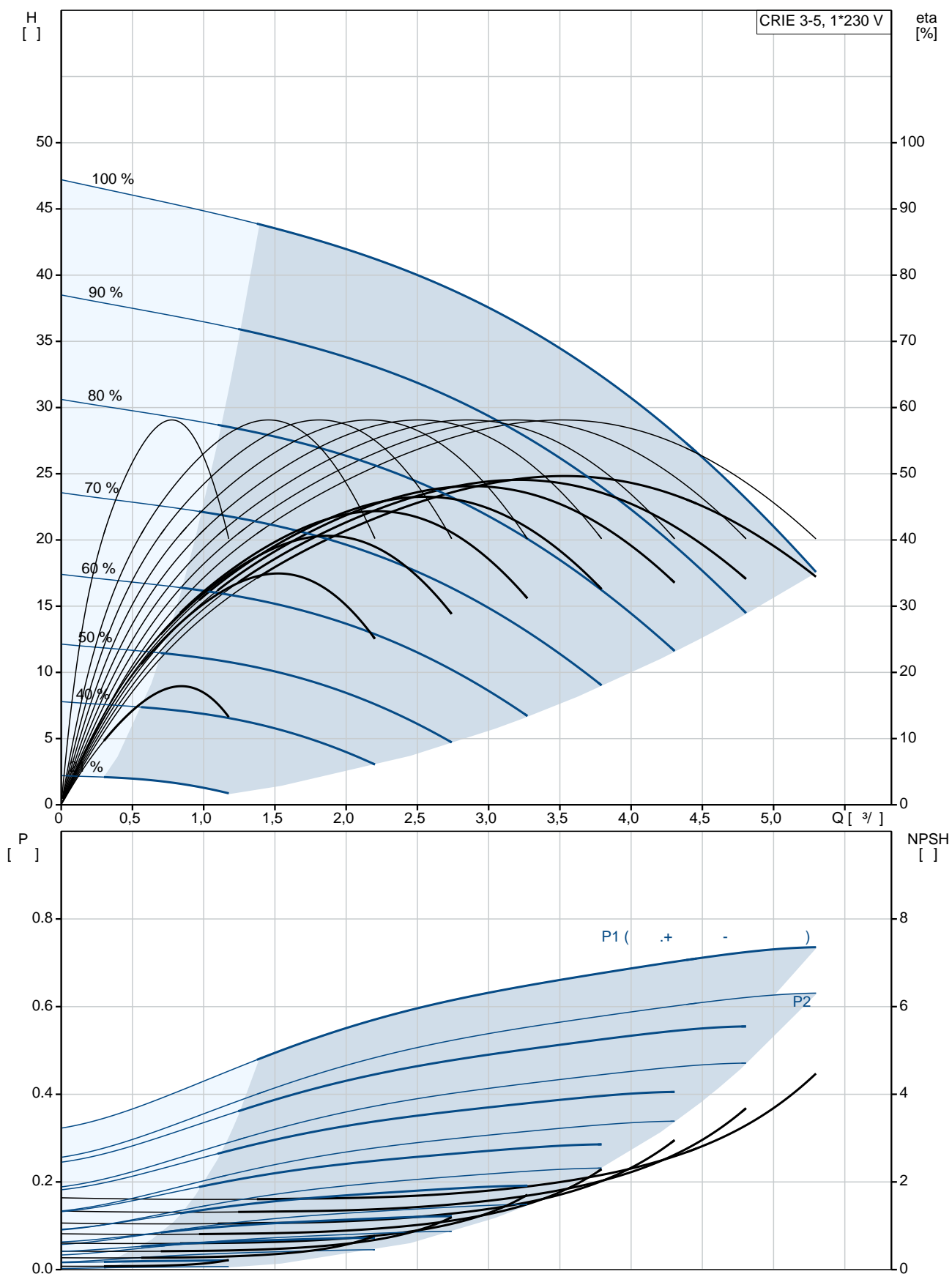
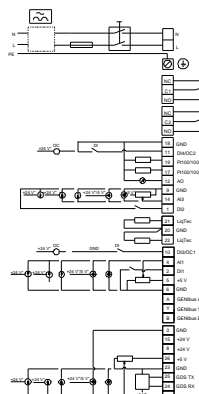
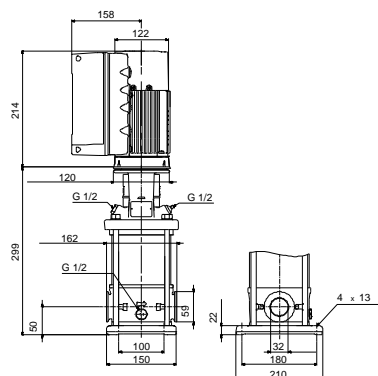


Figure 10 consists of two graphs showing the performance characteristics of the CRIE 3-5, 1*230 V pump.

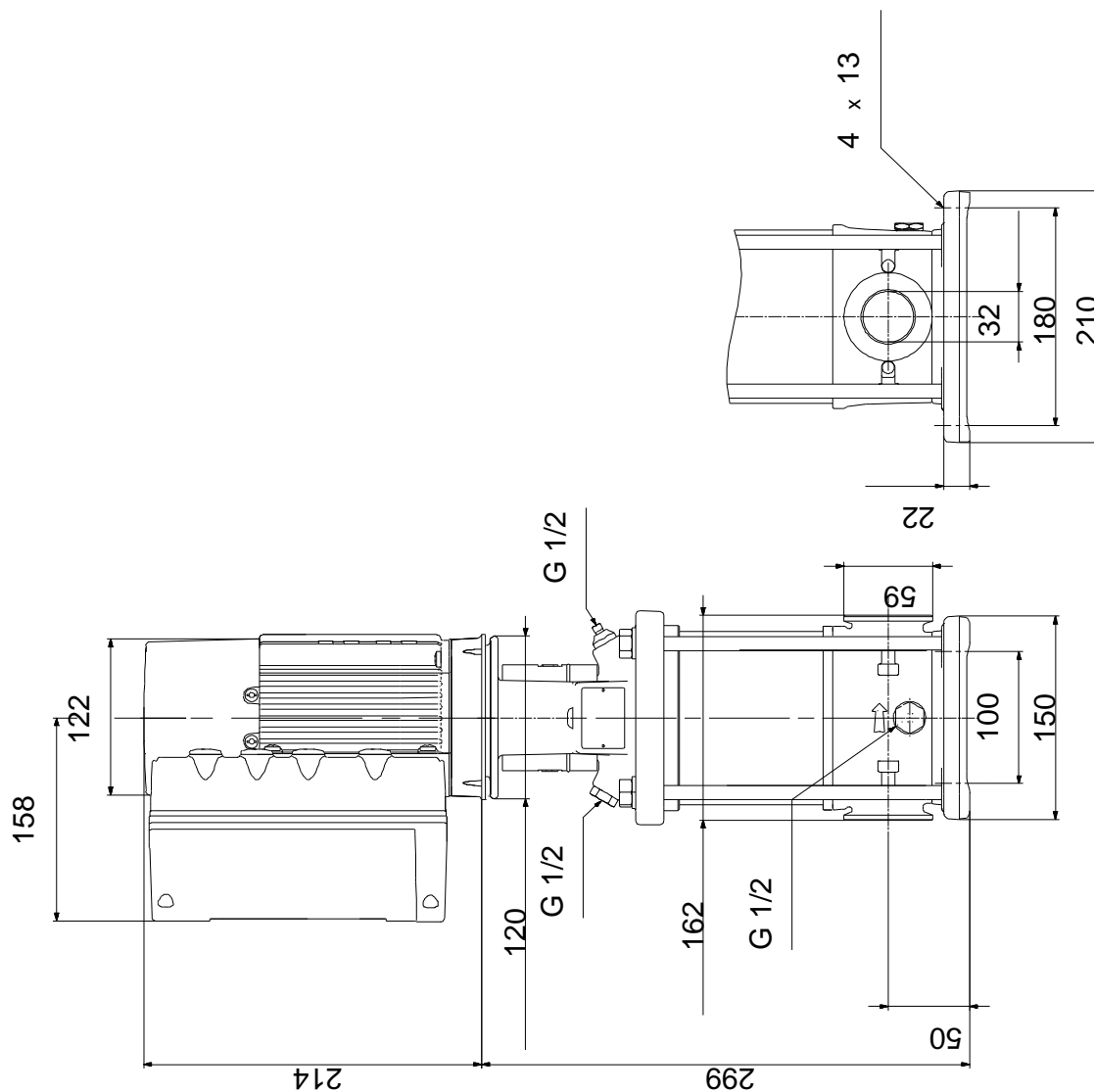
The top graph plots Head H [m] (left y-axis, 0 to 50) and Efficiency η [%] (right y-axis, 0 to 100) against Flow Rate Q [l/s] (x-axis, 0 to 5.0). The graph displays a family of curves for flow coefficients ranging from 1% to 100%. The efficiency curves are shown as a shaded blue area, and the head curves are shown as solid blue lines. The efficiency increases with flow rate, peaking around 4.0 l/s.

The bottom graph plots Pressure P [bar] (left y-axis, 0.0 to 0.8) and NPSH [m] (right y-axis, 0 to 8) against Flow Rate Q [l/s] (x-axis, 0 to 5.0). The graph shows two operating points, P1 and P2, with shaded blue regions indicating the range of values. The pressure curves are shown as solid blue lines, and the NPSH curves are shown as solid black lines. The pressure increases with flow rate, while the NPSH requirement also increases with flow rate.



(2),		0.75
:		
:		50 / 60 Hz
:		1 x 200-240
:		4.70-3.90 A
Cos -		0.99
:		
:		360-4000 /
:		85.2%
:		85.2 %
(IEC 34-5):		IP55
(IEC 85):		F
:		ELEC
:		98248266
:		
:		
:		FM300 - Advanced
:		()
:		
:		
:		
, MEI :		0.70
():		21.6
():		24.5
:		0.143 ³
Config. file no:		98498685

98389728 CRIE 3-5 A-CA-A-E-HQQE



98389728 CRIE 3-5 A-CA-A-E-HQQE

