

: 16.3
 : AUUE
 : CE,TR
 - : ISO9906:2012 3B

 :
 :
 : ASTM B 265
 :
 : ASTM B 265
 : NONE

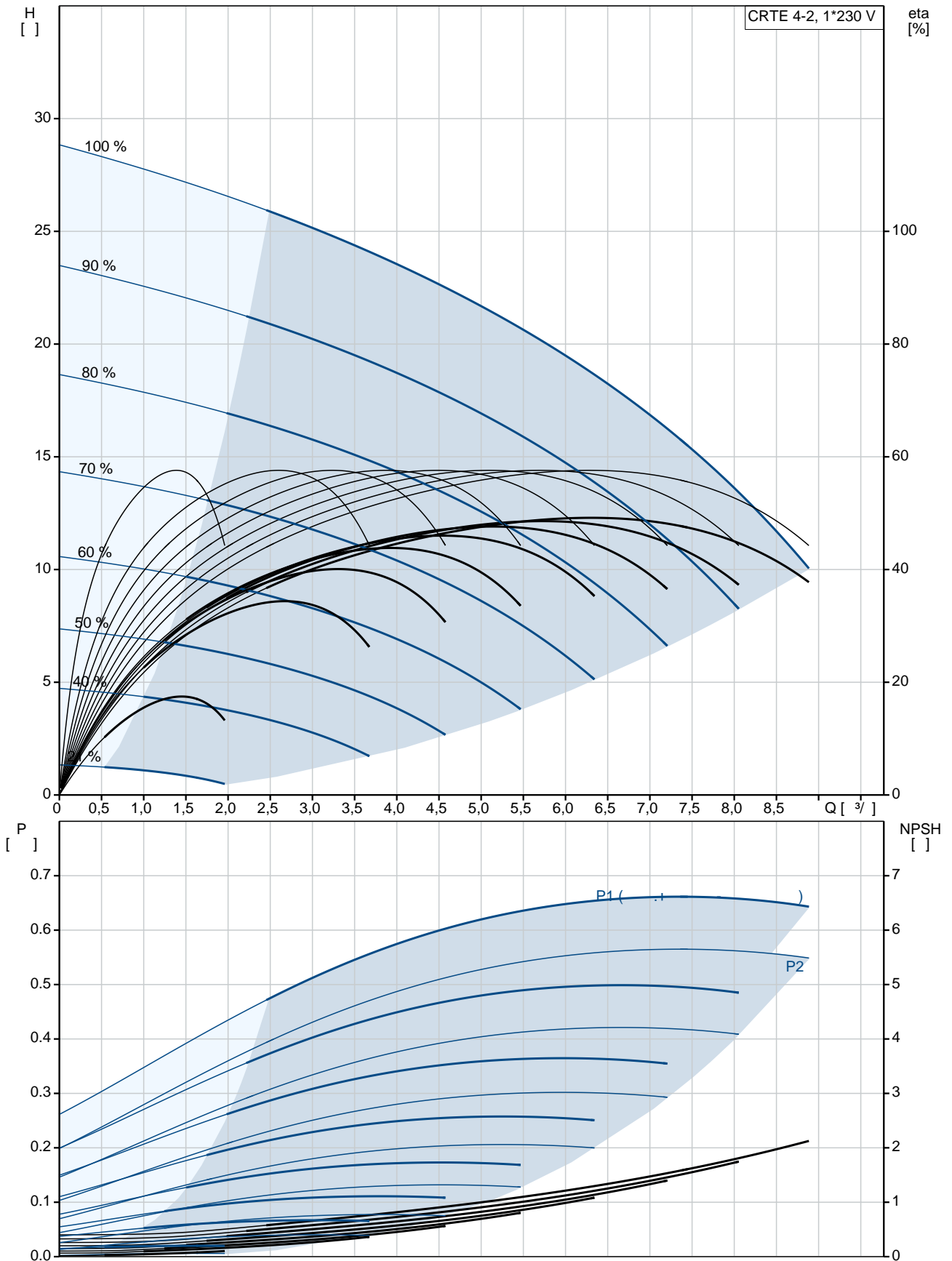
 :
 Maximum ambient temperature: 50 °C
 . : 25 / 120 °C
 : 25 / -20 °C

 : PJE
 : 42,4 mm
 : FT100

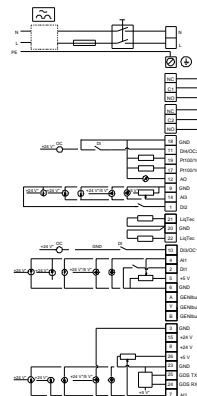
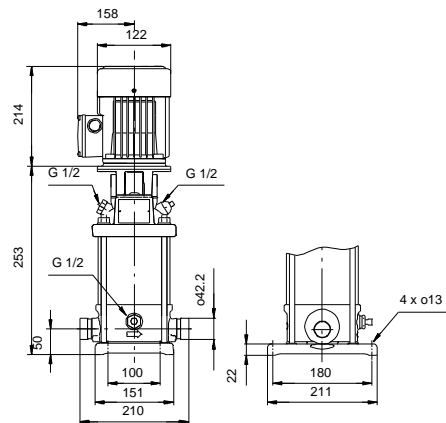
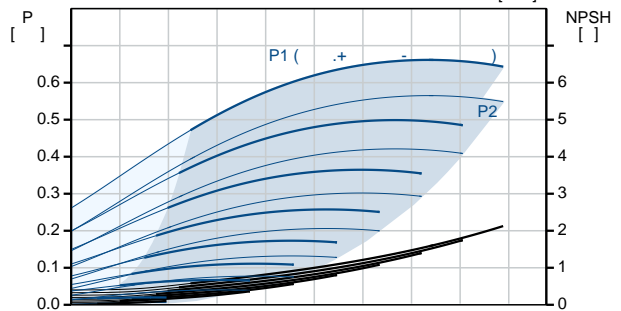
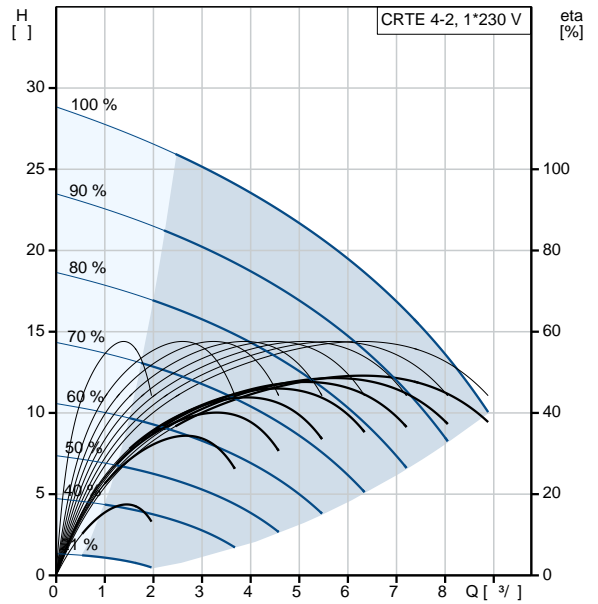
 :
 : 80A
 - : IE5
 - P2: 0.75
 : 50 / 60 Hz
 : 1 x 200-240
 : 4.70-3.90 A
 Cos - : 0.99
 : 360-4000 /
 : 85.2%
 (IEC 34-5): IP55
 (IEC 85): F
 : 98248266

 :
 : MEI : 0.7
 : 20

98388871 CRTE 4-2 A-P-A-E-AUUE



| | |
|------------------------------|-----------------------|
| | CRTE 4-2 A-P-A-E-AUUE |
| | 98388871 |
| EAN | 5711494167951 |
| | 3500 / |
| | 16.3 |
| Maximum head: | 28 |
| | 28 |
| | 2 |
| | 2 |
| | AUUE |
| | CE,TR |
| | ISO9906:2012 3B |
| | A |
| | A |
| | ASTM B 265 |
| | ASTM B 265 |
| | A |
| | E |
| | NONE |
| Maximum ambient temperature: | 50 °C |
| | 25 / 120 °C |
| | 25 / -20 °C |
| | PJE |
| | 42,4 mm |
| | FT100 |
| | P |
| | -20 .. 120 °C |
| | 20 °C |
| | 998.2 / 3 |
| | 80A |
| | IE5 |
| | - P2: 0.75 |
| | 50 / 60 Hz |
| | 1 x 200-240 |
| | 4.70-3.90 A |
| Cos | 0.99 |
| | 360-4000 / |
| | 85.2% |
| (IEC 34-5): | IP55 |
| (IEC 85): | F |
| | ELEC |
| | 98248266 |
| | HMI200 - |



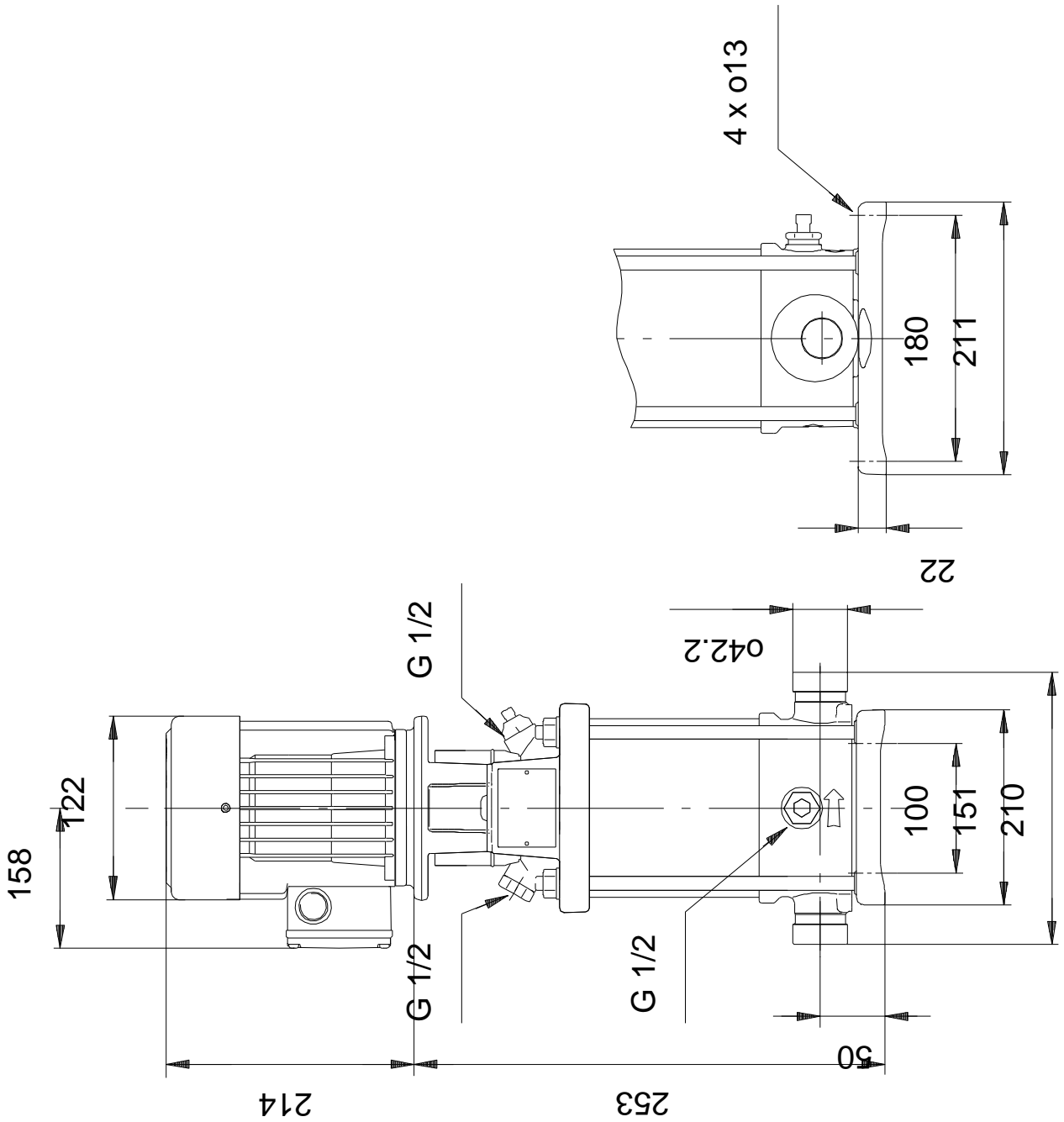
FM300 - Advanced
()

MEI : 0.7

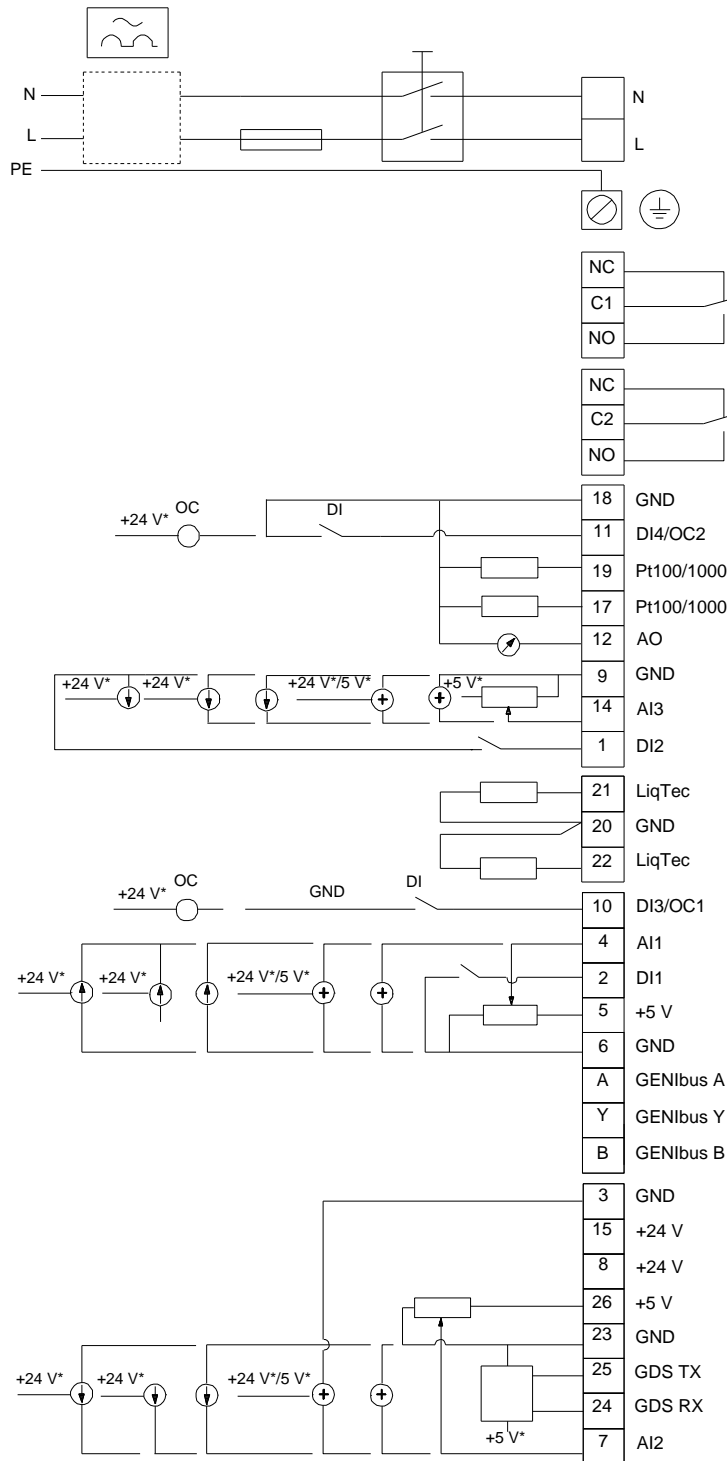
: 20

: 98390432

98388871 CRTE 4-2 A-P-A-E-AUUE



98388871 CRTE 4-2 A-P-A-E-AUUE



!

[], .