

1 TPE 32-250/2-S A-F-A-BAQE



: 98112538

12756. Pipework connection is via PN 16 DIN flanges (EN 1092-2 and ISO 7005-2).

EN

IE5

IEC 60034-30-2.

: 0 .. 120 °C  
: 20 °C  
998.2 / 3

: 2900 /

15.1 3/  
19.1

: BAQE  
- : ISO9906:2012 3B

c : EN-JL1040  
A48-40 B

, EN/DIN: EN-JL1030  
, AISI/ASTM: A48-30 B

: -20 .. 50 °C

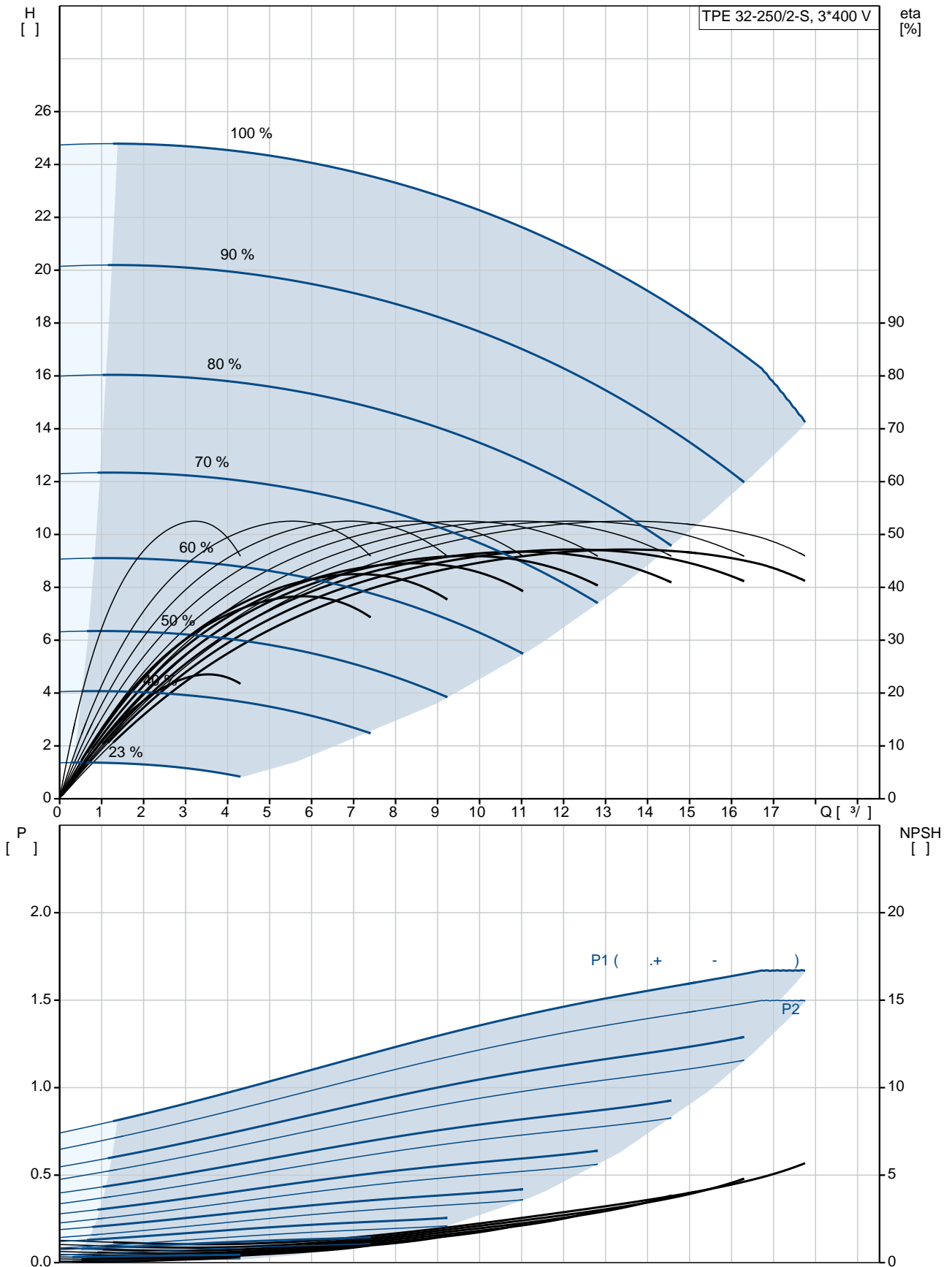
16  
: DIN  
: DN 32

: PN 16  
340

: 90SC

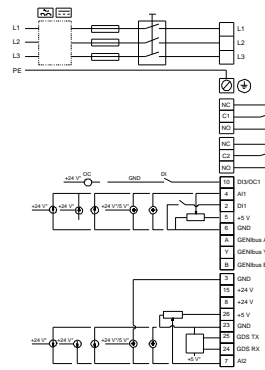
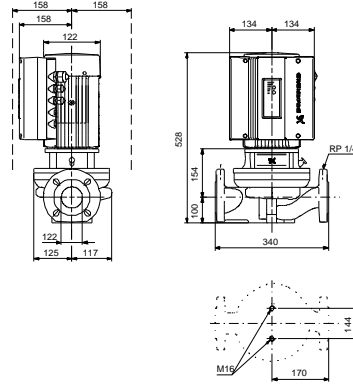
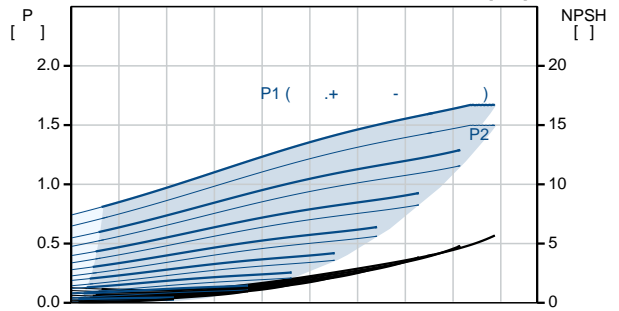
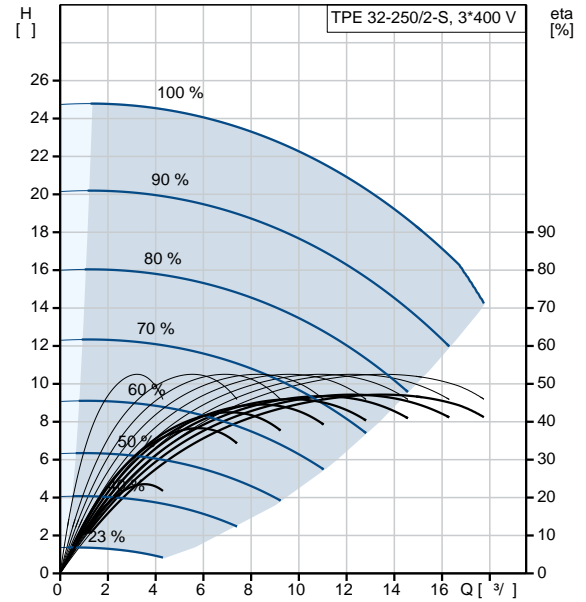
- : IE5  
 - P2: 1.5  
 : 50 Hz  
 : 3 x 380-500  
 : 2.90-2.40 A  
 Cos - : 0.92-0.85  
 : 360-4000 /  
 : 88.9% : 88.9 %  
 (IEC 34-5): IP55  
 (IEC 85): F  
 : 98362354  
 :  
 , MEI : 0.70  
 ( ): 45  
 ( ): 59  
 : 0.13 <sup>3</sup>  
 Danish VVS No.: 382661250  
 C : HU  
 : 8413705100

## 98112538 TPE 32-250/2-S A-F-A-BAQE 50



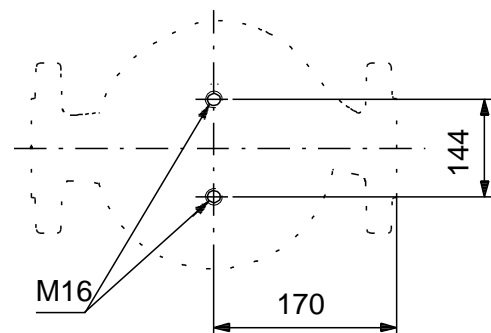
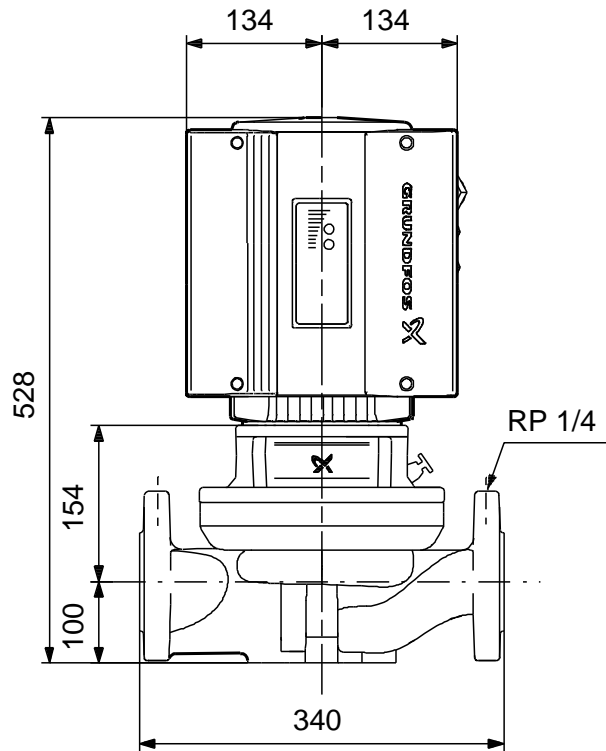
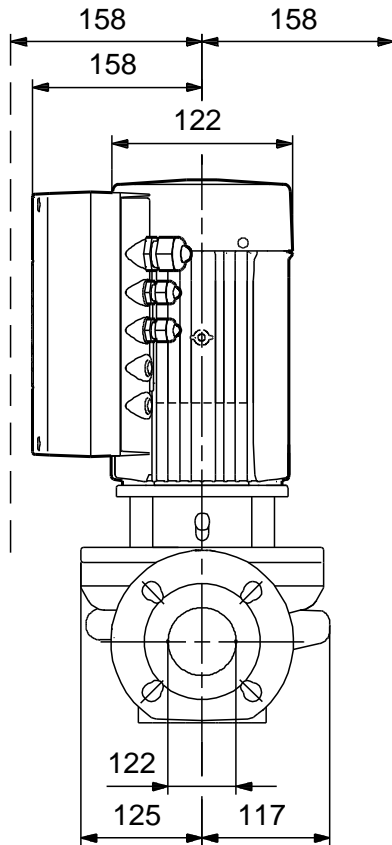
16.12.2020

|             |   |                              |
|-------------|---|------------------------------|
|             |   | TPE 32-250/2-S<br>A-F-A-BAQE |
|             |   | 98112538                     |
| EAN         | : | 5710629214171                |
|             |   | 2900 /                       |
|             |   | 15.1 <sup>3</sup> /          |
|             |   | 19.1                         |
|             |   | 250                          |
|             |   | BAQE                         |
|             |   | ISO9906:2012 3B              |
|             |   | A                            |
| c           |   | EN-JL1040<br>A48-40 B        |
|             |   | EN/DIN: EN-JL1030            |
|             |   | AISI/ASTM: A48-30 B          |
|             |   | A                            |
|             |   | -20 .. 50 °C                 |
|             |   | 16                           |
|             |   | DIN                          |
|             |   | DN 32                        |
|             |   | PN 16                        |
|             |   | 340                          |
|             |   | F                            |
|             |   | 0 .. 120 °C                  |
|             |   | 20 °C                        |
|             |   | 998.2 / <sup>3</sup>         |
|             |   | 90SC                         |
|             |   | IE5                          |
| - P2:       |   | 1.5                          |
|             |   | 50 Hz                        |
|             |   | 3 x 380-500                  |
|             |   | 2.90-2.40 A                  |
| Cos         | - | 0.92-0.85                    |
|             |   | 360-4000 /                   |
|             |   | 88.9%                        |
|             |   | 88.9 %                       |
| (IEC 34-5): |   | IP55                         |
| (IEC 85):   |   | F                            |
|             |   | 98362354                     |
|             |   | HMI300 -                     |
|             |   | FM200 - Standard             |



|                 |                   |
|-----------------|-------------------|
|                 |                   |
| , MEI :         | 0.70              |
| ( ):            | 45                |
| ( ):            | 59                |
| :               | 0.13 <sup>3</sup> |
| Danish VVS No.: | 382661250         |
| C :             | HU                |
| :               | 8413705100        |

## 98112538 TPE 32-250/2-S A-F-A-BAQE 50



## 98112538 TPE 32-250/2-S A-F-A-BAQE 50

