

1

: SBA 3-45 A



: 97896290

Grundfos SBA 3-45 A —

SBA

SBA,
SB,

SBA 3-45 A

15

— 10
0 °C 40 °C.

2,2

SBA 3-45 A —

— 1

« »

: 0 .. 40 °C

: 20 °C

998.2 / ³

: 2.83 ³/

: 30.1

: 1

: CE, VDE, WEEE

- : ISO9906:2012 3B

Return valve:

Adjustable start pressure:

N

: 2.2

: 2800 /

Composite

: -10 .. 50 °C

Type of inlet connection:

STRAINER

G 1"

: 10

P1: 1.05

Rated power - P2:

0.62

: 50 Hz

: 1 x 220-240

: 4.8 A

: 12 A

Cos :

0.94

: 13 /450

(IEC 34-5): IP68

(IEC 85): F

Built-in motor protection:

Length of cable:

15

: H07RN-F 3G1

SCHUKO

(): 9.69
(): 10.4
: 0.022 ³

Danish VVS No.: 391367045

Swedish RSK No.: 5850421

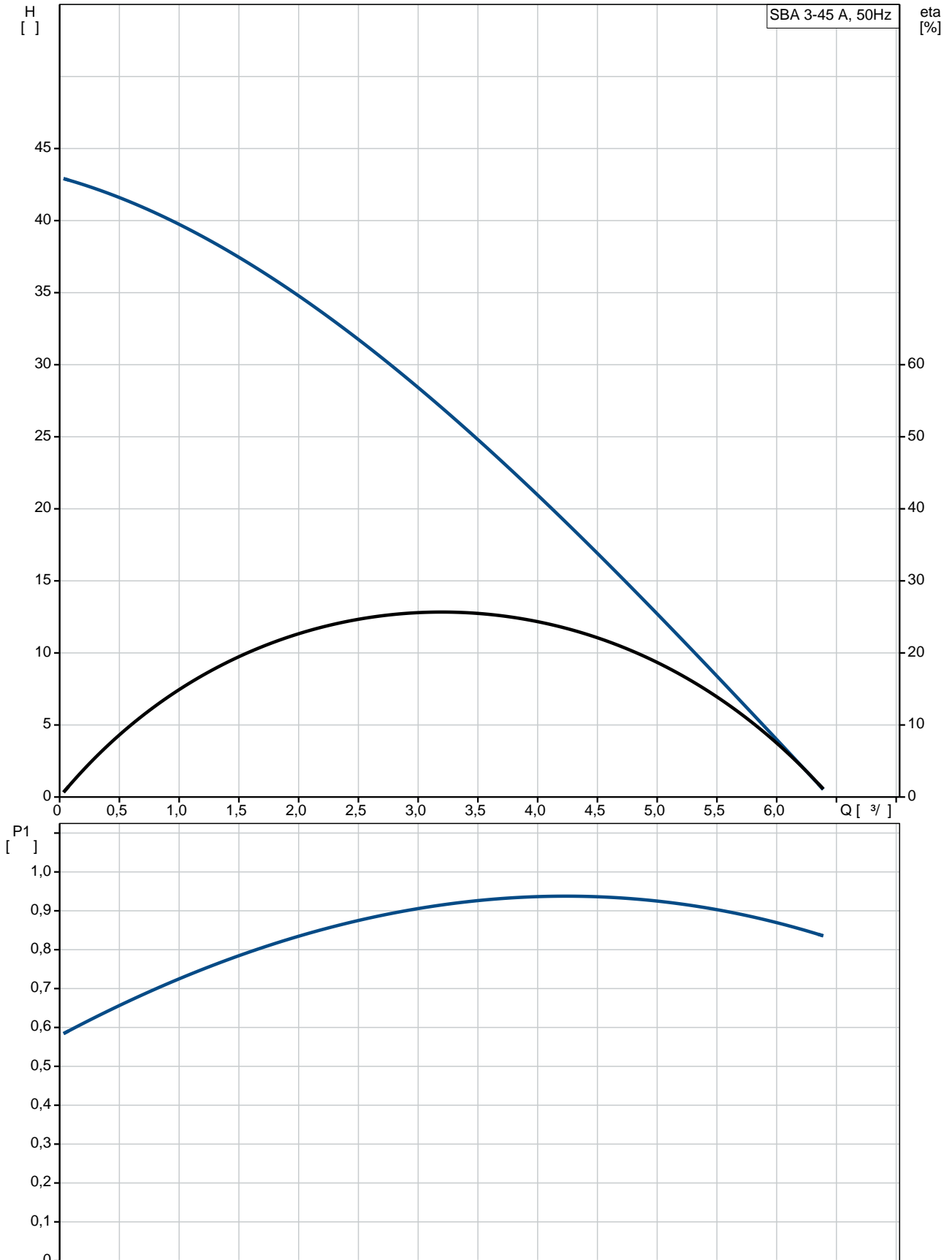
Finnish LVI No.: 4822546

Norwegian NRF no.: 9041859

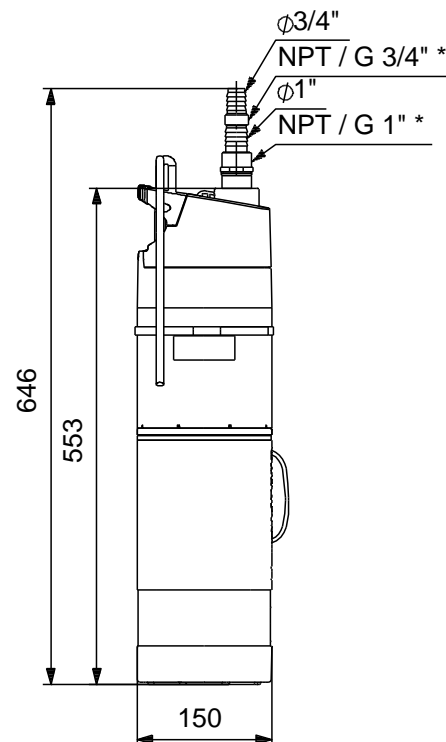
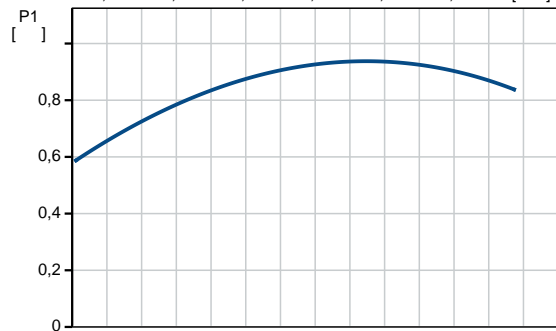
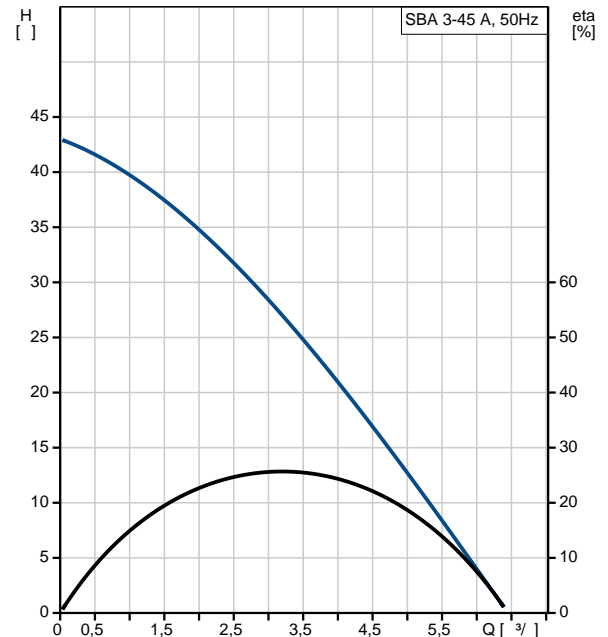
C : IT

: 8413702900

97896290 SBA 3-45 A 50



		SBA 3-45 A
		97896290
EAN	:	5710626001750
		2.83 ^{3/}
		30.1
		45
		4
		1
		CE, VDE, WEEE
		ISO9906:2012 3B
Return valve:		
Adjustable start pressure:		N
		2.2
		2800 /
		Composite
		-10 .. 50 °C
Type of inlet connection:		STRAINER
		G 1"
		10
		0 .. 40 °C
		20 °C
		998.2 / ³
pH:		4-9
P1: 1.05		
Rated power - P2:		0.62
		50 Hz
		1 x 220-240
		4.8 A
		12 A
Cos	:	0.94
		13 /450
(IEC 34-5):		IP68
(IEC 85):		F
Built-in motor protection:		
Length of cable:		15
		H07RN-F 3G1
		SCHUKO
():		9.69
():		10.4
		0.022 ³
Danish VVS No.:		391367045
Swedish RSK No.:		5850421
Finnish LVI No.:		4822546
Norwegian NRF no.:		9041859
C	:	IT
		8413702900



97896290 SBA 3-45 A 50

