

1

: SBA 3-35 AW



: 97896288

Grundfos SBA 3-35 AW —

SBA,  
SB,

SBA

SBA 3-35 AW

15

— 0 °C 10 40 °C.

2,2

SBA 3-35 AW —

— 1

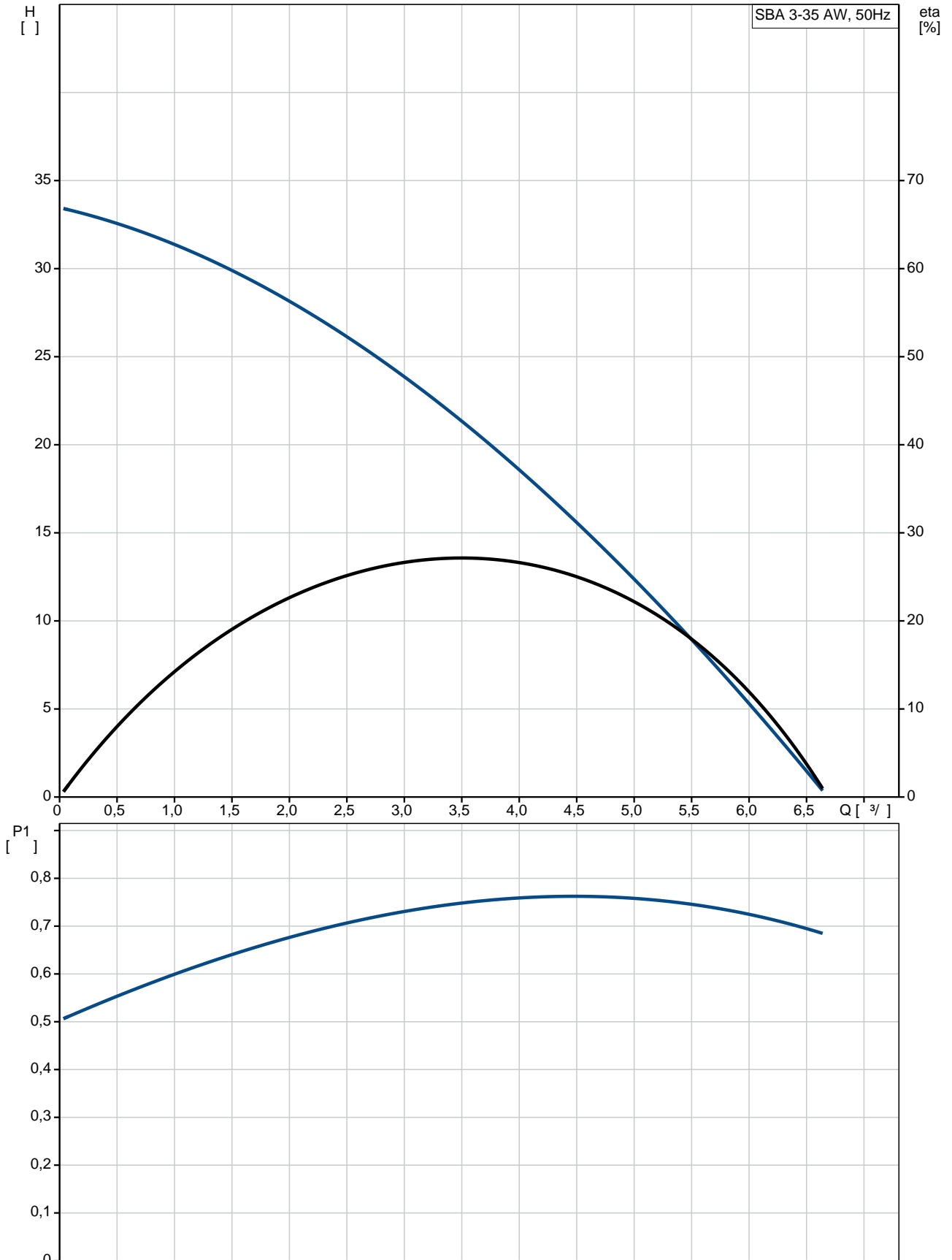
« »

/

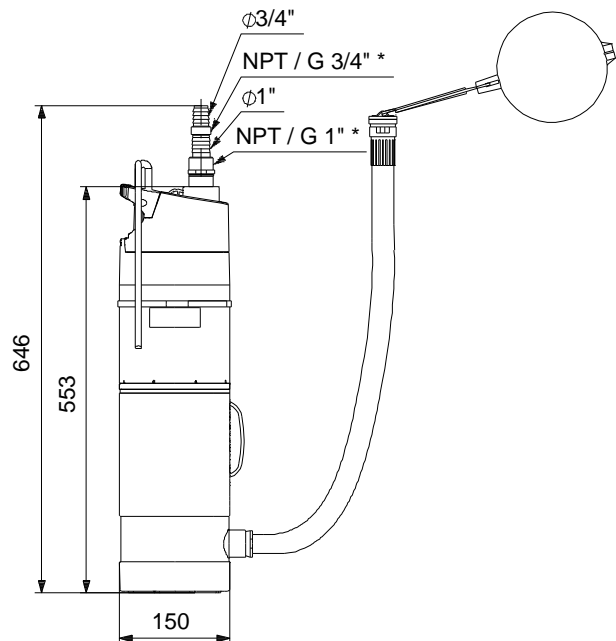
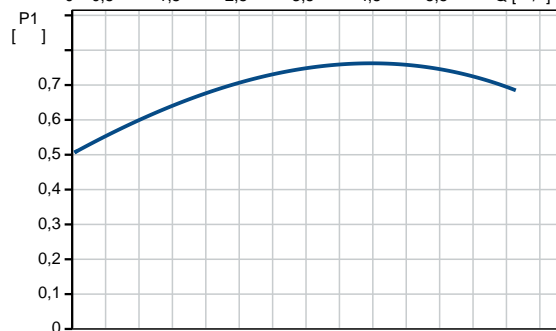
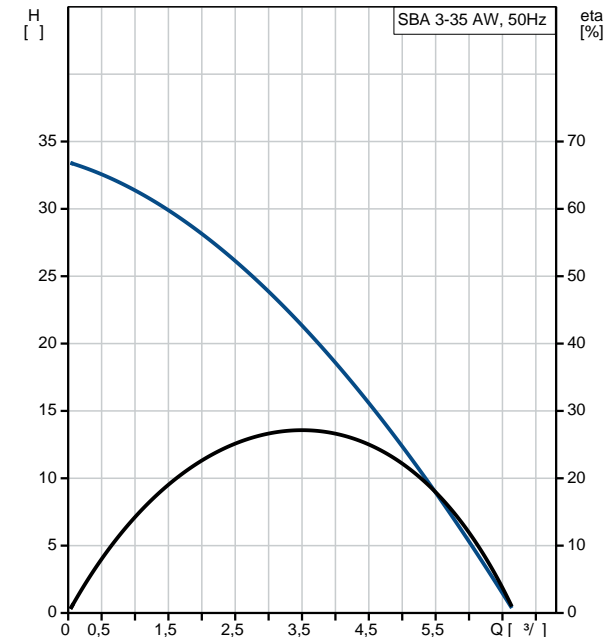
: 0 .. 40 °C  
: 20 °C  
998.2 / <sup>3</sup>

: 2.76 <sup>3</sup>/<sub>l</sub>  
 : 25.2  
 : 1  
 : CE,VDE,WEEE  
 - : ISO9906:2012 3B  
 Return valve:  
 Adjustable start pressure: N  
 : 1.5  
 : 2800 /  
 :  
 : Composite  
 :  
 : -10 .. 50 °C  
 Type of inlet connection: FLOATING STRAINER  
 : G 1"  
 : 10  
 :  
 P1: 0.8  
 Rated power - P2: 0.54  
 : 50 Hz  
 : 1 x 220-240  
 : 3.8 A  
 : 12 A  
 Cos : 0.94  
 : 13 /450  
 (IEC 34-5): IP68  
 (IEC 85): F  
 Built-in motor protection:  
 Length of cable: 15  
 : H07RN-F 3G1  
 : SCHUKO  
 :  
 ( ): 9.56  
 ( ): 10.3  
 : 0.031 <sup>3</sup>  
 Danish VVS No.: 391368035  
 Swedish RSK No.: 5850419  
 Finnish LVI No.: 4822597  
 Norwegian NRF no.: 9041875  
 C : IT  
 : 8413702900

## 97896288 SBA 3-35 AW 50



	SBA 3-35 AW
	97896288
EAN	5710626001736
	2.76 <sup>3</sup> /
	25.2
	34
	3
	1
	CE, VDE, WEEE
	ISO9906:2012 3B
Return valve:	
Adjustable start pressure:	N
	1.5
	2800 /
	Composite
	-10 .. 50 °C
Type of inlet connection:	FLOATING STRAINER
	G 1"
	10
	0 .. 40 °C
	20 °C
	998.2 / <sup>3</sup>
pH:	4-9
P1:	0.8
Rated power - P2:	0.54
	50 Hz
	1 x 220-240
	3.8 A
	12 A
Cos	0.94
	13 /450
(IEC 34-5):	IP68
(IEC 85):	F
Built-in motor protection:	
Length of cable:	15
	H07RN-F 3G1
	SCHUKO
( ):	9.56
( ):	10.3
	0.031 <sup>3</sup>
Danish VVS No.:	391368035
Swedish RSK No.:	5850419
Finnish LVI No.:	4822597
Norwegian NRF no.:	9041875
C	IT



8413702900

**97896288 SBA 3-35 AW 50**

