

1

: SBA 3-35 A



: 97896286

Grundfos SBA 3-35 A —

SBA

SBA,
SB,

SBA 3-35 A

15

— 10
0 °C 40 °C.

2,2

SBA 3-35 A —

— 1

« »

: 0 .. 40 °C

: 20 °C

998.2 / ³

: 2.76 ³/

: 25.2

: 1

: CE, VDE, WEEE

- : ISO9906:2012 3B

Return valve:

Adjustable start pressure:

N

: 1.5

: 2800 /

Composite

: -10 .. 50 °C

Type of inlet connection:

STRAINER

G 1"

: 10

P1: 0.8

Rated power - P2:

0.54

: 50 Hz

: 1 x 220-240

: 3.8 A

: 12 A

Cos :

0.94

: 13 /450

(IEC 34-5): IP68

(IEC 85): F

Built-in motor protection:

Length of cable:

15

: H07RN-F 3G1

SCHUKO

(): 9.42
(): 10
: 0.022 ³

Danish VVS No.: 391367035

Swedish RSK No.: 5850417

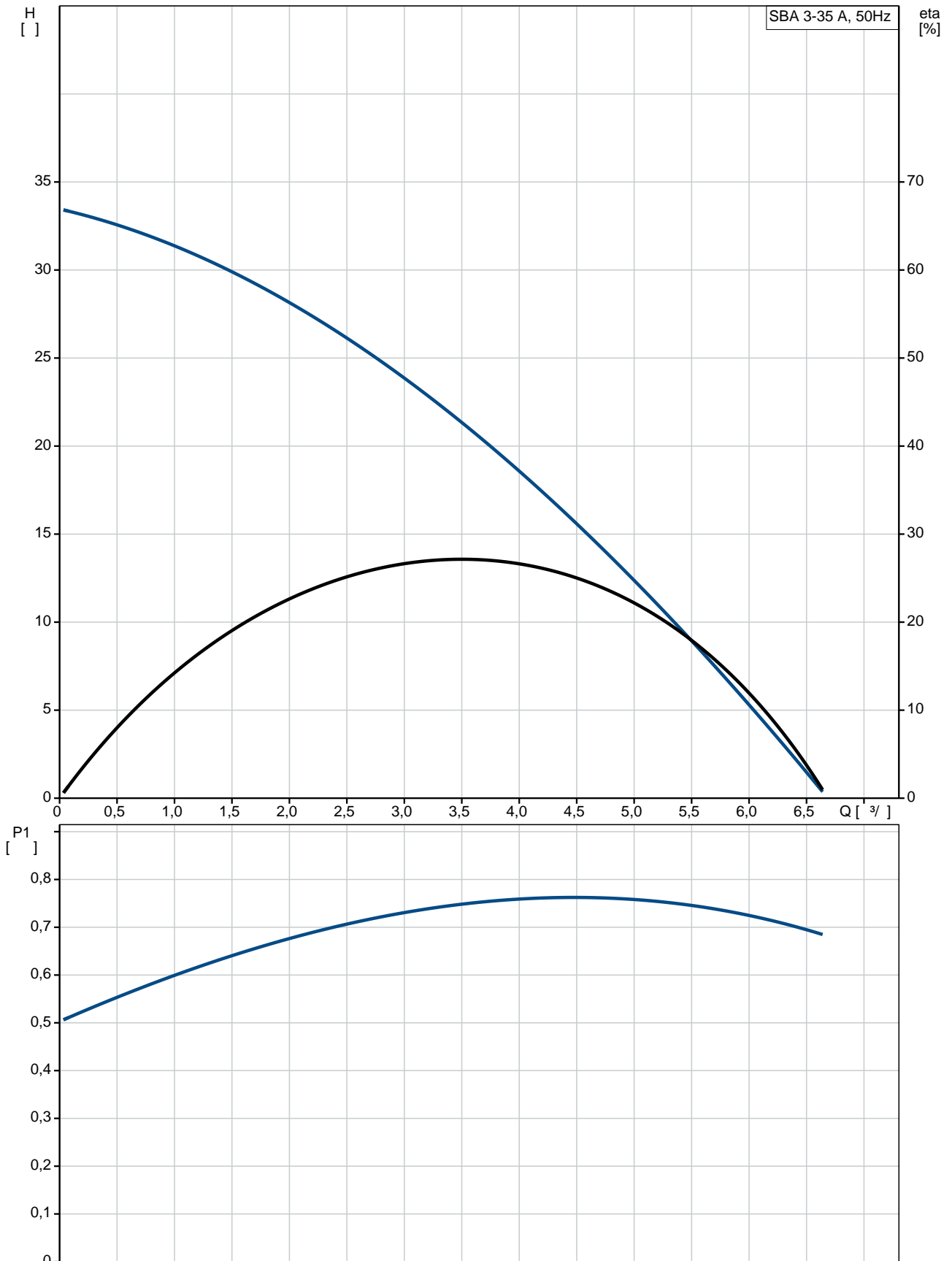
Finnish LVI No.: 4822596

Norwegian NRF no.: 9041873

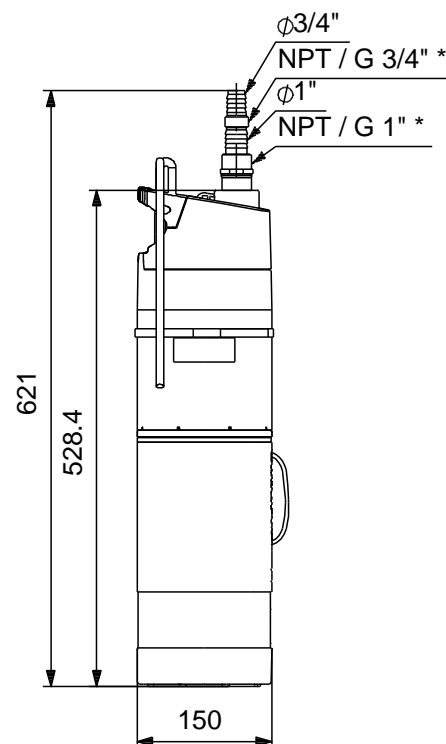
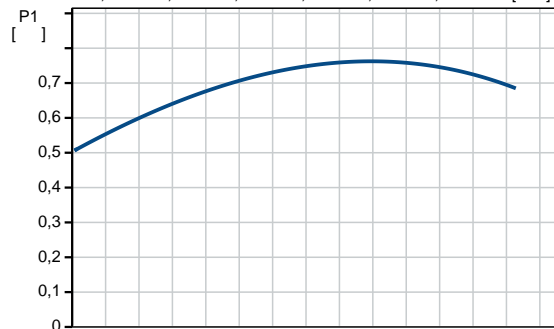
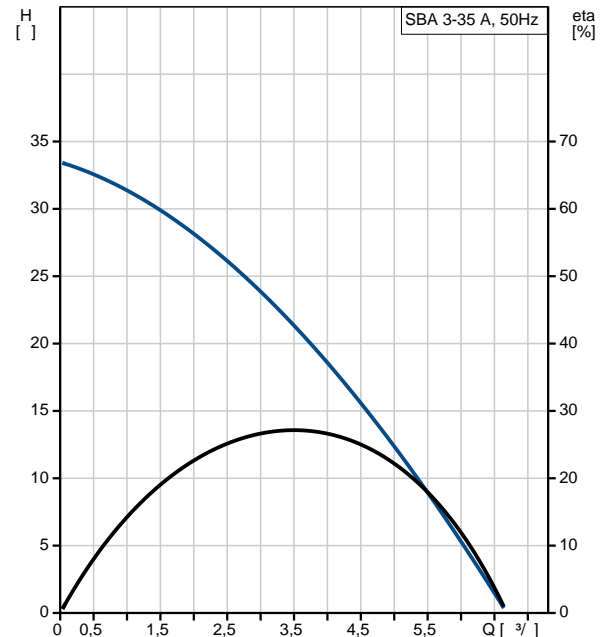
C : IT

: 8413702900

97896286 SBA 3-35 A 50



	SBA 3-35 A
	97896286
EAN	5710626001712
	2.76 ^{3/}
	25.2
	34
	3
	1
	CE, VDE, WEEE
	ISO9906:2012 3B
Return valve:	
Adjustable start pressure:	N
	1.5
	2800 /
	Composite
	-10 .. 50 °C
Type of inlet connection:	STRAINER
	G 1"
	10
	0 .. 40 °C
	20 °C
	998.2 / ³
pH:	4-9
P1:	0.8
Rated power - P2:	0.54
	50 Hz
	1 x 220-240
	3.8 A
	12 A
Cos	0.94
	13 /450
(IEC 34-5):	IP68
(IEC 85):	F
Built-in motor protection:	
Length of cable:	15
	H07RN-F 3G1
	SCHUKO
():	9.42
():	10
	0.022 ³
Danish VVS No.:	391367035
Swedish RSK No.:	5850417
Finnish LVI No.:	4822596
Norwegian NRF no.:	9041873
C	IT
	8413702900



97896286 SBA 3-35 A 50

