

1 SOLOLIFT2 D-2



: 97775318

Sololift2 D-2 -

()

Sololift2 D-2

Sololift2 D-2

- ()

Ø22-36

- « »

- () Ø36 40

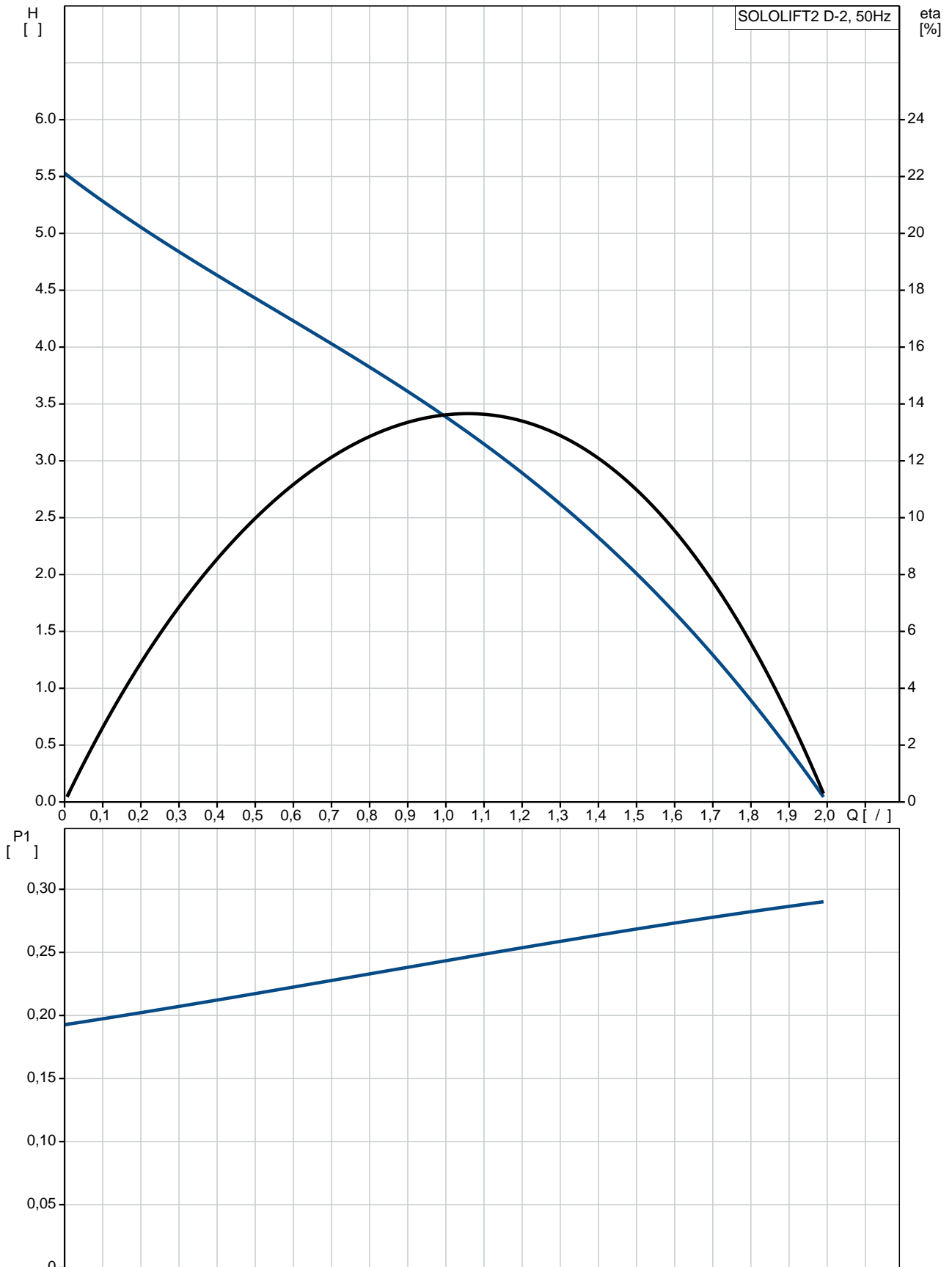
EN12050-2

Maximum liquid temperature: 50 °C
998.2 / 3

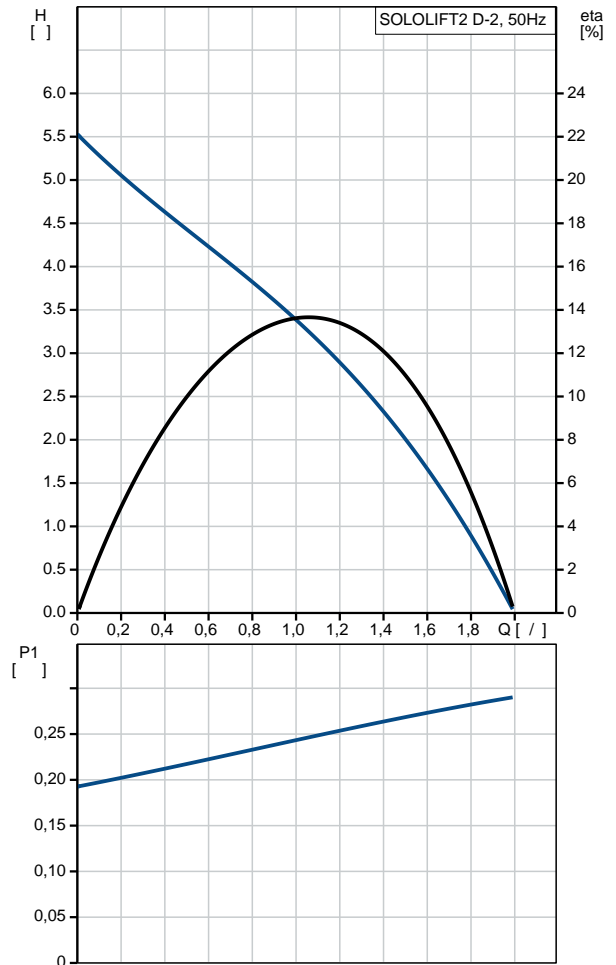
: CE,TR,VDEEMV,VDE,MORO
- : ISO9906:2012 3B

36/40/50
22/32
3X0,75MM2
- P1: 280
50 Hz
1 x 220-240
1.3 A
Cos phi - : 0.95
2800 /
(IEC 34-5): IP44
(IEC 85): F
1.2
H05VV-F-3G
SCHUKO
4.69
6.25
Danish VVS No.: 614366632
Swedish RSK No.: 5886548
Finnish LVI No.: 4965317
Norwegian NRF no.: 9045713
C : RS
8413702100

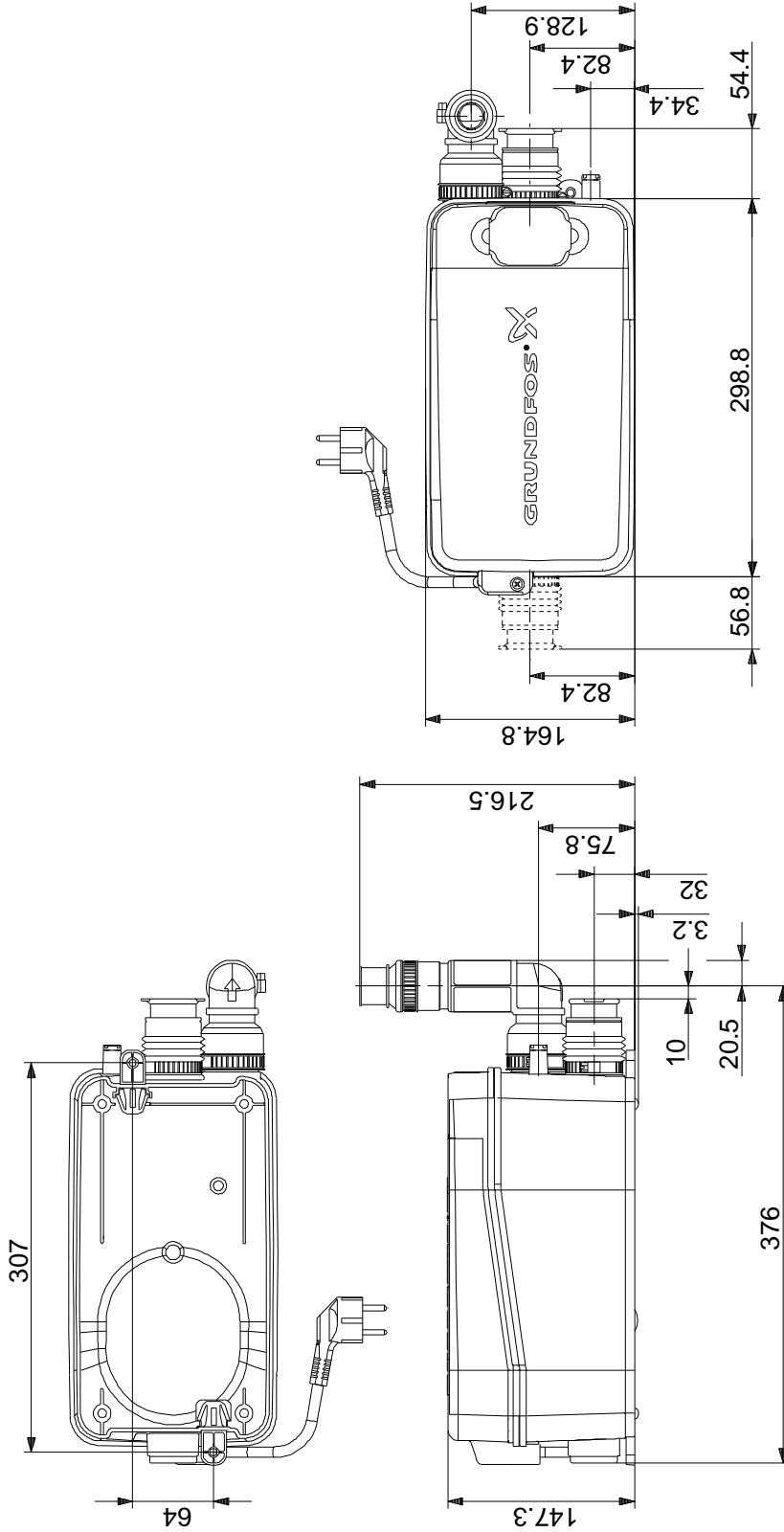
97775318 SOLOLIFT2 D-2 50



	SOLOLIFT2 D-2
	97775318
EAN	5710624187272
	UER 250
	5.5
	: CE,TR,VDEEMV,VDE,MORO
	- : ISO9906:2012 3B
	36/40/50
	22/32
	3X0,75MM2
Maximum liquid temperature:	50 °C
	998.2 / ³
	- P1: 280
	: 50 Hz
	: 1 x 220-240
	: 1.3 A
Cos phi -	: 0.95
	: 2800 /
	(IEC 34-5): IP44
	(IEC 85): F
	: THERMIK S06-160-05
	: 1.2
	: H05VV-F-3G
	: SCHUKO
	4.69
	6.25
Danish VVS No.:	614366632
Swedish RSK No.:	5886548
Finnish LVI No.:	4965317
Norwegian NRF no.:	9045713
C	: RS
	: 8413702100



97775318 SOLOLIFT2 D-2 50



97775318 SOLOLIFT2 D-2 50

