

1 **SOLOLIFT2 C-3**



: 97775317

Sololift2 C-3 –

Sololift2 C-3

Sololift2 C-3

/

-

-

-

-

-

-

-

-

Maximum liquid temperature: 75(90) °C
998.2 / 3

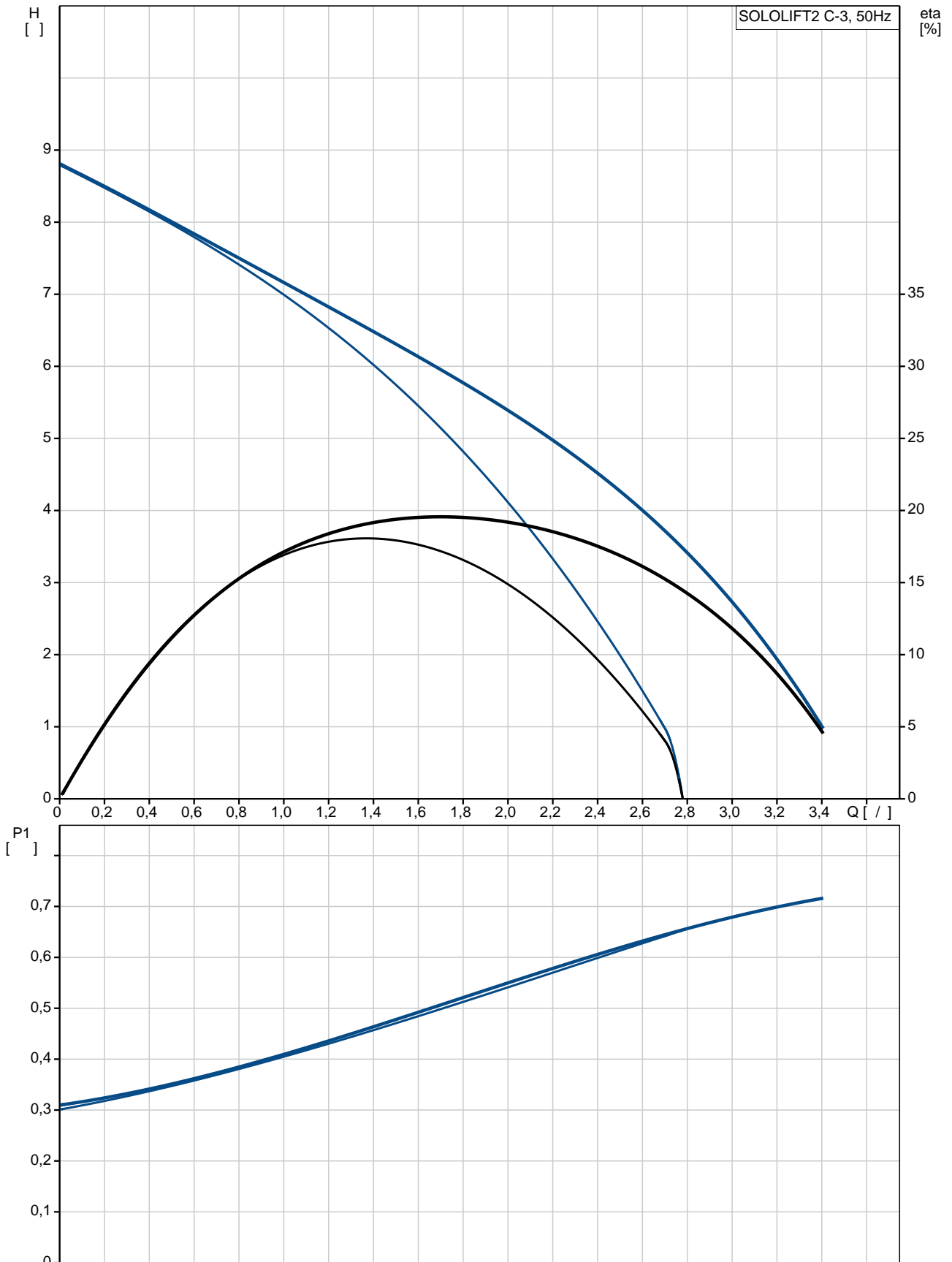
: CE,TR,VDEEMV,VDE,MORO
- : ISO9906:2012 3B

32/36/40, 36/40/50
22/25/28/32/36/40
3X0,75MM2

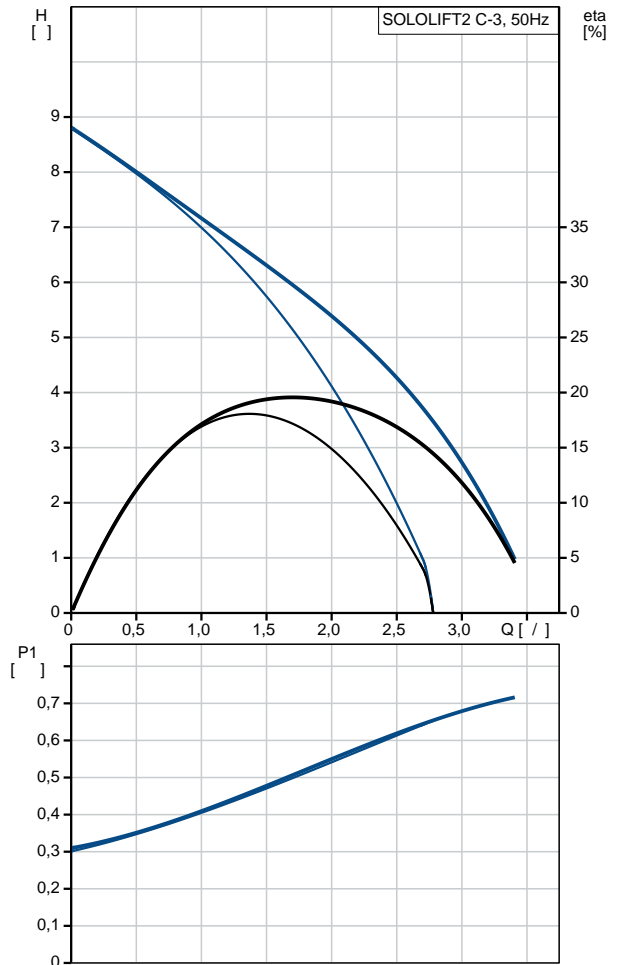
- P1: 640
: 50 Hz
: 1 x 220-240
: 3.1 A
Cos phi - : 0.9
: 2800 /
(IEC 34-5): IP44
(IEC 85): F
: 1.2
: H05VV-F-3G
: SCHUKO

7.75
9.3
Danish VVS No.: 614365632
Swedish RSK No.: 5886547
Finnish LVI No.: 4965315
Norwegian NRF no.: 9045711
C : RS
: 8413702100

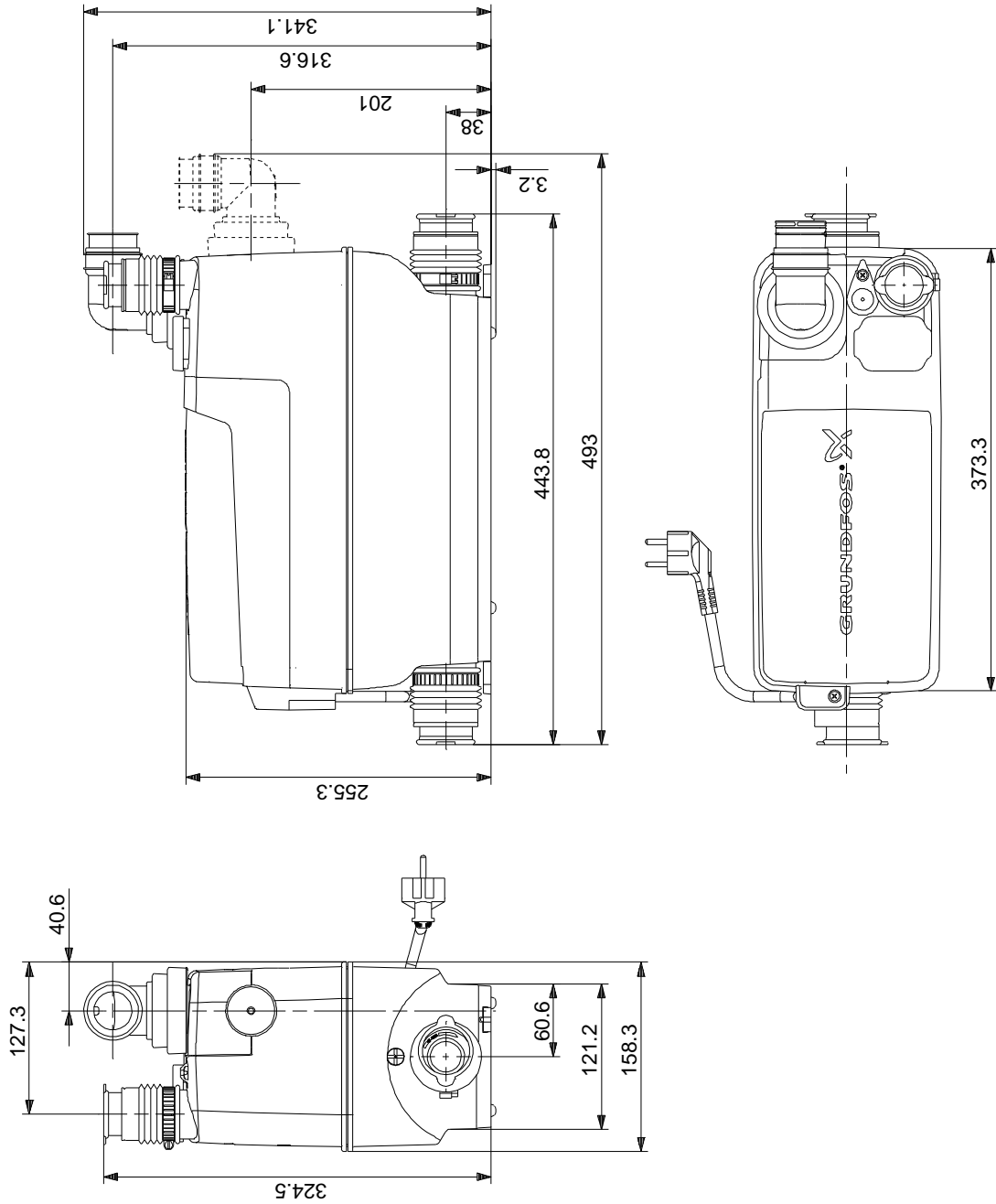
97775317 SOLOLIFT2 C-3 50



	SOLOLIFT2 C-3
	97775317
EAN	5710624187265
	UER 330
	8.5
	: CE,TR,VDEEMV,VDE,MORO
	- : ISO9906:2012 3B
	32/36/40, 36/40/50
	22/25/28/32/36/40
	3X0,75MM2
Maximum liquid temperature:	75(90) °C
	998.2 / ³
	- P1: 640
	: 50 Hz
	: 1 x 220-240
	: 3.1 A
Cos phi -	: 0.9
	: 2800 /
	(IEC 34-5): IP44
	(IEC 85): F
	: THERMIK S06-140-05
	: 1.2
	: H05VV-F-3G
	: SCHUKO
	7.75
	9.3
Danish VVS No.:	614365632
Swedish RSK No.:	5886547
Finnish LVI No.:	4965315
Norwegian NRF no.:	9045711
C	: RS
	: 8413702100



97775317 SOLOLIFT2 C-3 50



97775317 SOLOLIFT2 C-3 50

