

1

: SB 3-45 AW



: 97686707

Grundfos SB 3-45 AW —

: SB 3-45 AW

15

— 0 °C 10 40 °C °C.

: SB 3-45 AW —

1

« »

: 0 .. 40 °C °C
: 20 °C
998.2 / ³

: 2.83 ³/_h
: 30.1

: 1

: CE, WEEE

- : ISO9906:2012 3B

Return valve:

: 2800 /

Composite

Temperature range: -10 .. 50 °C

Type of inlet connection: FLOATING STRAINER
G 1"
: 10

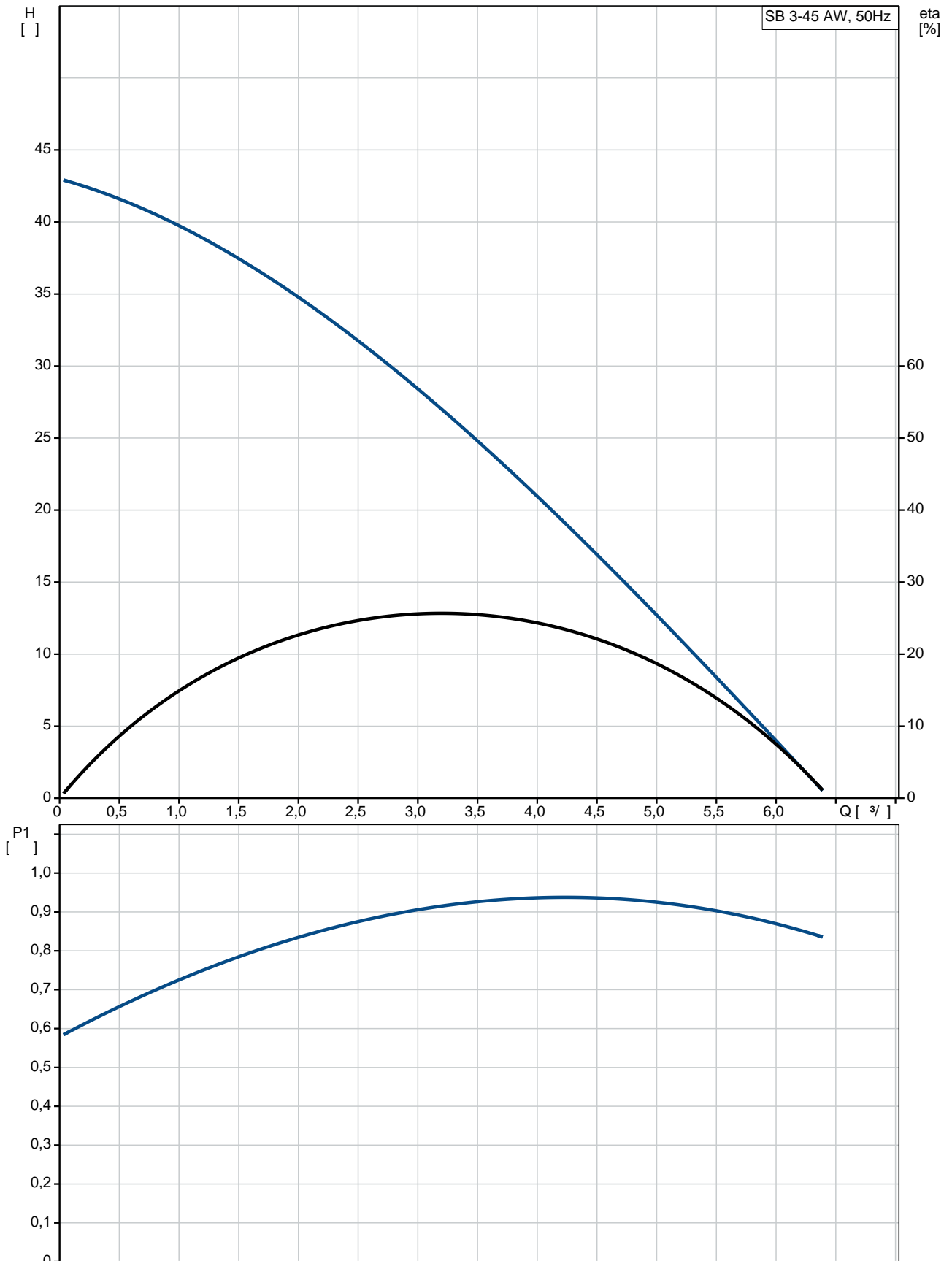
P1: 1.05
Rated power - P2: 0.62
: 50 Hz
: 1 x 220-240
: 4.8 A
: 12 A
Cos : 0.94
: 13 /450
(IEC 34-5): IP68
(IEC 85): F

Built-in motor protection:
Length of cable: 15
: H07RN-F 3G1
: SCHUKO

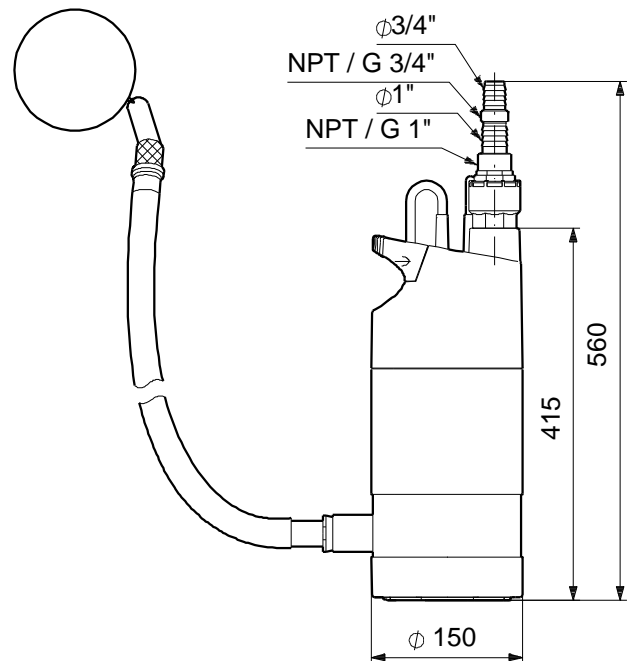
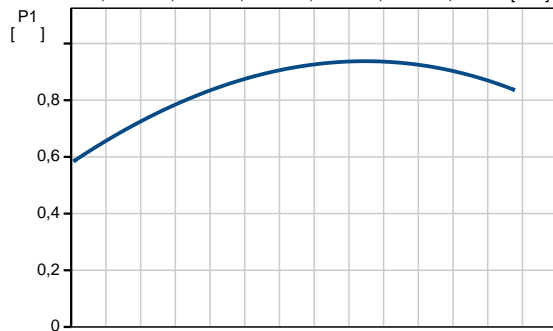
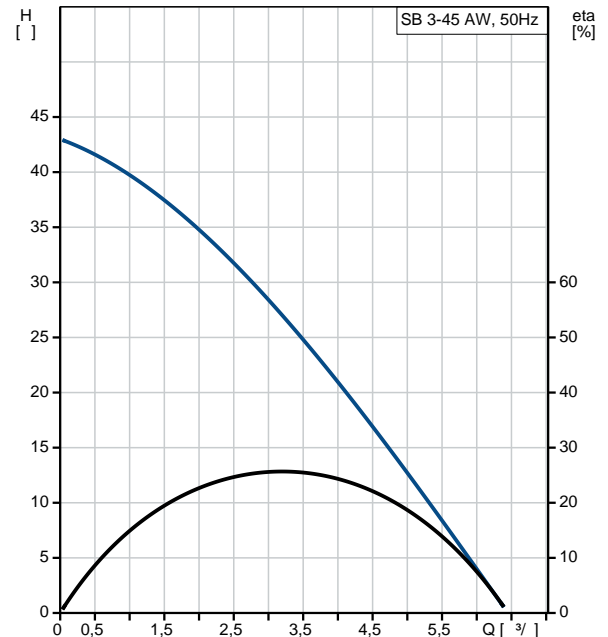
(): 9.83
(): 10.6
: 0.031 ³

Danish VVS No.: 391363045
Swedish RSK No.: 5850352
Finnish LVI No.: 4822535
Norwegian NRF no.: 9041871
C : IT
: 8413702900

97686707 SB 3-45 AW 50



| | |
|----------------------------|----------------------|
| | SB 3-45 AW |
| | 97686707 |
| EAN | 5710621504188 |
| | 2.83 ³ / |
| | 30.1 |
| | 45 |
| | 4 |
| | 1 |
| | CE, WEEE |
| | ISO9906:2012 3B |
| Return valve: | |
| | 2800 / |
| | Composite |
| | |
| | -10 .. 50 °C |
| Type of inlet connection: | FLOATING STRAINER |
| | G 1" |
| | 10 |
| | |
| | 0 .. 40 °C °C |
| | 20 °C |
| | 998.2 / ³ |
| pH: | 4-9 |
| | |
| P1: | 1.05 |
| Rated power - P2: | 0.62 |
| | 50 Hz |
| | 1 x 220-240 |
| | 4.8 A |
| | 12 A |
| Cos | 0.94 |
| | 13 /450 |
| (IEC 34-5): | IP68 |
| (IEC 85): | F |
| Built-in motor protection: | |
| Length of cable: | 15 |
| | H07RN-F 3G1 |
| | SCHUKO |
| | |
| | |
| (): | 9.83 |
| (): | 10.6 |
| | 0.031 ³ |
| Danish VVS No.: | 391363045 |
| Swedish RSK No.: | 5850352 |
| Finnish LVI No.: | 4822535 |
| Norwegian NRF no.: | 9041871 |
| C | IT |
| | 8413702900 |



97686707 SB 3-45 AW 50

