

1

: SB 3-35 AW



: 97686703

Grundfos SB 3-35 AW —

: SB 3-35 AW

15

— 0 °C 10 40 °C °C.

: SB 3-35 AW —

1

« »

: 0 .. 40 °C °C
: 20 °C
998.2 / ³

: 2.76 ³/_s
: 25.2

: 1

: CE, WEEE

- : ISO9906:2012 3B

Return valve:

: 2800 /

Composite

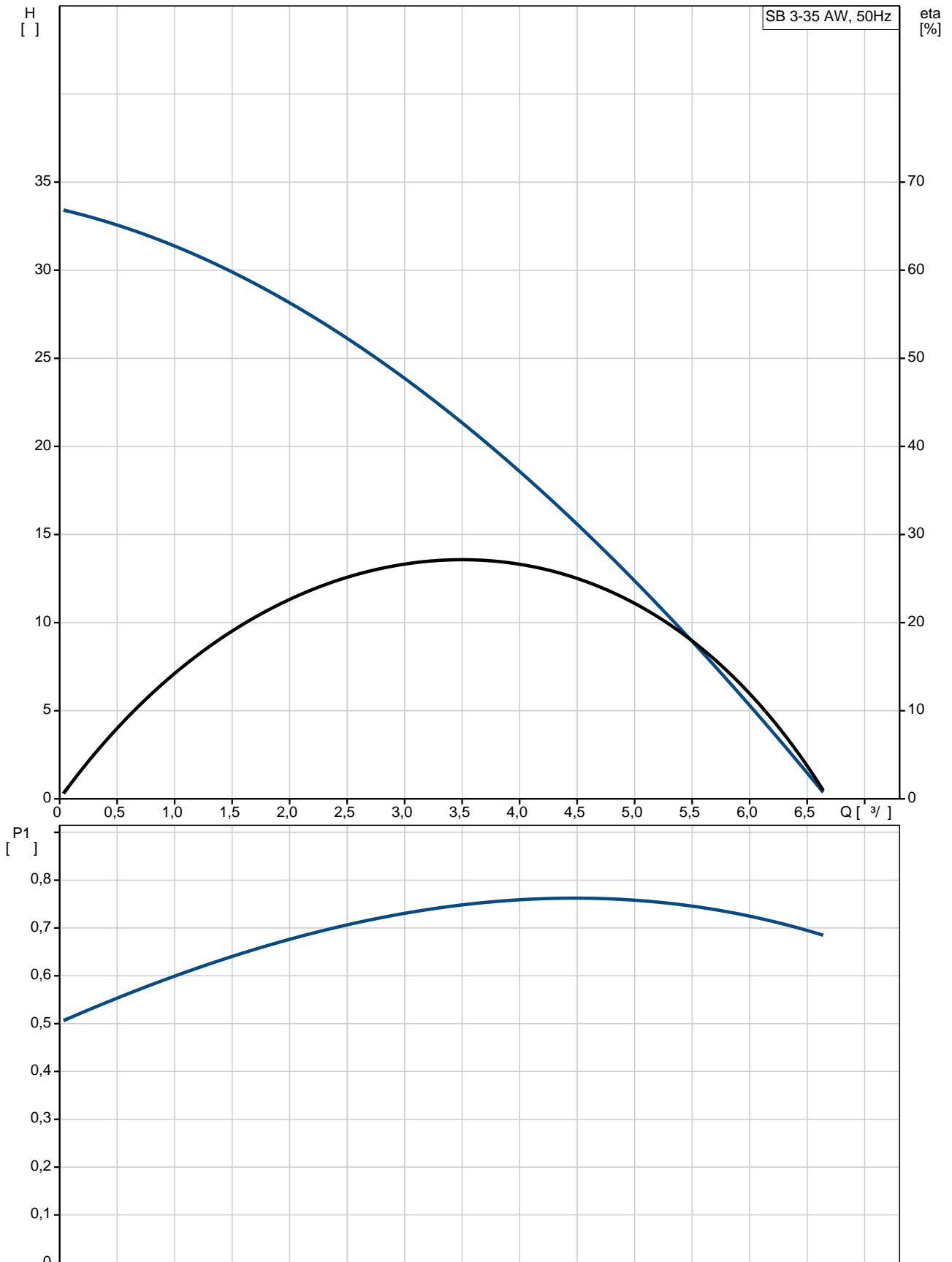
Type of inlet connection: FLOATING STRAINER
 G 1"
 : 10

P1: 0.8
 Rated power - P2: 0.54
 : 50 Hz
 : 1 x 220-240
 : 3.8 A
 : 12 A
 Cos : 0.94
 : 13 /450
 (IEC 34-5): IP68
 (IEC 85): F

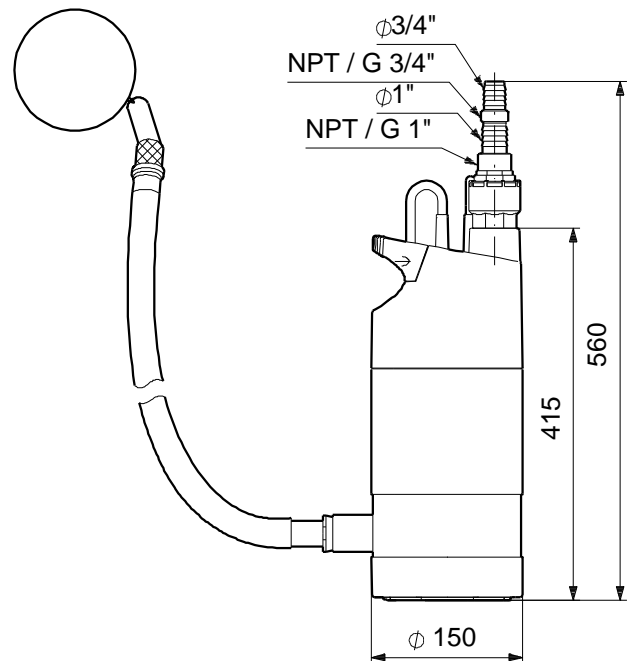
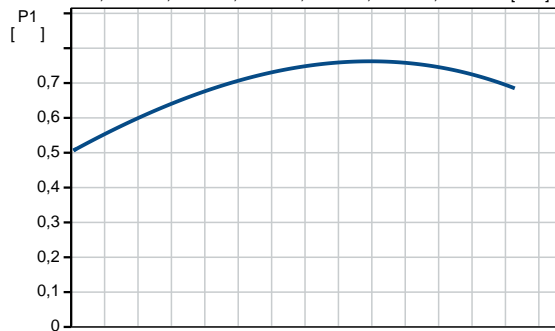
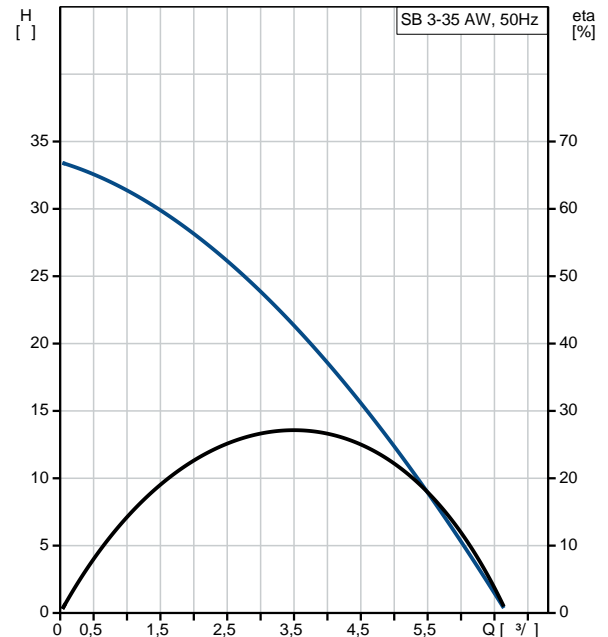
Built-in motor protection:
 Length of cable: 15
 : H07RN-F 3G1
 : SCHUKO

(): 9.56
 (): 10.3
 : 0.031 ³
 Danish VVS No.: 391363035
 Swedish RSK No.: 5850348
 Finnish LVI No.: 4822534
 Norwegian NRF no.: 9041866
 C : IT
 : 8413702900

97686703 SB 3-35 AW 50



	SB 3-35 AW
	97686703
EAN	5710621504140
	2.76 ³ /
	25.2
	34
	3
	1
	CE, WEEE
	ISO9906:2012 3B
Return valve:	
	2800 /
	Composite
	-10 .. 50 °C
Type of inlet connection:	FLOATING STRAINER
	G 1"
	10
	0 .. 40 °C °C
	20 °C
	998.2 / ³
pH:	4-9
P1:	0.8
Rated power - P2:	0.54
	50 Hz
	1 x 220-240
	3.8 A
	12 A
Cos	0.94
	13 /450
(IEC 34-5):	IP68
(IEC 85):	F
Built-in motor protection:	
Length of cable:	15
	H07RN-F 3G1
	SCHUKO
():	9.56
():	10.3
	0.031 ³
Danish VVS No.:	391363035
Swedish RSK No.:	5850348
Finnish LVI No.:	4822534
Norwegian NRF no.:	9041866
C	IT
	8413702900



97686703 SB 3-35 AW 50

