

1

: SB 3-35 A



: [97686701](#)

Grundfos SB 3-35 A —

: SB 3-35 A

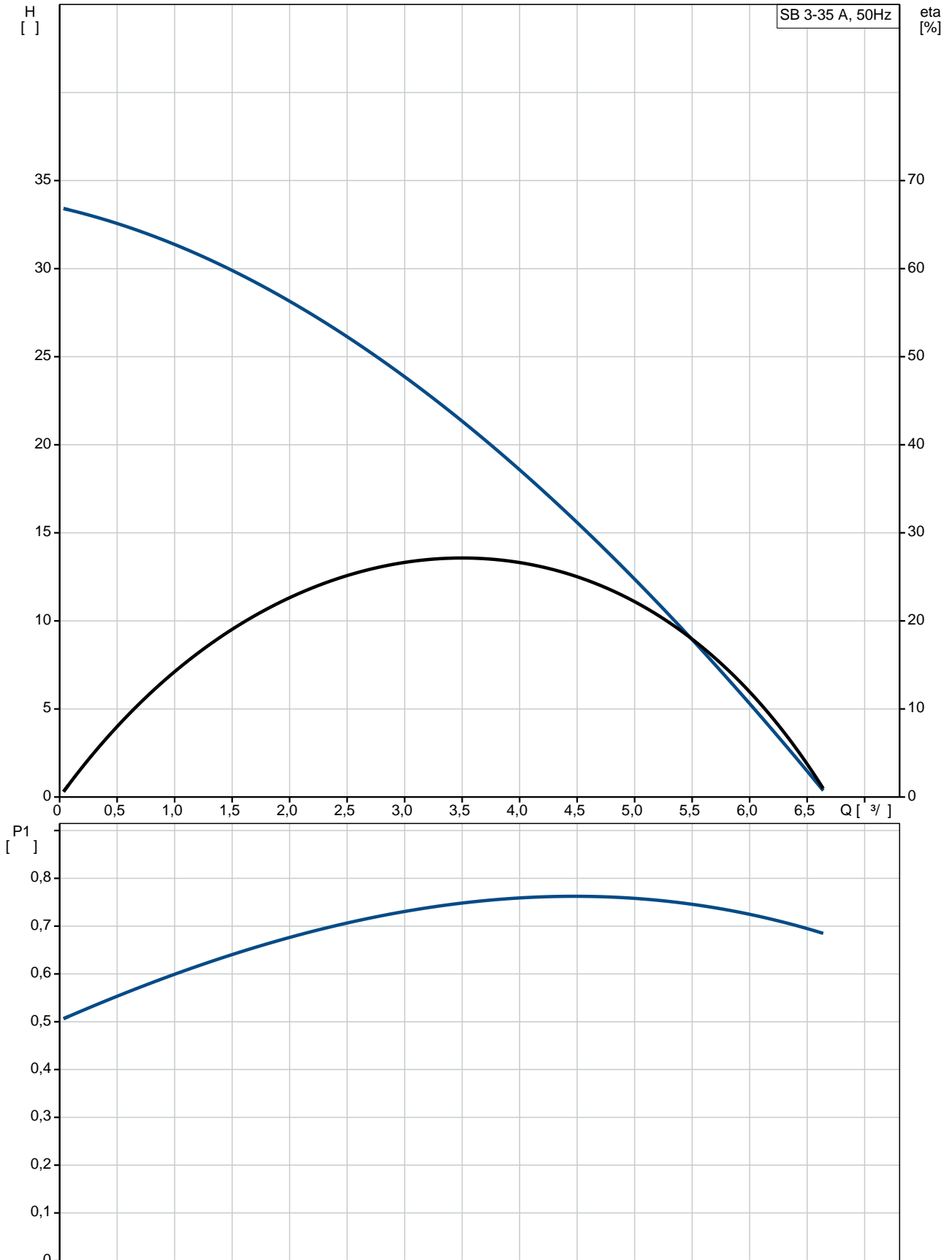
— 0 °C 10 40 °C °C.

: SB 3-35 A —

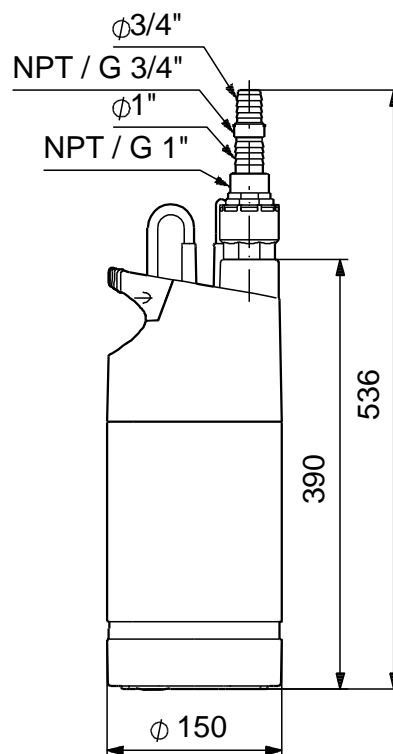
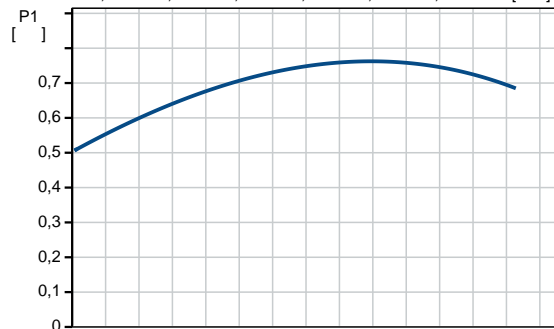
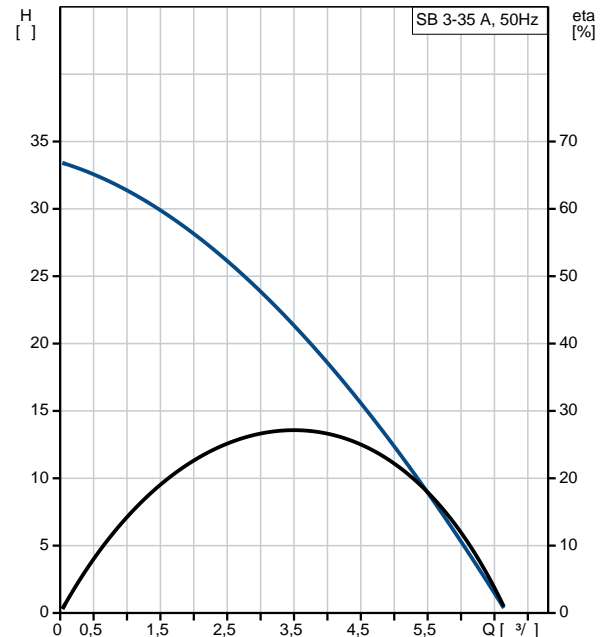
— 1

: 0 .. 40 °C °C
 : 20 °C
 : 998.2 / ³
 : 2.76 ³/
 : 25.2
 : 1
 : CE,WEEE
 - : ISO9906:2012 3B
 Return valve: : 2800 /
 : Composite
 : -10 .. 50 °C
 Type of inlet connection: STRAINER
 : G 1"
 : 10
 P1: 0.8
 Rated power - P2: 0.54
 : 50 Hz
 : 1 x 220-240
 : 3.8 A
 : 12 A
 Cos : 0.94
 : 13 /450
 (IEC 34-5): IP68
 (IEC 85): F
 Built-in motor protection:
 Length of cable: 15
 : H07RN-F 3G1
 : SCHUKO
 (): 9.42
 (): 10
 : 0.022 ³
 Danish VVS No.: 391361035
 Swedish RSK No.: 5850346
 Finnish LVI No.: 4822539
 Norwegian NRF no.: 9041864
 C : IT
 : 8413702900

97686701 SB 3-35 A 50



| | |
|----------------------------|--------------------------|
| | SB 3-35 A |
| | 97686701 |
| EAN | 5710621504126 |
| | 2.76 ³ / |
| | 25.2 |
| | 34 |
| | 3 |
| | 1 |
| | CE, WEEE |
| | ISO9906:2012 3B |
| Return valve: | |
| | 2800 / |
| | Composite |
| | -10 .. 50 °C |
| Type of inlet connection: | STRAINER |
| | G 1" |
| | 10 |
| | 0 .. 40 °C °C |
| | 20 °C |
| | 998.2 / ³ |
| pH: | 4-9 |
| P1: | 0.8 |
| Rated power - P2: | 0.54 |
| | 50 Hz |
| | 1 x 220-240 |
| | 3.8 A |
| | 12 A |
| Cos | 0.94 |
| | 13 /450 |
| (IEC 34-5): | IP68 |
| (IEC 85): | F |
| Built-in motor protection: | |
| Length of cable: | 15 |
| | H07RN-F 3G1 |
| | SCHUKO |
| | |
| (): | 9.42 |
| (): | 10 |
| | 0.022 ³ |
| Danish VVS No.: | 391361035 |
| Swedish RSK No.: | 5850346 |
| Finnish LVI No.: | 4822539 |
| Norwegian NRF no.: | 9041864 |
| C | IT |
| | 8413702900 |



97686701 SB 3-35 A 50

