

1 CRI 3-12 A-CA-A-E-HQQE



: 96563133

(" - "),

FlexiClamps.

1-

: -20 .. 120 °C  
: 20 °C  
998.2 / ³

: 2789 /

3 ³/  
55

: HQQE  
: CE, EAC, ACS  
- : ISO9906:2012 3B

EN 1.4408  
AISI 316

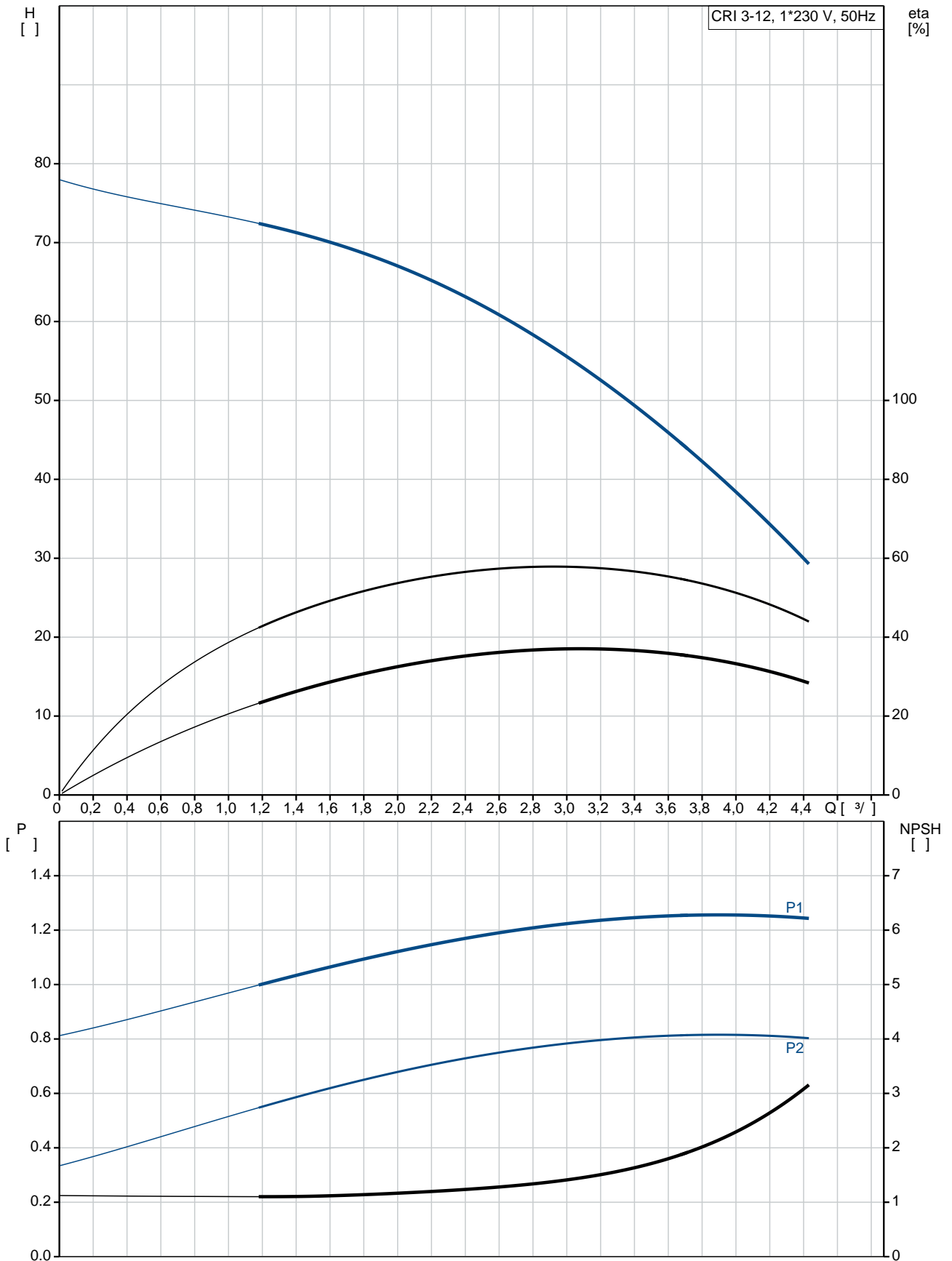
, EN/DIN: EN 1.4301  
, AISI/ASTM: AISI 304  
SIC

Maximum ambient temperature: 40 °C  
: 25  
- : 25 / 120 °C  
25 / -20 °C  
: FlexiClamp  
: DN 32  
: DN 32  
: PN 25  
: FT115

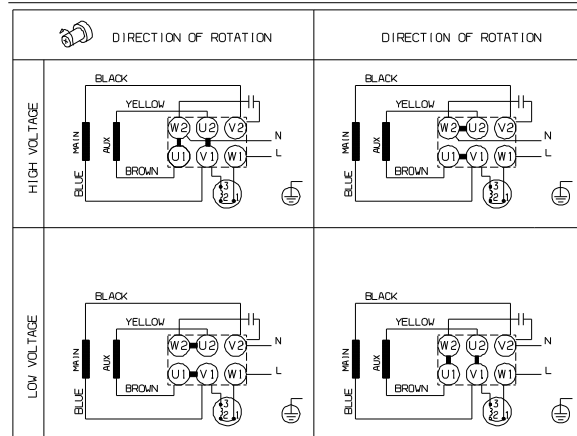
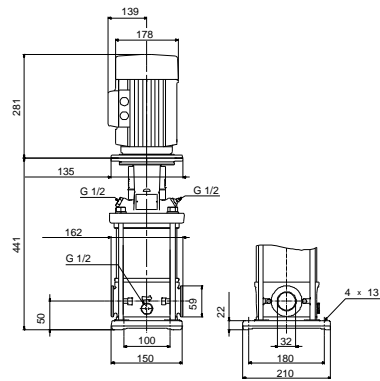
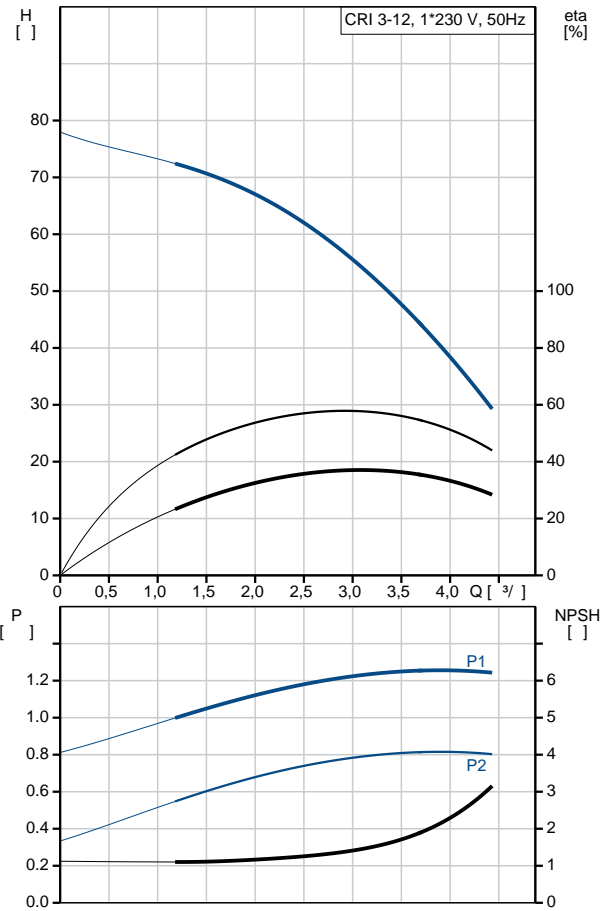
: IEC  
: 90SB

( 2), - P2: 1.1 : 1.1  
 : 50 Hz  
 : 1 x 220-230/240  
 : 7.40/6.70 A  
 : 390 %  
 Cos - : 0.98/0.99  
 : 2770 / : 73-71 %  
 : 2  
 (IEC 34-5): 55 Dust/Jetting  
 (IEC 85): F  
 : 85215705  
 :  
 Frequency converter: .  
 :  
 ( ): 32.9 , MEI : 0.70  
 ( ): 36.9  
 : 0.092 <sup>3</sup>

## 96563133 CRI 3-12 A-CA-A-E-HQQE 50

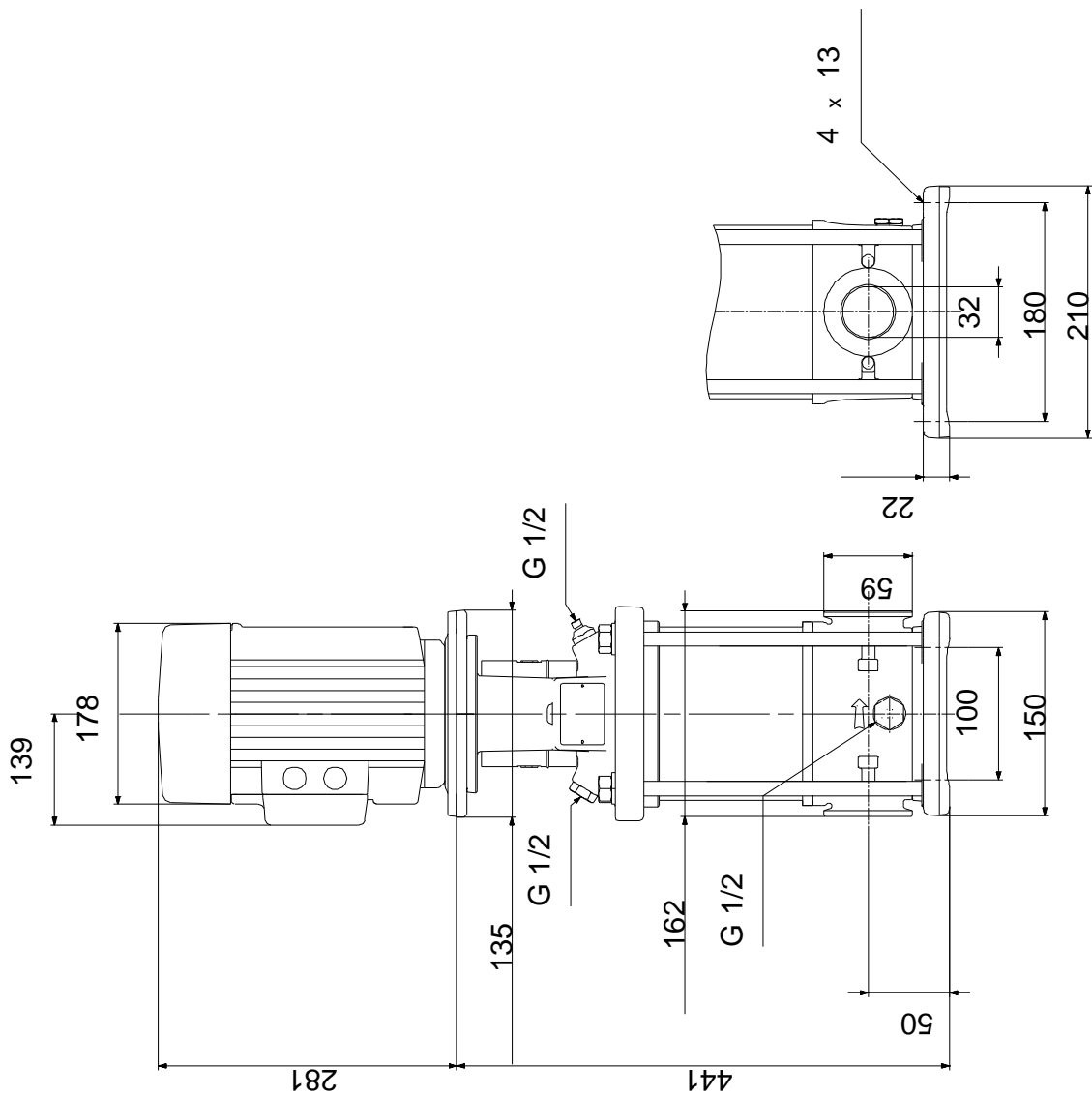


|                              |                               |
|------------------------------|-------------------------------|
|                              | CRI 3-12                      |
|                              | A-CA-A-E-HQQE                 |
|                              | 96563133                      |
| EAN                          | 5700830153154                 |
|                              | 2789 /                        |
|                              | 3 <sup>3</sup> / <sub>4</sub> |
|                              | 55                            |
|                              | 77.9                          |
|                              | 12                            |
|                              | 12                            |
|                              | 0                             |
| Low NPSH:                    | N                             |
|                              | HQQE                          |
|                              | CE, EAC, ACS                  |
|                              | ISO9906:2012 3B               |
|                              | A                             |
|                              | A                             |
|                              | EN 1.4408                     |
|                              | AISI 316                      |
|                              | EN 1.4301                     |
| EN/DIN:                      | EN 1.4301                     |
| AISI/ASTM:                   | AISI 304                      |
|                              | A                             |
|                              | E                             |
|                              | SIC                           |
| Maximum ambient temperature: | 40 °C                         |
|                              | 25                            |
|                              | 25 / 120 °C                   |
|                              | 25 / -20 °C                   |
|                              | FlexiClamp                    |
|                              | DN 32                         |
|                              | DN 32                         |
|                              | PN 25                         |
|                              | FT115                         |
|                              | CA                            |
|                              | -20 .. 120 °C                 |
|                              | 20 °C                         |
|                              | 998.2 / <sup>3</sup>          |
|                              | IEC                           |
|                              | 90SB                          |
|                              | - P2: 1.1                     |
| ( 2),                        | 1.1                           |
|                              | 50 Hz                         |



|     |   |                             |
|-----|---|-----------------------------|
|     | : | 1 x 220-230/240             |
|     | : | 7.40/6.70 A                 |
|     | : | 390 %                       |
| Cos | - | : 0.98/0.99                 |
|     | : | 2770 /                      |
|     | : | 73-71 %                     |
|     | : | 2                           |
|     | : | (IEC 34-5): 55 Dust/Jetting |
|     | : | (IEC 85): F                 |
|     | : | PTO                         |
|     | : | 85215705                    |
|     | : | .                           |
|     | : | .                           |
| MEI | : | ' 0.70                      |
| ( ) | : | 32.9                        |
| ( ) | : | 36.9                        |
|     | : | 0.092 <sup>3</sup>          |

## 96563133 CRI 3-12 A-CA-A-E-HQQE 50



## 96563133 CRI 3-12 A-CA-A-E-HQQE 50

|                              |  |
|------------------------------|--|
| <p>DIRECTION OF ROTATION</p> |  |
| <p>DIRECTION OF ROTATION</p> |  |
| <p>DIRECTION OF ROTATION</p> |  |
| <p>DIRECTION OF ROTATION</p> |  |