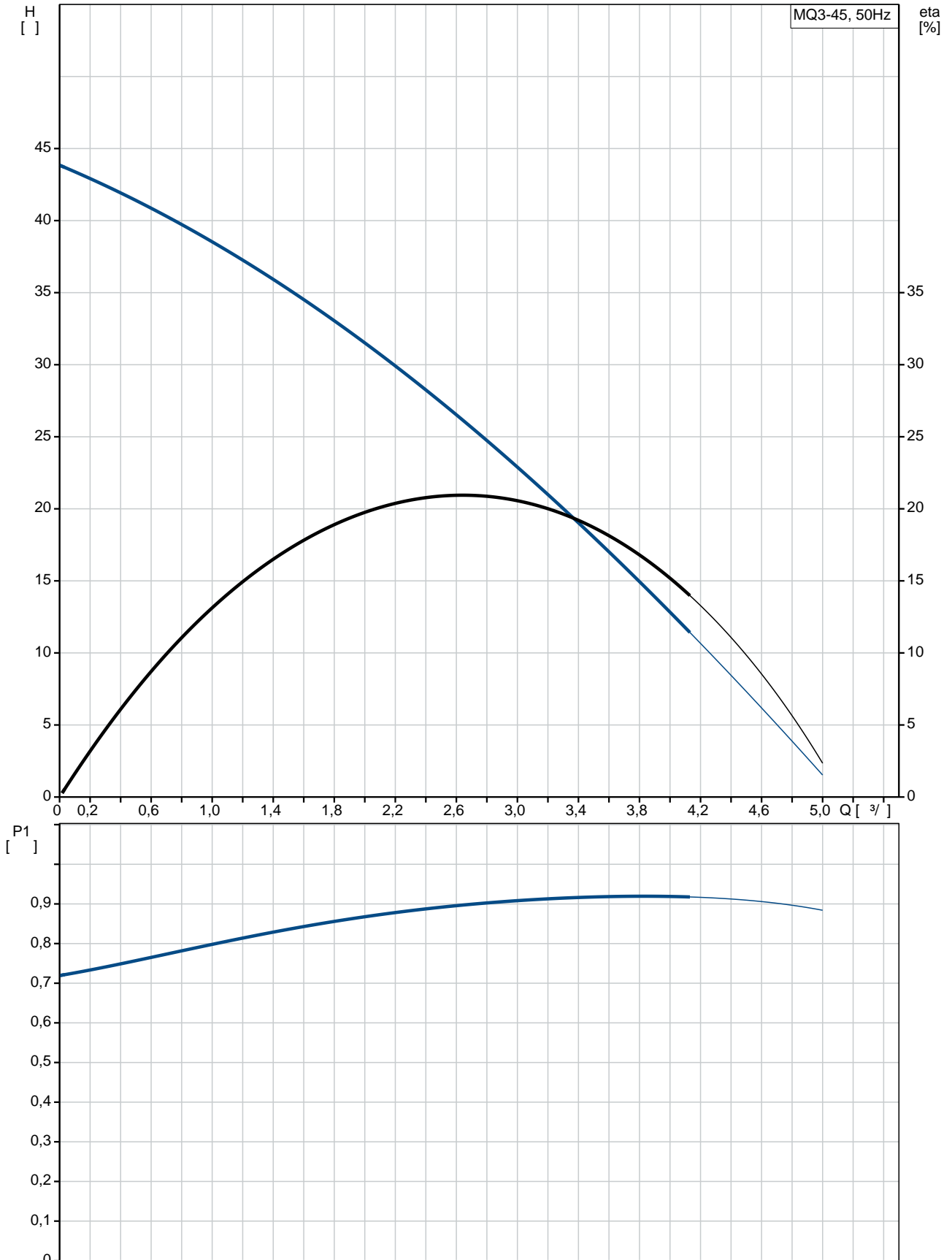
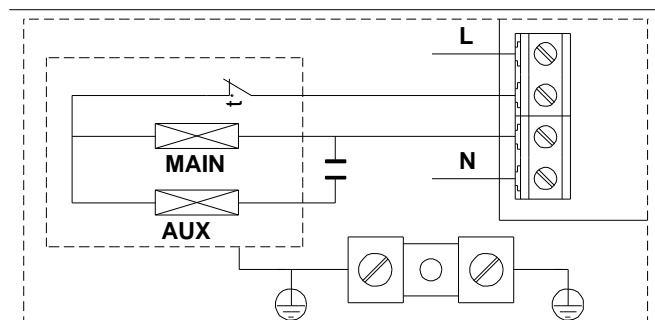
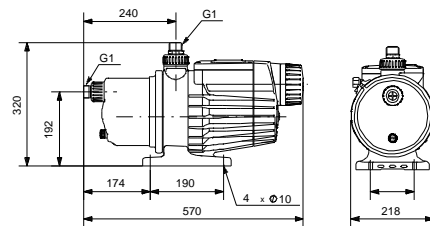
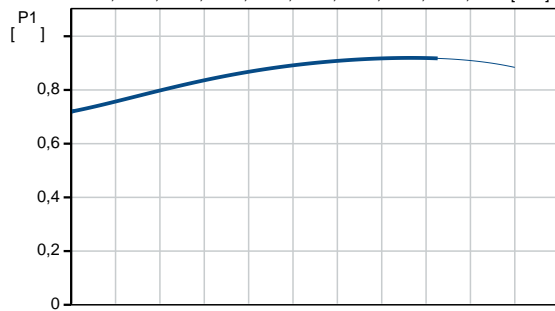
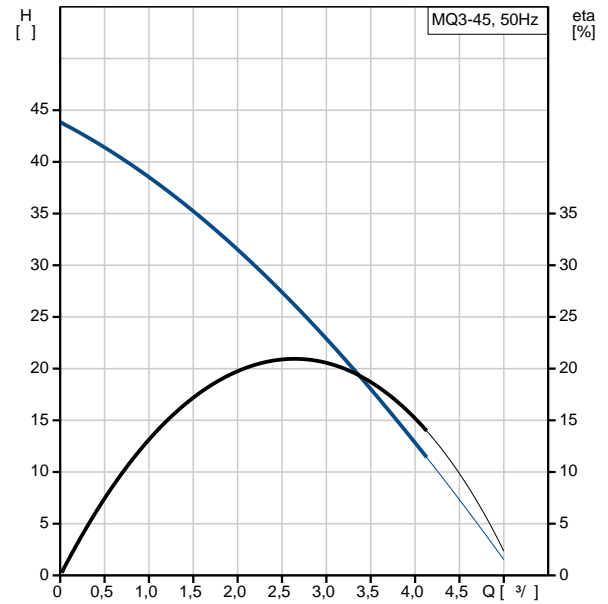


: 0 .. 35 °C
 : 20 °C
 : 998.2 / 3
 : 3 3/
 : 23
 : BVBP
 : CE,WEEE
 - : ISO9906:2012 3B
 Adjustable start pressure: N
 : 2.8
 : POM + (25%)
 : PPO + (20%)
 : 0 .. 45 °C
 : 7.5
 : G1
 :
 - P1: 1000
 : 50 Hz
 : 1 x 220-240
 : 4.5 A
 (IEC 34-5): IP54
 (IEC 85): B
 : 2
 : SCHUKO
 :
 : 13.3
 : 15.5
 : 0.055 3
 Danish VVS No.: 385261045
 Swedish RSK No.: 5952135
 Finnish LVI No.: 4732514
 Norwegian NRF no.: 9040027
 C : IT
 : 8413707500

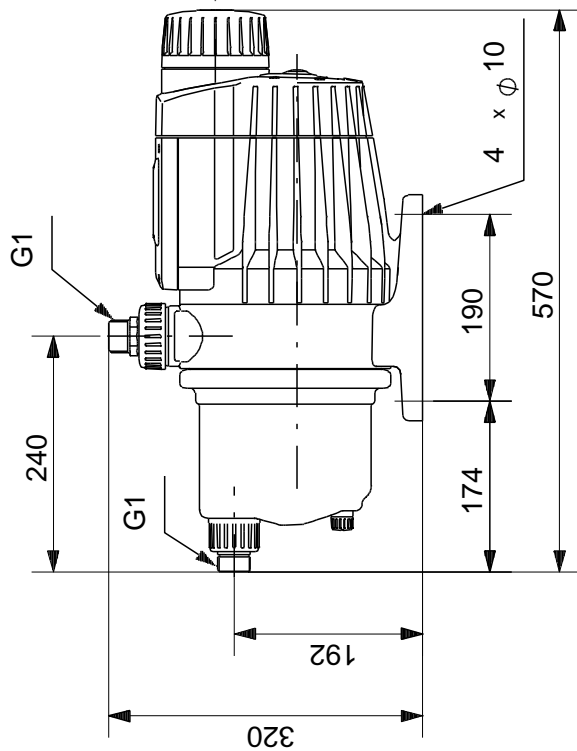
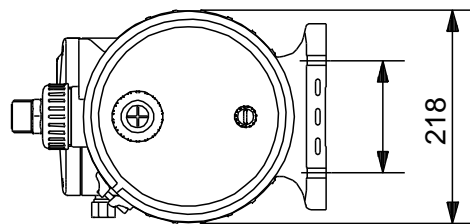
96515415 MQ3-45 A-O-A-BVBP 50



	MQ3-45 A-O-A-BVBP	
	96515415	
EAN	5700396723532	
	3 ^{3/4}	
	23	
Maximum head:	45	
	45	
	BVBP	
	CE,WEEE	
	ISO9906:2012 3B	
	A	
	B	
Adjustable start pressure:	N	
	2.8	
	POM + (25%)	
	PPO + (20%)	
	A	
	0 .. 45 °C	
	7.5	
	G1	
	O	
	0 .. 35 °C	
	20 °C	
	998.2 / ³	
	- P1: 1000	
	50 Hz	
	1 x 220-240	
	4.5 A	
	(IEC 34-5): IP54	
	(IEC 85): B	
	2	
	SCHUKO	
	/	
	13.3	
	15.5	
	0.055 ³	
Danish VVS No.:	385261045	
Swedish RSK No.:	5952135	
Finnish LVI No.:	4732514	
Norwegian NRF no.:	9040027	
C	IT	
	8413707500	



96515415 MQ3-45 A-O-A-BVBP 50



96515415 MQ3-45 A-O-A-BVBP 50

