

1 MQ3-35 A-O-A-BVBP



: [96515412](#)

MQ -

ON/OFF

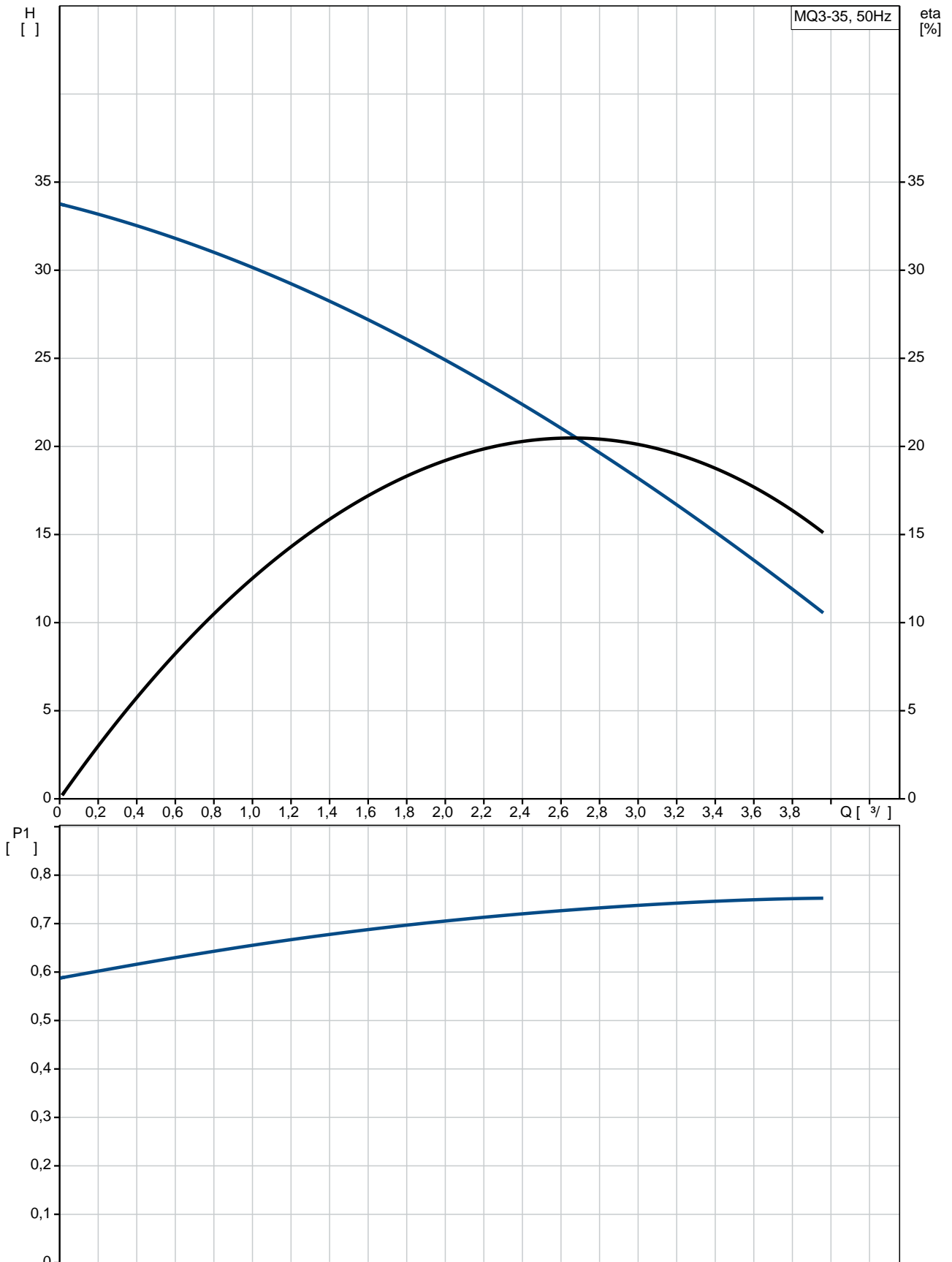
8

24

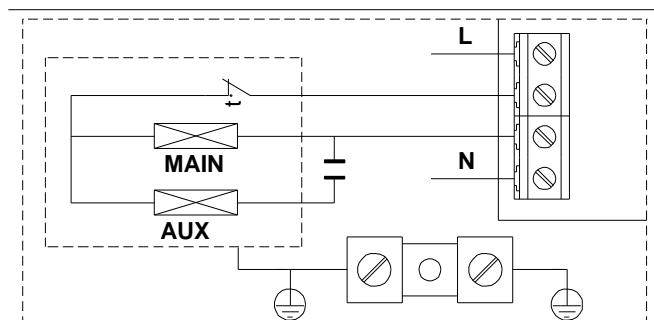
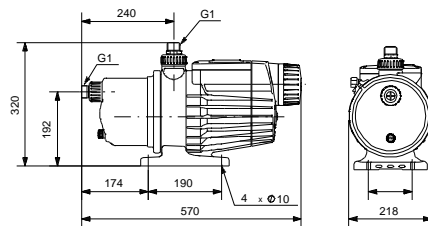
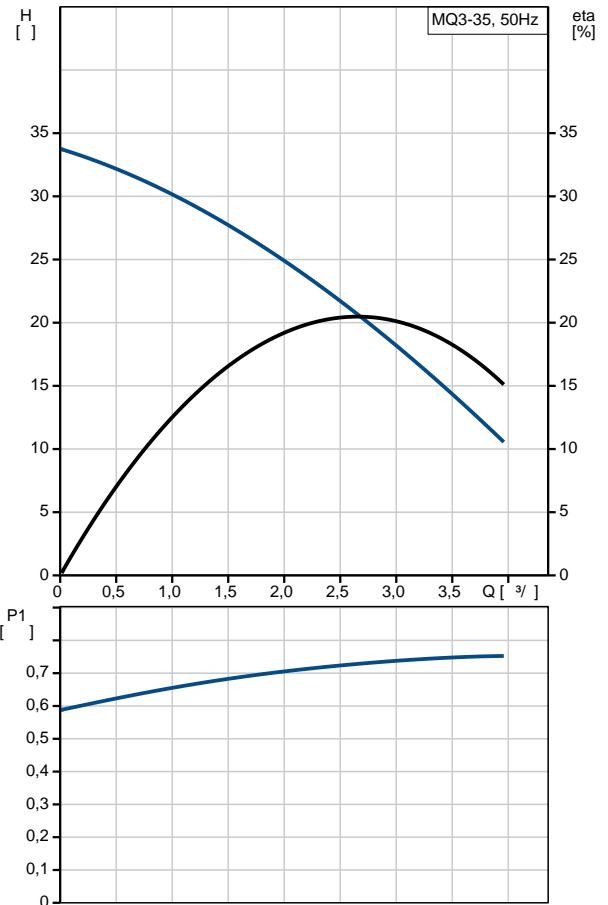
30

: 0 .. 35 °C  
 : 20 °C  
 : 998.2 / 3  
 : 3 3/  
 : 18  
 : BVBP  
 : CE,WEEE  
 - : ISO9906:2012 3B  
 Adjustable start pressure: N  
 : 1.8  
 : POM + (25%)  
 : PPO + (20%)  
 : 0 .. 45 °C  
 : 7.5  
 : G1  
 : - P1: 850  
 : 50 Hz  
 : 1 x 220-240  
 : 4 A  
 (IEC 34-5): IP54  
 (IEC 85): B  
 : 2  
 : SCHUKO  
 : 13.1  
 : 15.3  
 : 0.055 3  
 Danish VVS No.: 385261035  
 Swedish RSK No.: 5952134  
 Finnish LVI No.: 4732512  
 Norwegian NRF no.: 9040026  
 C : IT  
 : 8413707500

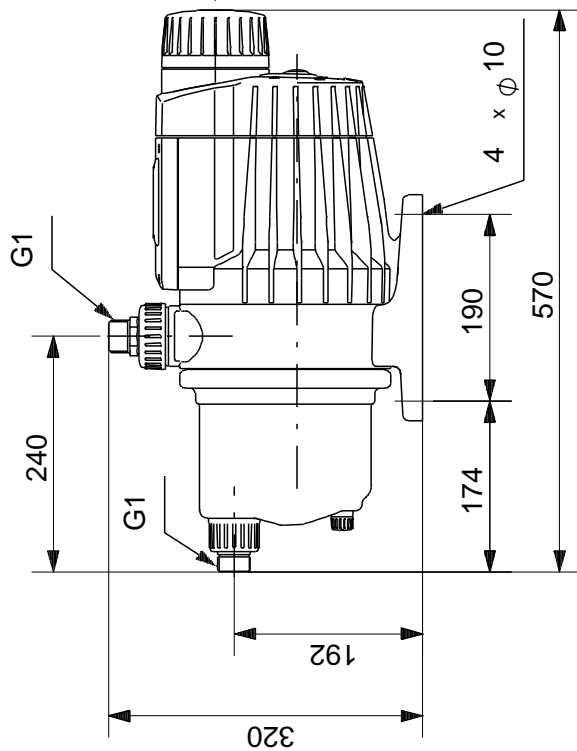
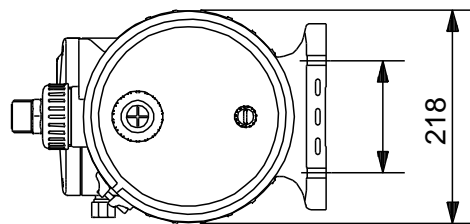
## 96515412 MQ3-35 A-O-A-BVBP 50



	MQ3-35 A-O-A-BVBP	
	96515412	
EAN	5700396722504	
	3 <sup>3/4</sup>	
	18	
Maximum head:	35	
	35	
	BVBP	
	CE,WEEE	
	ISO9906:2012 3B	
	A	
	B	
Adjustable start pressure:	N	
	1.8	
	POM + (25%)	
	PPO + (20%)	
	A	
	0 .. 45 °C	
	7.5	
	G1	
	O	
	0 .. 35 °C	
	20 °C	
	998.2 / <sup>3</sup>	
	- P1: 850	
	50 Hz	
	1 x 220-240	
	4 A	
	(IEC 34-5): IP54	
	(IEC 85): B	
	2	
	SCHUKO	
	/	
	13.1	
	15.3	
	0.055 <sup>3</sup>	
Danish VVS No.:	385261035	
Swedish RSK No.:	5952134	
Finnish LVI No.:	4732512	
Norwegian NRF no.:	9040026	
C	IT	
	8413707500	



## 96515412 MQ3-35 A-O-A-BVBP 50



## 96515412 MQ3-35 A-O-A-BVBP 50

