

1 UPS 65-185 F



: 96430298

« » , . .

\* 3  
\*  
\*  
\*  
\*  
\*  
-3-

Relay:

: -10 .. 120 °C  
: 60 °C  
983.2 / 3

: AAA,EAC

EN-JL1040  
ASTM 35 B - 40 B

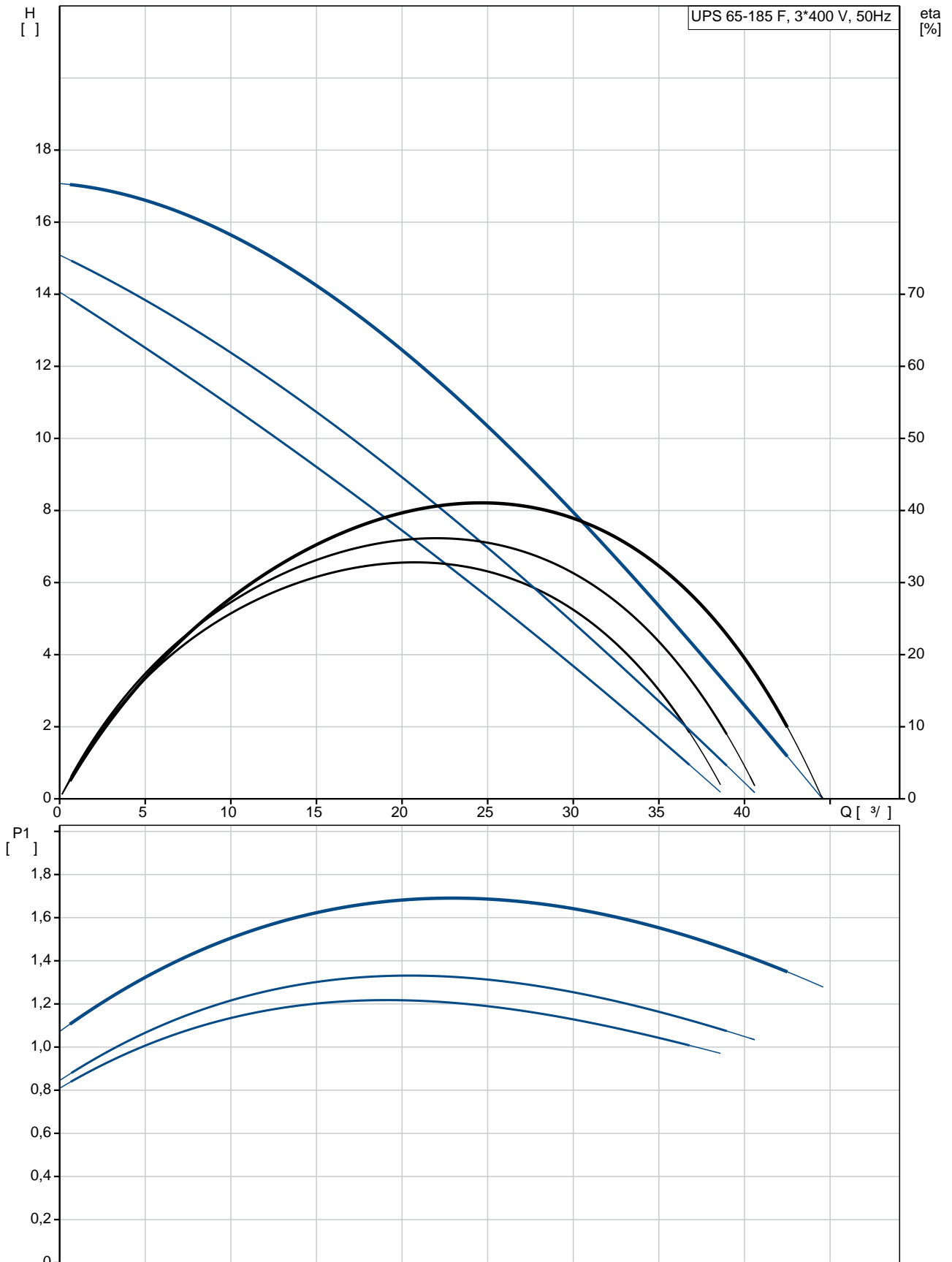
DIN W.-Nr. 1.4301  
AISI 304

: 0 .. 40 °C

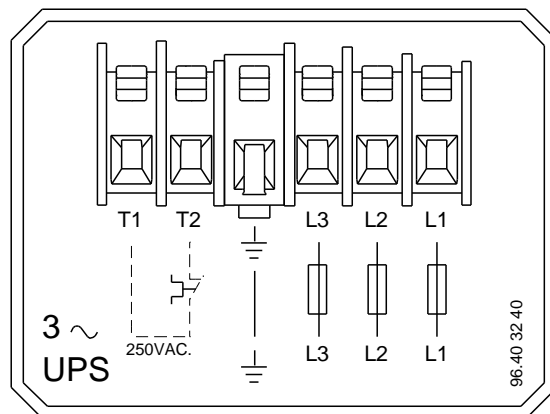
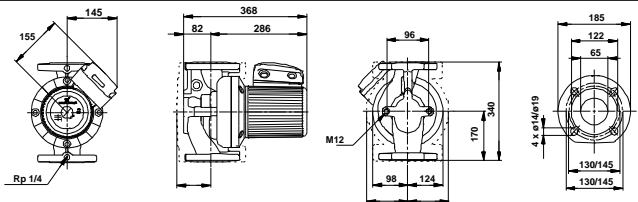
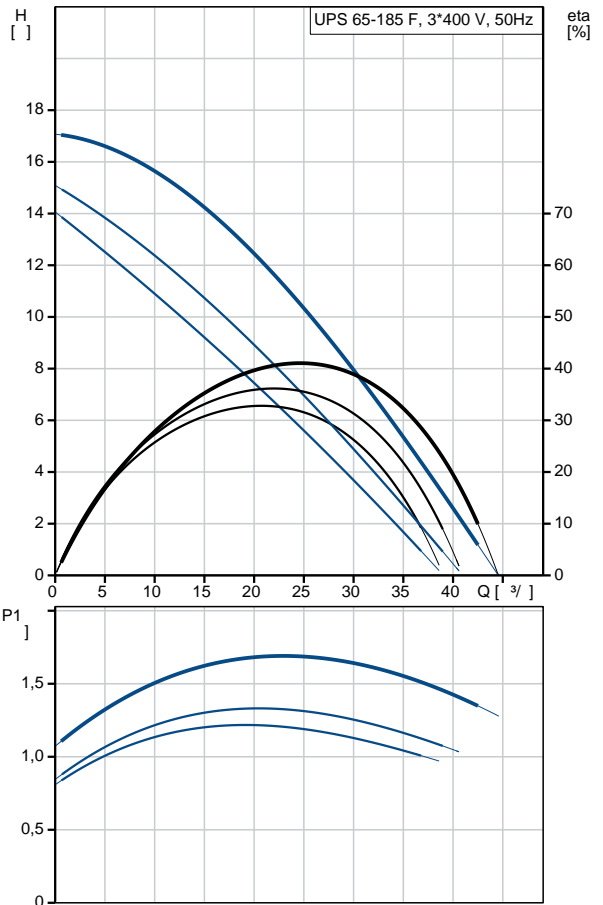
: 10  
: DIN  
: DN 65

PN 6 / PN 10  
340  
1: 1220  
2: 1340  
: 1710  
: 50 Hz  
: 3 x 400-415  
1: 2 A  
2: 2.2 A  
3: 3.25 A  
Cos 1: 0.88  
Cos 2: 0.88  
Cos : 0.76  
(IEC 85): H  
(IEC 60529): X4D  
: 32.5  
: 33.7  
: 0.055<sup>3</sup>  
Danish VVS No.: 380738043  
C : RS  
: 8413703000

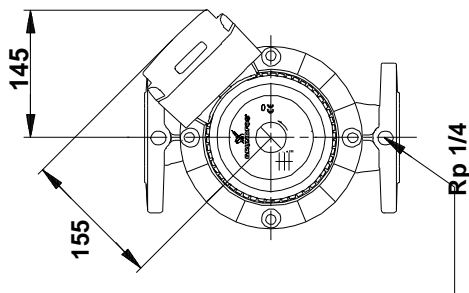
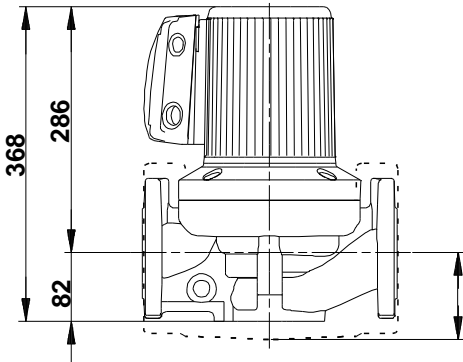
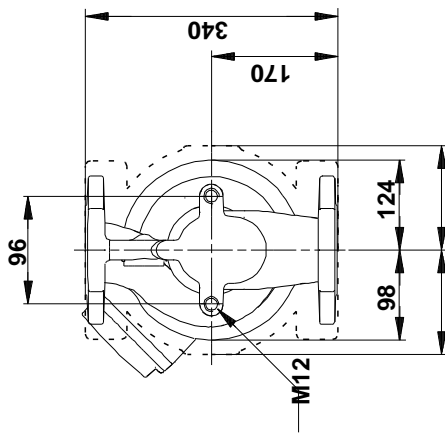
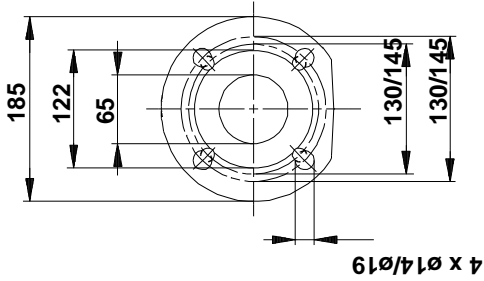
## 96430298 UPS 65-185 F 50



|                 |              |                   |
|-----------------|--------------|-------------------|
|                 |              | UPS 65-185 F      |
|                 |              | 96430298          |
| EAN             |              | 5700392948113     |
|                 |              | 3                 |
|                 |              | 185               |
|                 |              | AAA,EAC           |
|                 |              | EN-JL1040         |
|                 |              | ASTM 35 B - 40 B  |
|                 |              | DIN W.-Nr. 1.4301 |
|                 |              | AISI 304          |
|                 |              | 0 .. 40 °C        |
|                 |              | 10                |
|                 |              | DIN               |
|                 |              | DN 65             |
|                 |              | PN 6 / PN 10      |
|                 |              | 340               |
|                 |              | -10 .. 120 °C     |
|                 |              | 60 °C             |
|                 |              | 983.2 / 3         |
|                 |              | 1: 1220           |
|                 |              | 2: 1340           |
|                 |              | 1710              |
|                 |              | 50 Hz             |
|                 |              | 3 x 400-415       |
|                 | 1:           | 2 A               |
|                 | 2:           | 2.2 A             |
|                 | 3:           | 3.25 A            |
| Cos             | 1:           | 0.88              |
| Cos             | 2:           | 0.88              |
| Cos             |              | 0.76              |
|                 | (IEC 85):    | H                 |
|                 | (IEC 60529): | X4D               |
|                 |              | CONTACT           |
|                 |              | 1.30H             |
|                 |              | 32.5              |
|                 |              | 33.7              |
|                 |              | 0.055 3           |
| Danish VVS No.: |              | 380738043         |
| C               |              | RS                |
|                 |              | 8413703000        |



## 96430298 UPS 65-185 F 50



**96430298 UPS 65-185 F 50**

