

1 UPSD 65-60/2 F



: 96408935

- *
- *
- *
- *
- *
- *

3-

Relay:

: -10 .. 120 °C
 : 60 °C
 : 983.2 / 3

: AAA,EAC

EN-JL1040
 ASTM 35 B - 40 B
 DIN W.-Nr. 1.4301

AISI 304

: 0 .. 40 °C

10

DIN

DN 65

PN 6 / PN 10

340

1: 330

2: 370

: 490

50 Hz

: 3 x 400-415

1: 0.56 A

2: 0.64 A

3: 1.05 A

Cos 1: 0.85

Cos 2: 0.83

Cos : 0.67

2

(IEC 85): F

(IEC 60529): X4D

50

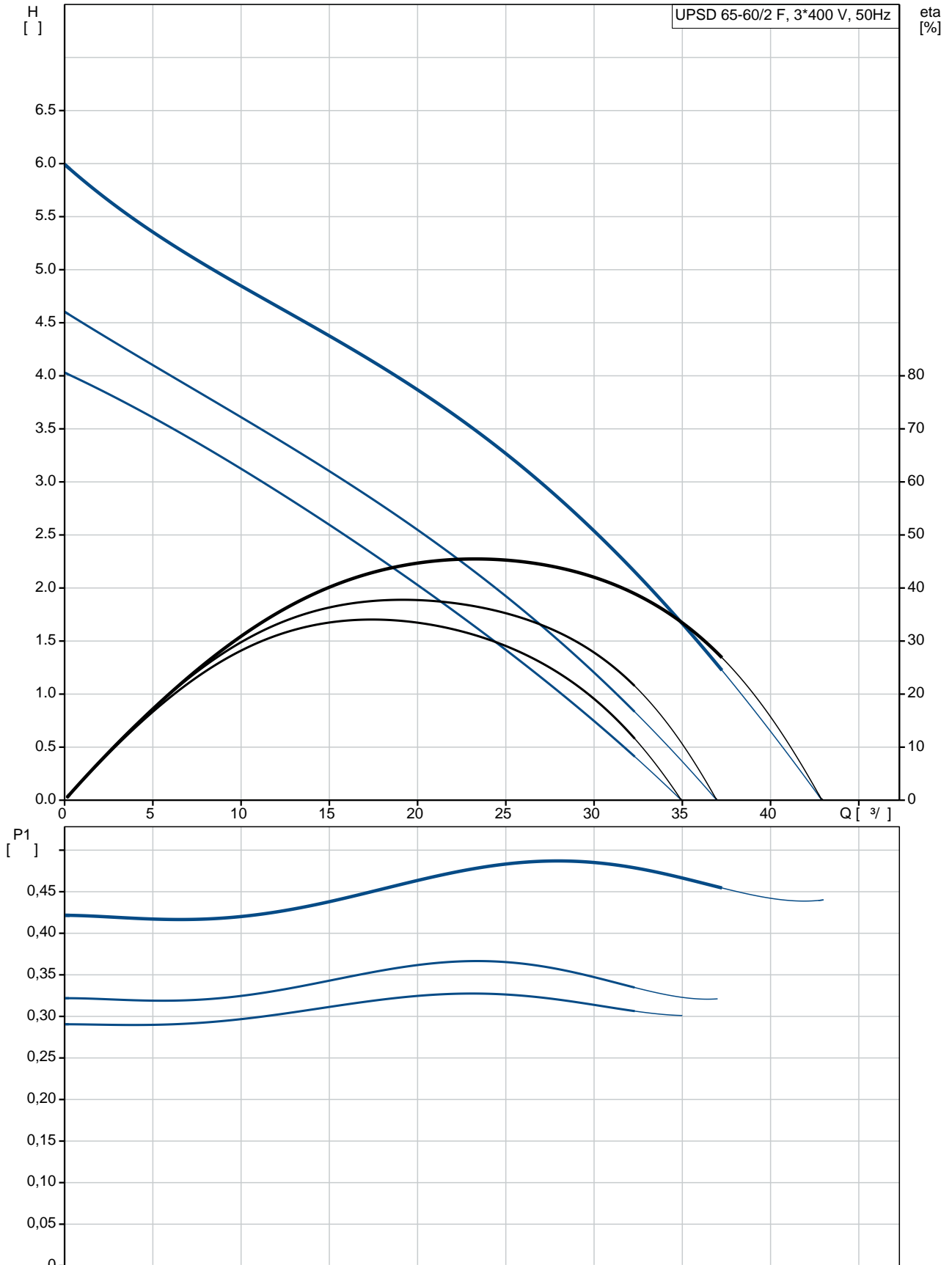
55.9

0.125 ³

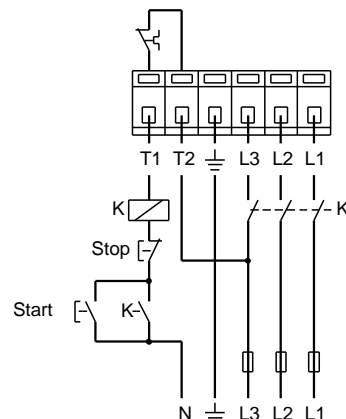
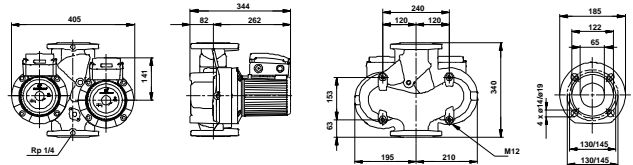
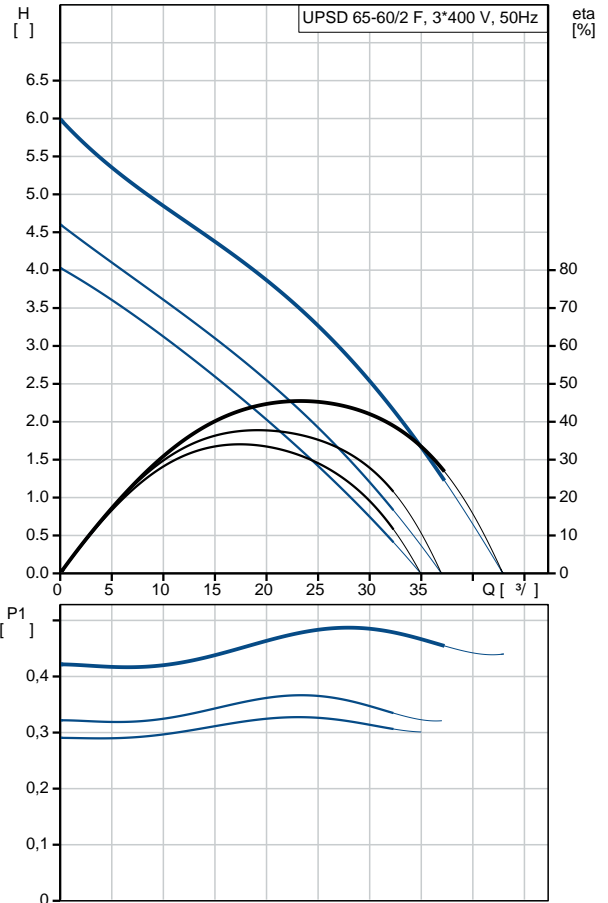
C RS

841370300

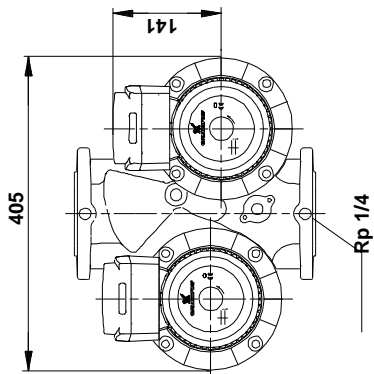
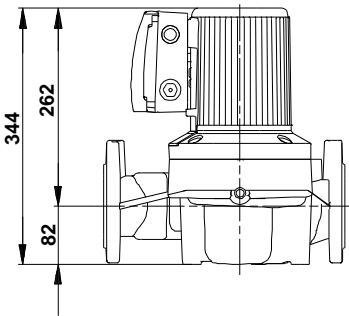
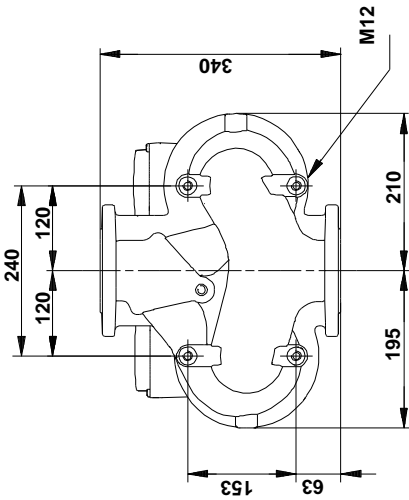
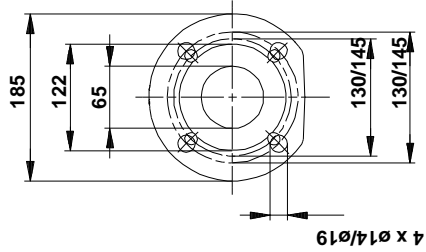
96408935 UPSD 65-60/2 F 50



		UPSD 65-60/2 F
		96408935
EAN		5700390916510
		3
		60
		AAA,EAC
		EN-JL1040
		ASTM 35 B - 40 B
		DIN W.-Nr. 1.4301
		AISI 304
		0 .. 40 °C
		10
		DIN
		DN 65
		PN 6 / PN 10
		340
		-10 .. 120 °C
		60 °C
		983.2 / ³
		1: 330
		2: 370
		490
		50 Hz
		3 x 400-415
	1:	0.56 A
	2:	0.64 A
	3:	1.05 A
Cos	1:	0.85
Cos	2:	0.83
Cos		0.67
		2
	(IEC 85):	F
	(IEC 60529):	X4D
		CONTACT
		12H
		50
		55.9
		0.125 ³
C		RS
		841370300



96408935 UPSD 65-60/2 F 50



96408935 UPSD 65-60/2 F 50

