

1 UPSD 65-120 F



: 96408925

- \* .
- \* .
- \* .
- \* .
- \* .
- \* .
- \* .

Relay:

: -10 .. 120 °C  
 : 60 °C  
 983.2 / 3

: AAA,EAC

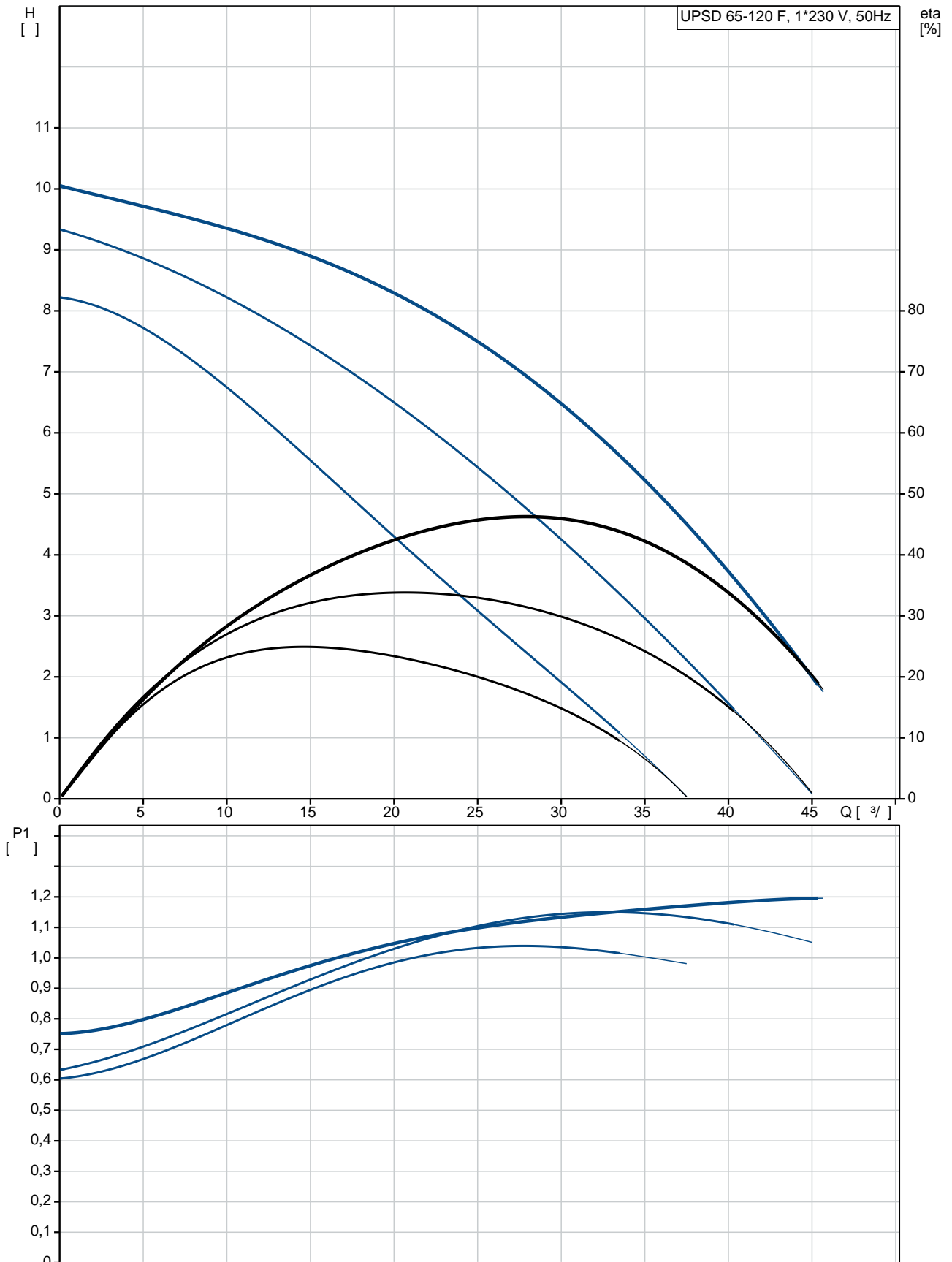
EN-JL1040  
 ASTM 35 B - 40 B

DIN W.-Nr. 1.4301  
 AISI 304

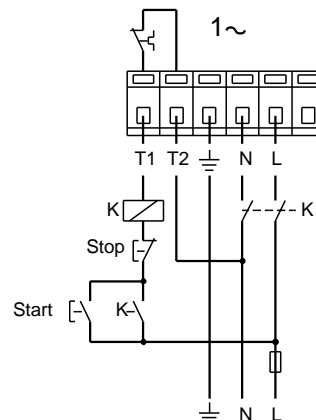
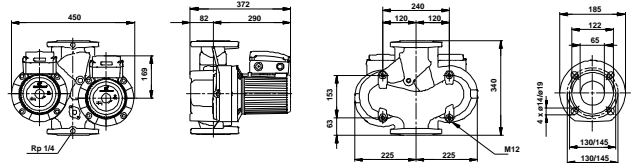
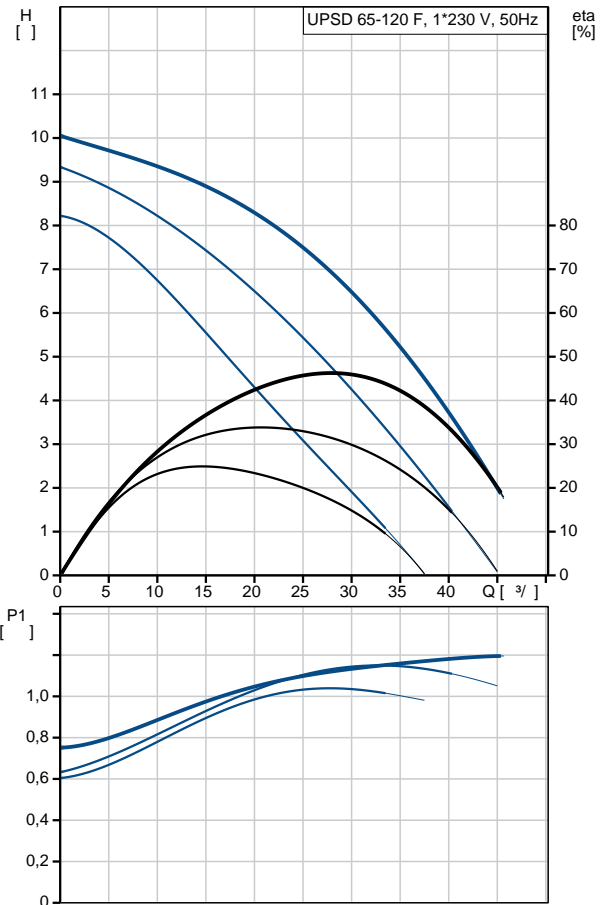
: 0 .. 40 °C



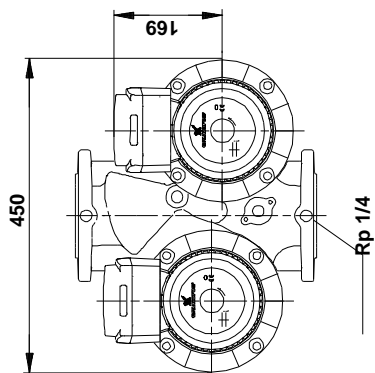
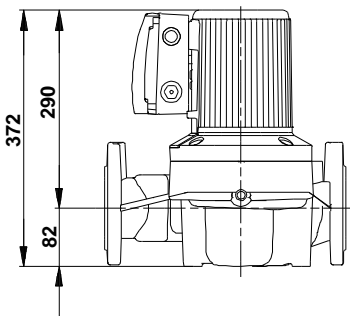
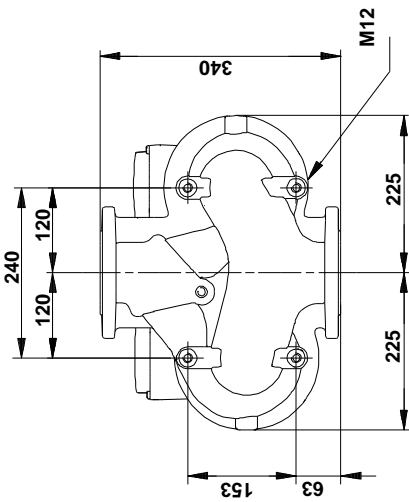
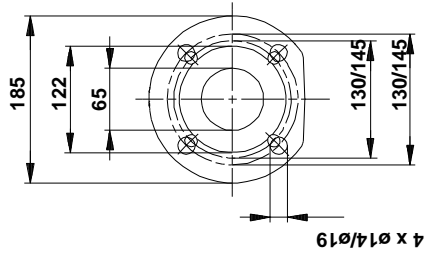
## 96408925 UPSD 65-120 F 50



		UPSD 65-120 F
		96408925
EAN		5700390424954
		3
		120
		AAA,EAC
		EN-JL1040
		ASTM 35 B - 40 B
		DIN W.-Nr. 1.4301
		AISI 304
		0 .. 40 °C
		10
		DIN
		DN 65
		PN 6 / PN 10
		340
		-10 .. 120 °C
		60 °C
		983.2 / 3
		1: 1050
		2: 1150
		1200
		50 Hz
		1 x 230-240
	1:	5.1 A
	2:	5.6 A
	3:	5.5 A
Cos	1:	0.9
Cos	2:	0.89
Cos		0.95
		30 /400
	(IEC 85):	H
	(IEC 60529):	X4D
		CONTACT
		12H
		68
		75.5
		0.125 3
C		RS
		8413703000



## 96408925 UPSD 65-120 F 50



## 96408925 UPSD 65-120 F 50

