

1 UPSD 50-180 F



: 96408915

- *
- *
- *
- *
- *
- *
- *

Relay:

: -10 .. 120 °C
: 60 °C
983.2 / 3

: AAA,EAC

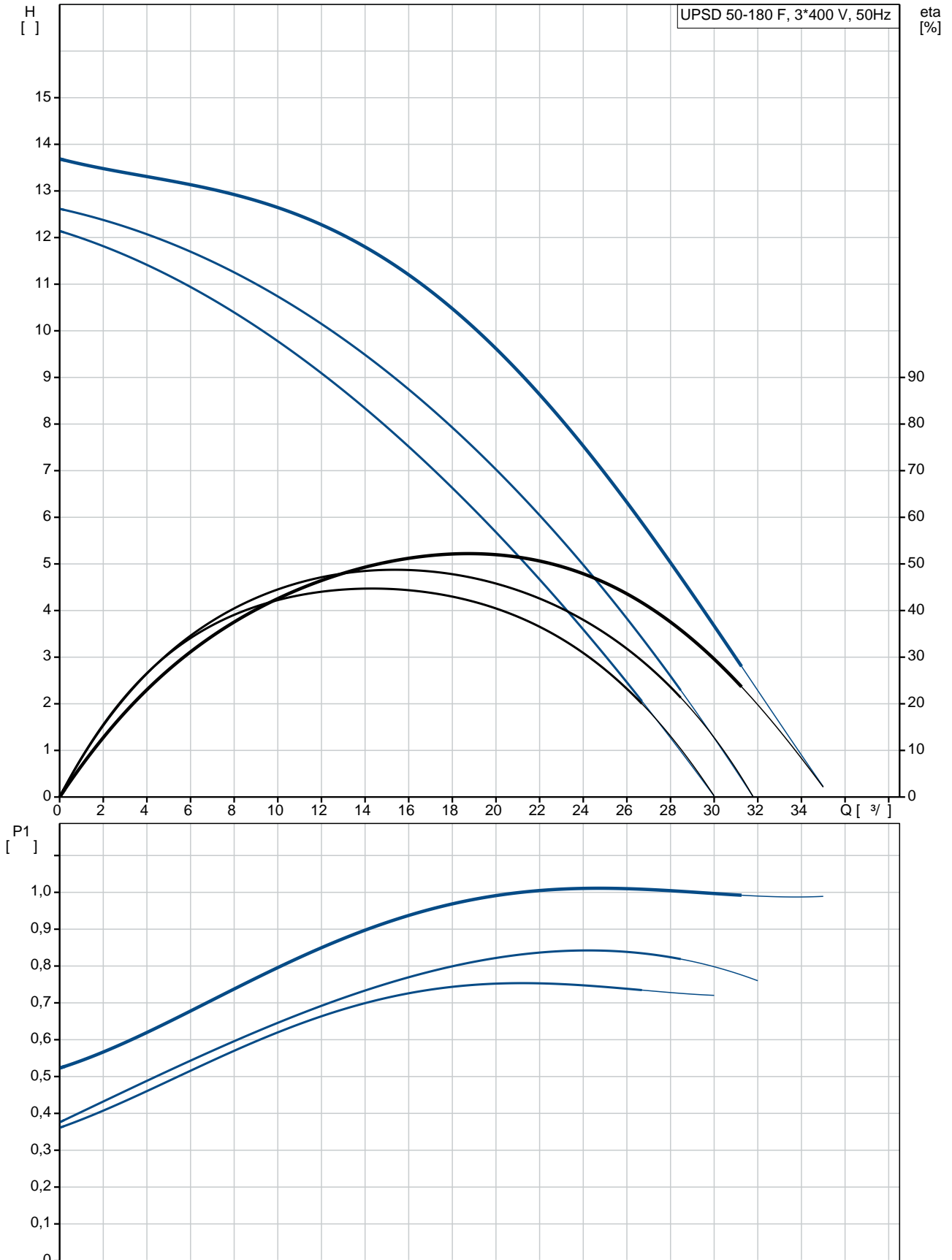
EN-JL1040
ASTM 35 B - 40 B

DIN W.-Nr. 1.4301
AISI 304

: 0 .. 40 °C

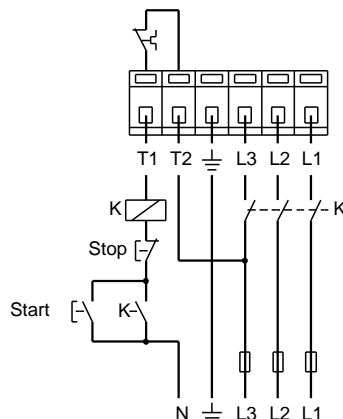
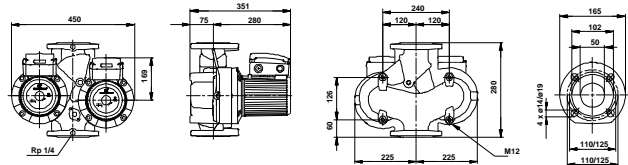
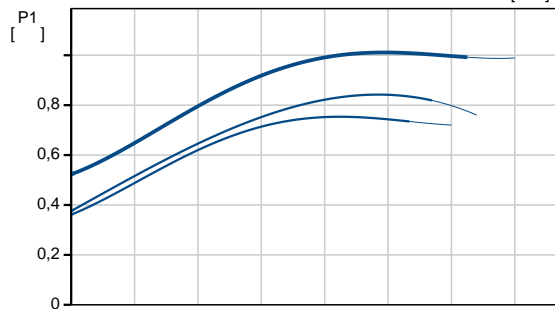
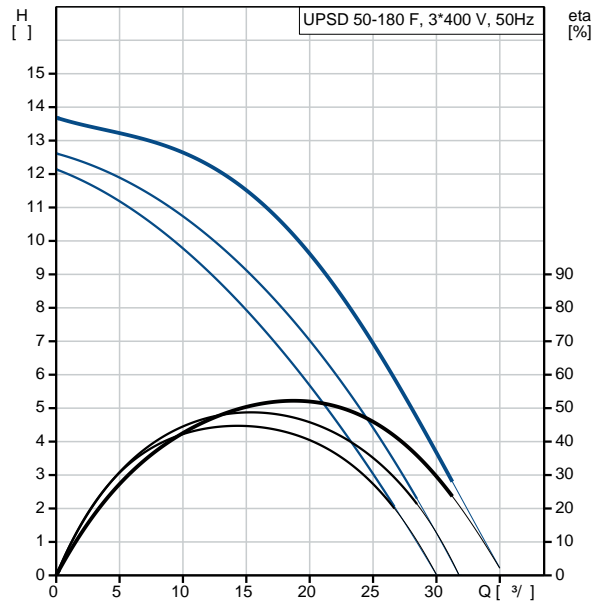
. : 10
: : DIN
: : DN 50
: : PN 6 / PN 10
: : 280
:
1: 760
2: 850
: 1000
: 50 Hz
: 3 x 400-415
1: 1.25 A
2: 1.4 A
3: 2 A
Cos 1: 0.88
Cos 2: 0.88
Cos : 0.72
(IEC 85): H
(IEC 60529): X4D
:
: 51.5
: 58.4
: 0.125³
Danish VVS No.: 381727042
C : RS
: 8413703000

96408915 UPSD 50-180 F 50

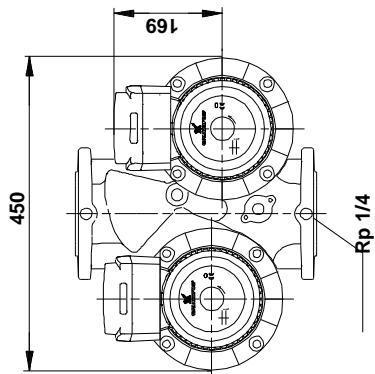
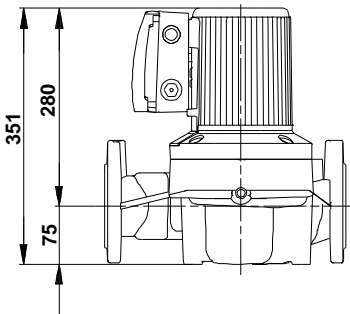
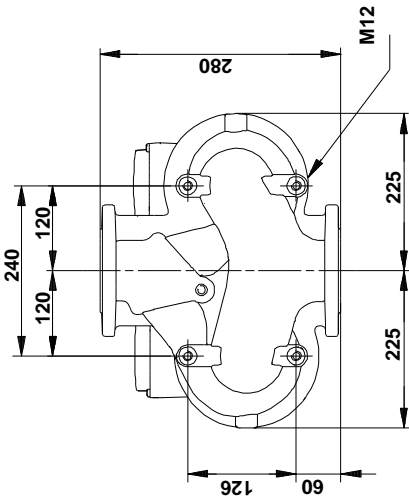
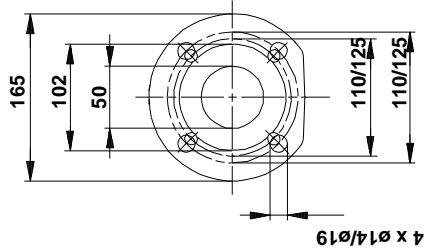


23.11.2020

| | | |
|-----------------|--------------|-------------------|
| | | UPSD 50-180 F |
| | | 96408915 |
| EAN | | 5700390424664 |
| | | 3 |
| | | 180 |
| | | AAA,EAC |
| | | EN-JL1040 |
| | | ASTM 35 B - 40 B |
| | | DIN W.-Nr. 1.4301 |
| | | AISI 304 |
| | | 0 .. 40 °C |
| | | 10 |
| | | DIN |
| | | DN 50 |
| | | PN 6 / PN 10 |
| | | 280 |
| | | -10 .. 120 °C |
| | | 60 °C |
| | | 983.2 / ³ |
| | | 1: 760 |
| | | 2: 850 |
| | | 1000 |
| | | 50 Hz |
| | | 3 x 400-415 |
| | 1: | 1.25 A |
| | 2: | 1.4 A |
| | 3: | 2 A |
| Cos | 1: | 0.88 |
| Cos | 2: | 0.88 |
| Cos | | 0.72 |
| | (IEC 85): | H |
| | (IEC 60529): | X4D |
| | | CONTACT |
| | | 12H |
| | | 51.5 |
| | | 58.4 |
| | | 0.125 ³ |
| Danish VVS No.: | | 381727042 |
| C | | RS |
| | | 8413703000 |



96408915 UPSD 50-180 F 50



96408915 UPSD 50-180 F 50

