

1 UPS 80-120 F



: 96402440

« » , . .

* 3
*
*
*
*
*
-3-

Relay:

: -10 .. 120 °C
: 60 °C
983.2 / 3

: AAA,EAC

EN-JL1040
ASTM 35 B - 40 B

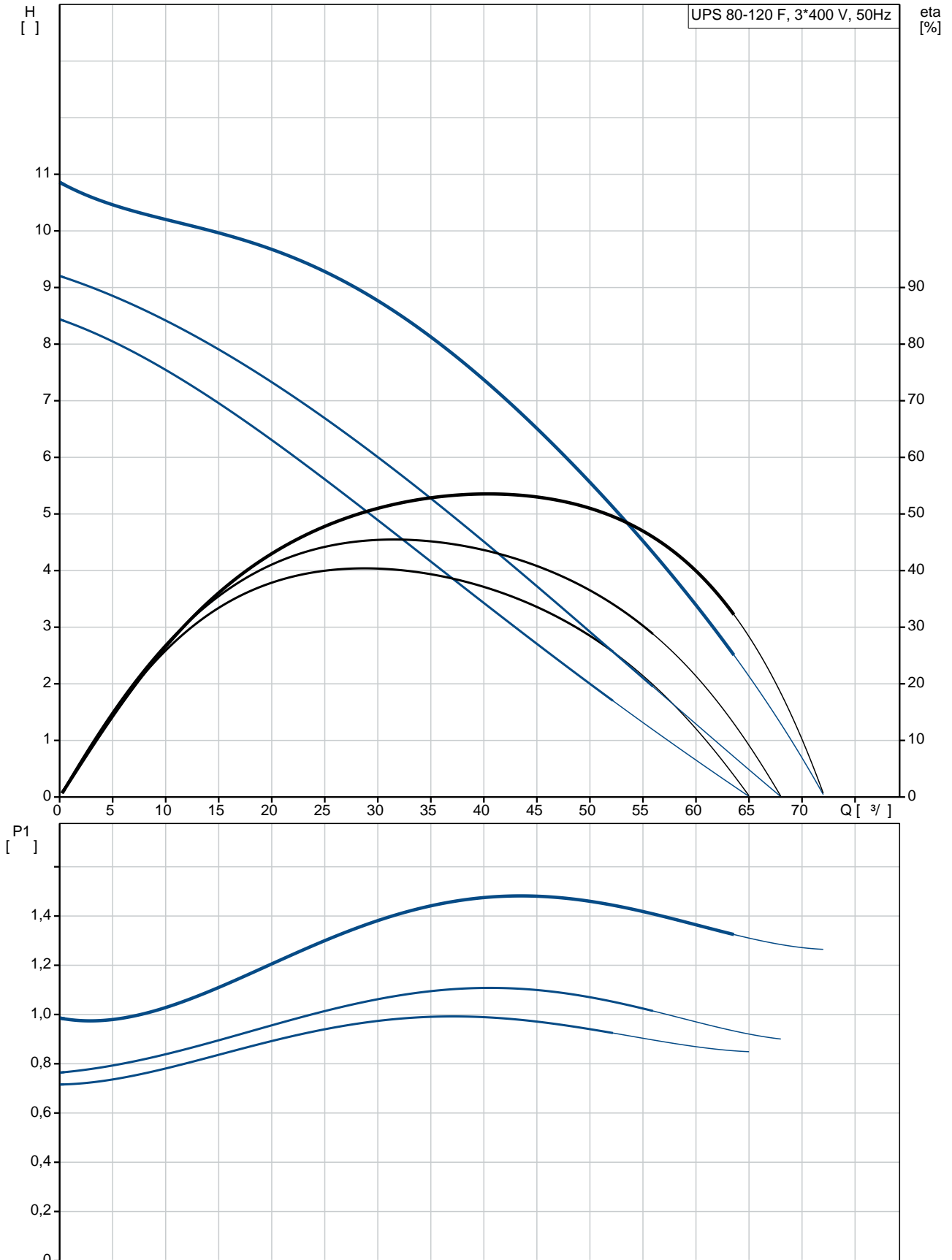
DIN W.-Nr. 1.4301
AISI 304

: 0 .. 40 °C

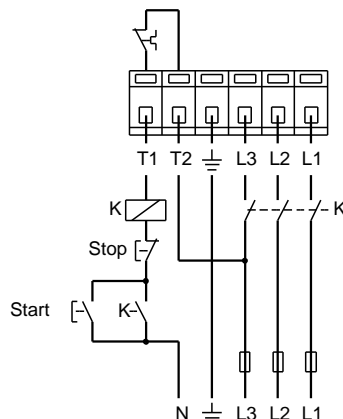
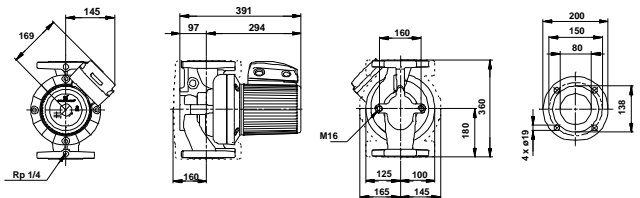
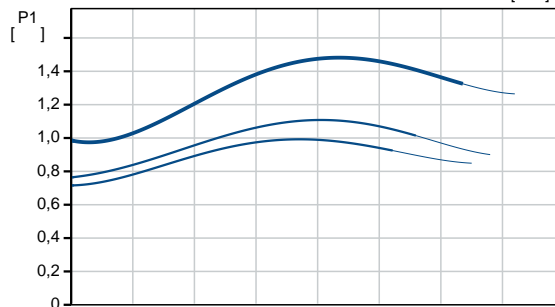
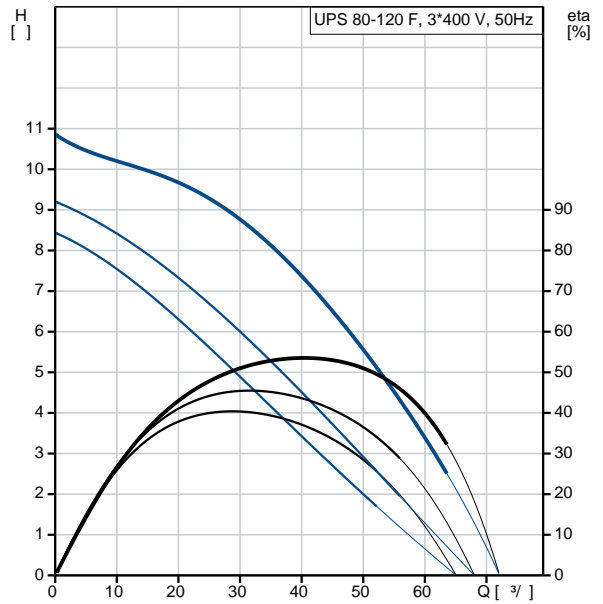
6
DIN
DN 80

PN 6
360
1: 1000
2: 1100
: 1500
: 50 Hz
: 3 x 400-415
1: 1.65 A
2: 1.8 A
3: 2.75 A
Cos 1: 0.87
Cos 2: 0.88
Cos : 0.79
(IEC 85): H
(IEC 60529): X4D
: 38.2
: 38.6
: 0.055 ³
Norwegian NRF no.: 9042452
C : RS
: 8413703000

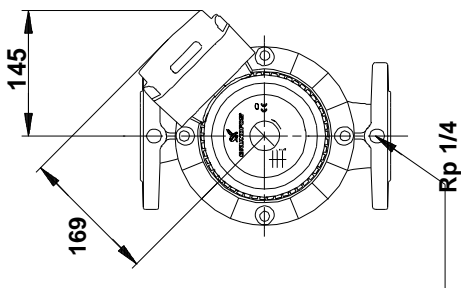
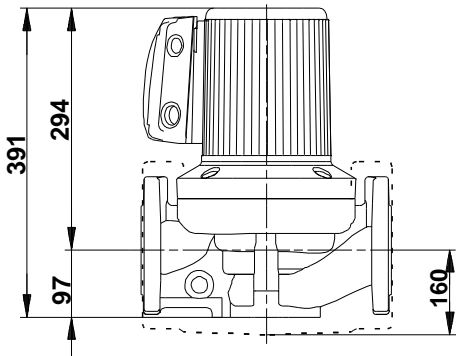
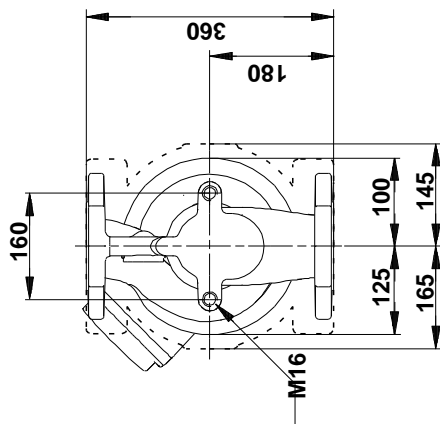
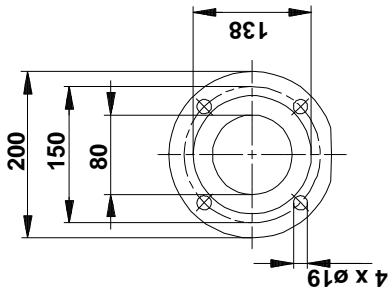
96402440 UPS 80-120 F 50



		UPS 80-120 F
		96402440
EAN		5700390669447
		3
		120
		AAA,EAC
		EN-JL1040
		ASTM 35 B - 40 B
		DIN W.-Nr. 1.4301
		AISI 304
		0 .. 40 °C
		6
		DIN
		DN 80
		PN 6
		360
		-10 .. 120 °C
		60 °C
		983.2 / 3
		1: 1000
		2: 1100
		1500
		50 Hz
		3 x 400-415
	1:	1.65 A
	2:	1.8 A
	3:	2.75 A
Cos	1:	0.87
Cos	2:	0.88
Cos		0.79
	(IEC 85):	H
	(IEC 60529):	X4D
		CONTACT
		1.30H
		38.2
		38.6
		0.055 3
Norwegian NRF no.:		9042452
C		RS
		8413703000



96402440 UPS 80-120 F 50



96402440 UPS 80-120 F 50

