

1 UPS 80-60 F



: [96402392](#)

« » , . .

* 3
*
*
*
*
*
-3-

Relay:

: -10 .. 120 °C
: 60 °C
983.2 / 3

: AAA,EAC

EN-JL1040
ASTM 35 B - 40 B

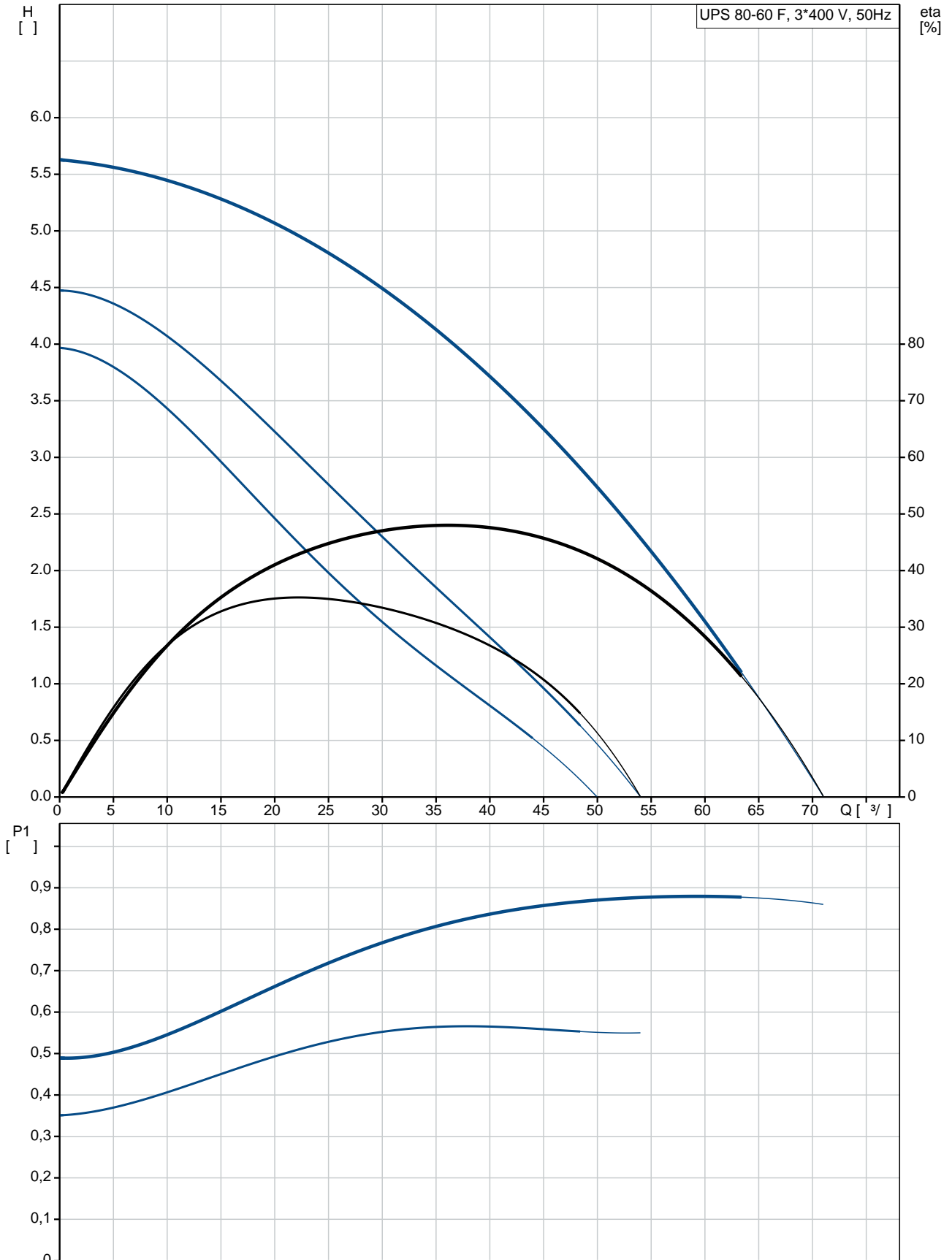
DIN W.-Nr. 1.4301
AISI 304

: 0 .. 40 °C

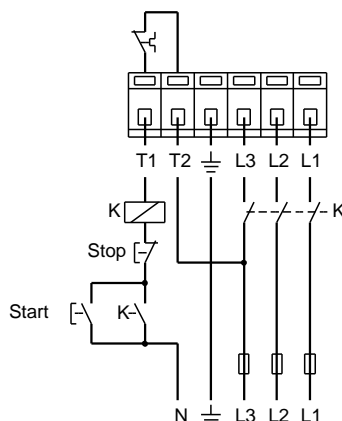
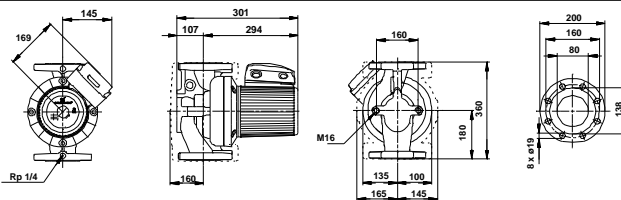
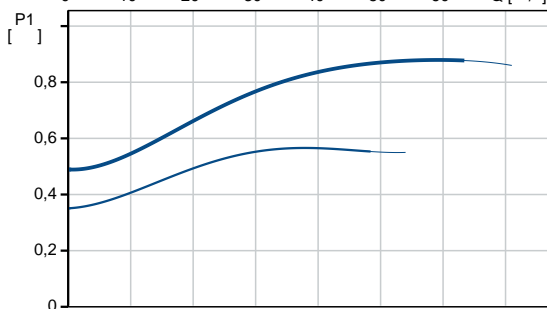
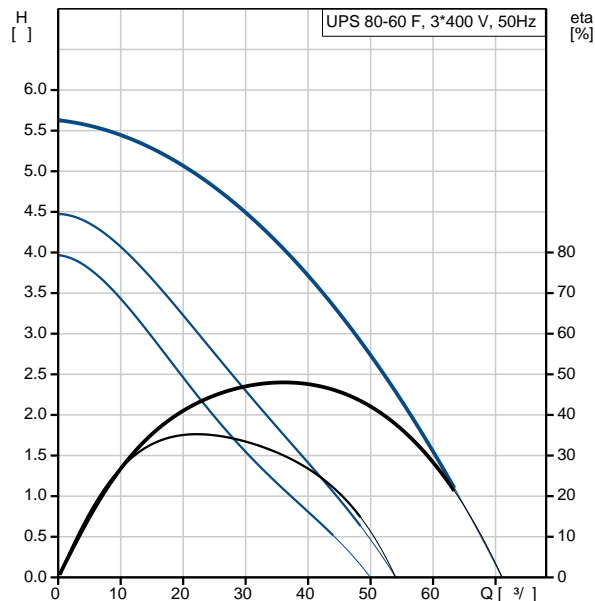
: 10
: DIN
: DN 80

PN 10
360
1: 470
2: 570
: 880
: 50 Hz
: 3 x 400-415
1: 0.84 A
2: 1 A
3: 1.8 A
Cos 1: 0.81
Cos 2: 0.82
Cos : 0.71
(IEC 85): H
(IEC 60529): X4D
: 38.7
: 39.2
: 0.055³
Danish VVS No.: 380743044
Norwegian NRF no.: 9042448
C : RS
: 8413703000

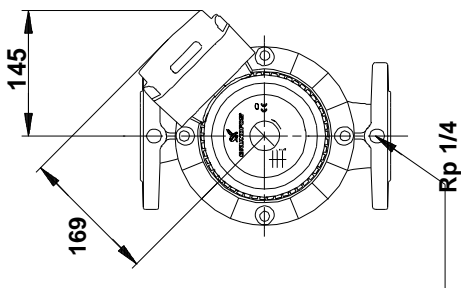
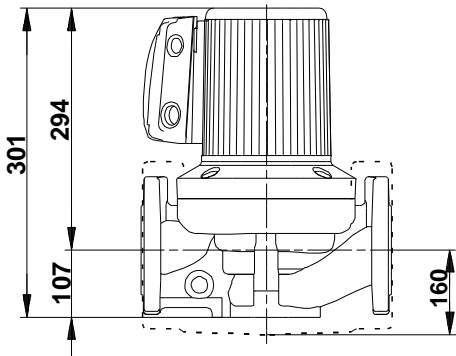
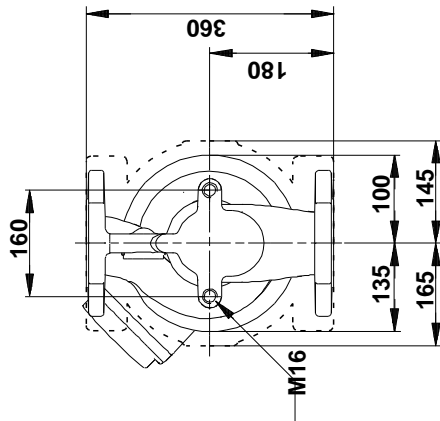
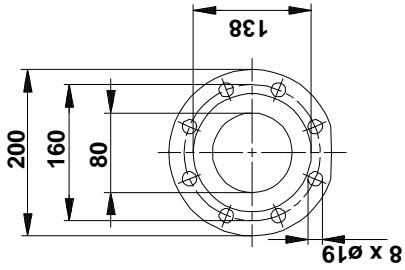
96402392 UPS 80-60 F 50



		UPS 80-60 F
		96402392
EAN	:	5708601059001
		3
		60
		AAA,EAC
		EN-JL1040
		ASTM 35 B - 40 B
		DIN W.-Nr. 1.4301
		AISI 304
		0 .. 40 °C
		10
		DIN
		DN 80
		PN 10
		360
		-10 .. 120 °C
		60 °C
		983.2 / 3
		1: 470
		2: 570
		880
		50 Hz
		3 x 400-415
		1: 0.84 A
		2: 1 A
		3: 1.8 A
Cos	1:	0.81
Cos	2:	0.82
Cos	:	0.71
		(IEC 85): H
		(IEC 60529): X4D
		CONTACT
		1.30H
		38.7
		39.2
		0.055 3
Danish VVS No.:		380743044
Norwegian NRF no.:		9042448
C		RS
		8413703000



96402392 UPS 80-60 F 50



96402392 UPS 80-60 F 50

