

1 UPS 65-180 F B



: 96402320

« » , . . .

- * : * 3
- * , ,
- * ,
- * : *
- * ,

- 3 -

Relay:

: -10 .. 120 °C
 : 60 °C
 983.2 / 3

: CE,EAC,AAA,WEEE

DIN W.-Nr. 2.1176.01
 ASTM B-271

DIN W.-Nr. 1.4301
 AISI 304

: 0 .. 40 °C

: 10
: DIN
: DN 65
: PN 6 / PN 10
: 340

:
1: 1100
2: 1200

: 1550
: 50 Hz
: 3 x 400-415
1: 1.85 A
2: 2 A
3: 2.9 A

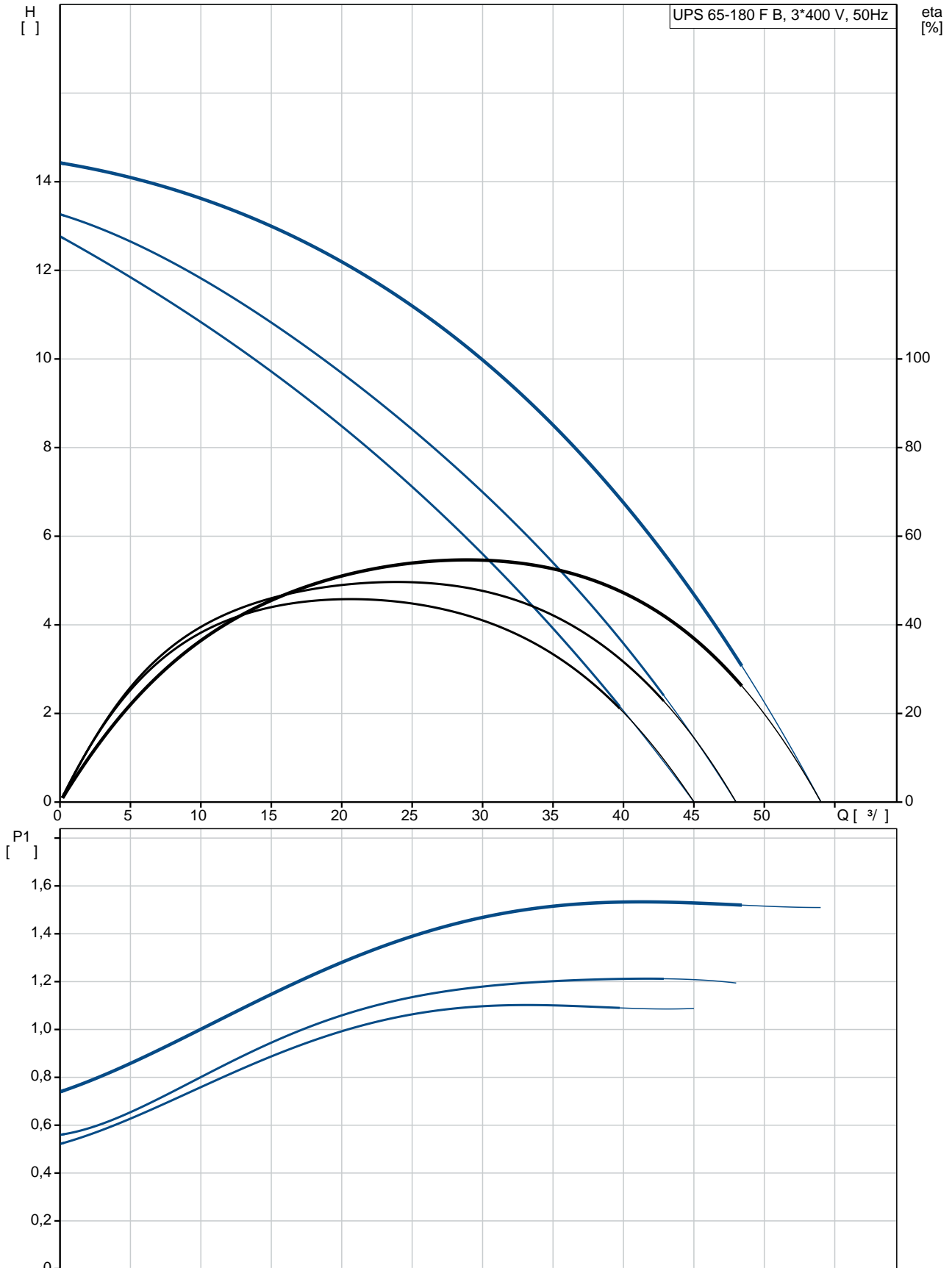
Cos 1: 0.86
Cos 2: 0.87
Cos : 0.77

(IEC 85): H
(IEC 60529): X4D

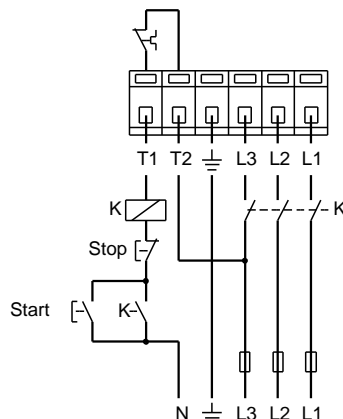
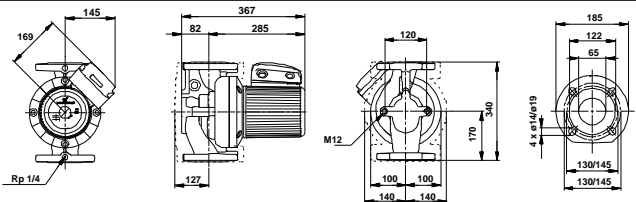
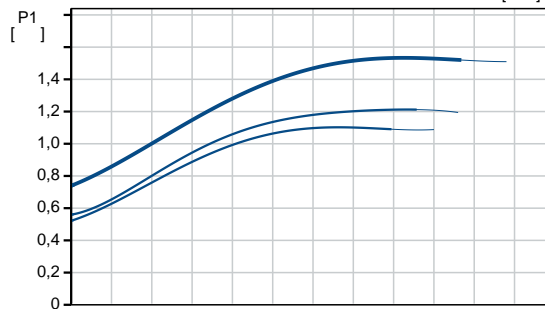
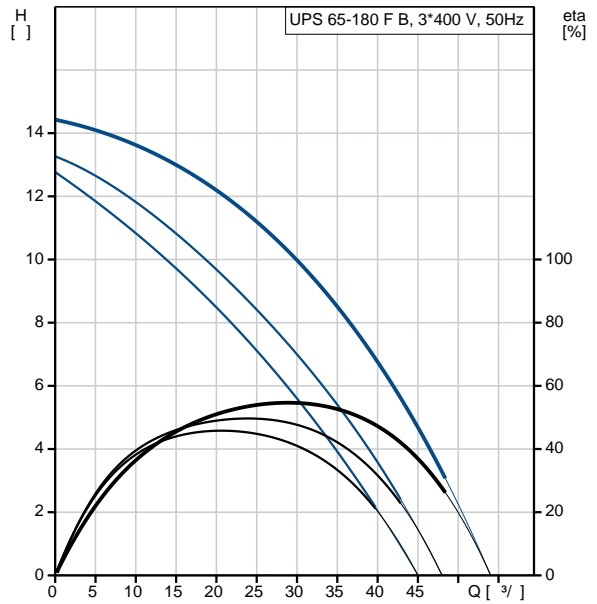
:
: 36.2
: 36.5
: 0.043 ³

C : RS
: 8413703000

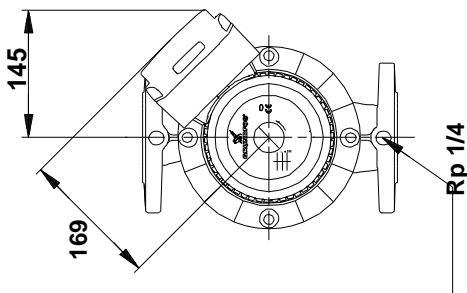
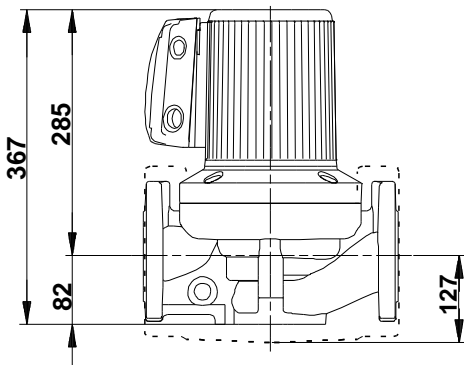
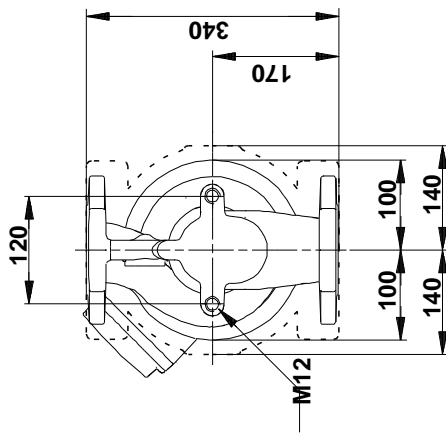
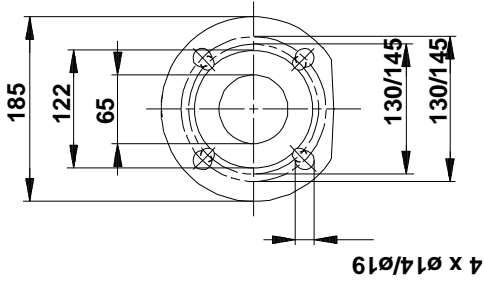
96402320 UPS 65-180 F B 50



| | | |
|-----|--------------|----------------------|
| | | UPS 65-180 F B |
| | | 96402320 |
| EAN | | 5700390665869 |
| | | 3 |
| | | 180 |
| | | CE,EAC,AAA,WEEE |
| | | DIN W.-Nr. 2.1176.01 |
| | | ASTM B-271 |
| | | DIN W.-Nr. 1.4301 |
| | | AISI 304 |
| | | 0 .. 40 °C |
| | | 10 |
| | | DIN |
| | | DN 65 |
| | | PN 6 / PN 10 |
| | | 340 |
| | | -10 .. 120 °C |
| | | 60 °C |
| | | 983.2 / 3 |
| | | 1: 1100 |
| | | 2: 1200 |
| | | 1550 |
| | | 50 Hz |
| | | 3 x 400-415 |
| | 1: | 1.85 A |
| | 2: | 2 A |
| | 3: | 2.9 A |
| Cos | 1: | 0.86 |
| Cos | 2: | 0.87 |
| Cos | | 0.77 |
| | (IEC 85): | H |
| | (IEC 60529): | X4D |
| | | CONTACT |
| | | 1.30H |
| | | 36.2 |
| | | 36.5 |
| | | 0.043 3 |
| C | | RS |
| | | 8413703000 |



96402320 UPS 65-180 F B 50



96402320 UPS 65-180 F B 50

