

1 UPS 65-120 F



: 96402278

« » , . .

\* 3  
\*  
\*  
\*  
\*  
\*  
- 1-

Relay:

: -10 .. 120 °C  
: 60 °C  
983.2 / 3

: AAA,EAC

EN-JL1040  
ASTM 35 B - 40 B

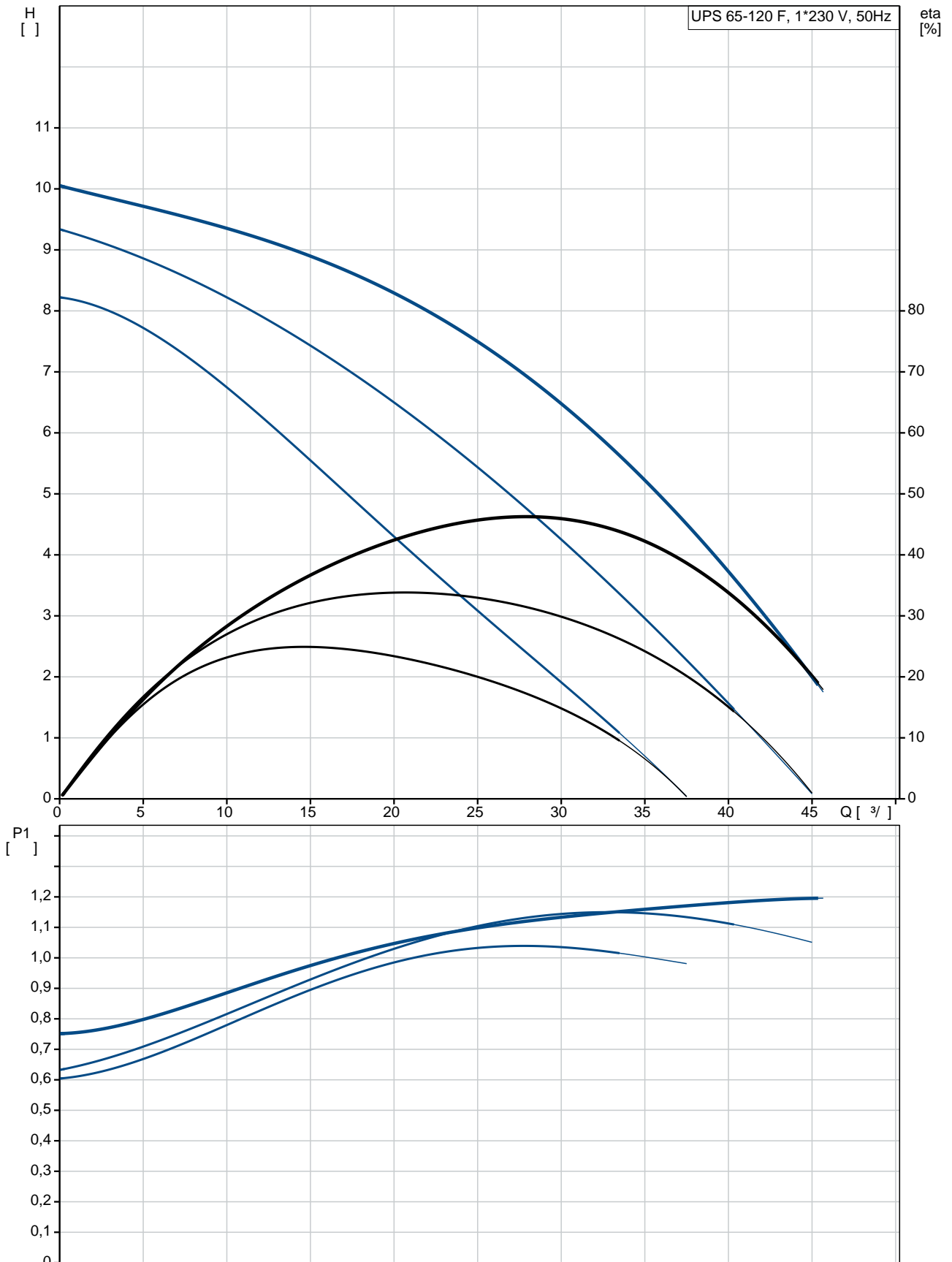
DIN W.-Nr. 1.4301  
AISI 304

: 0 .. 40 °C

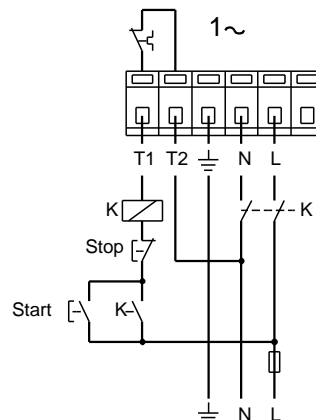
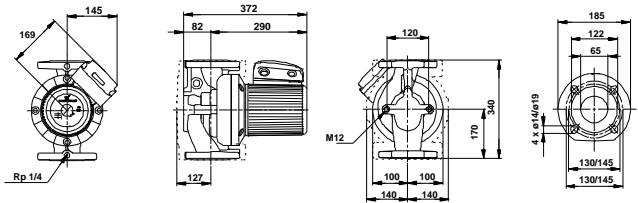
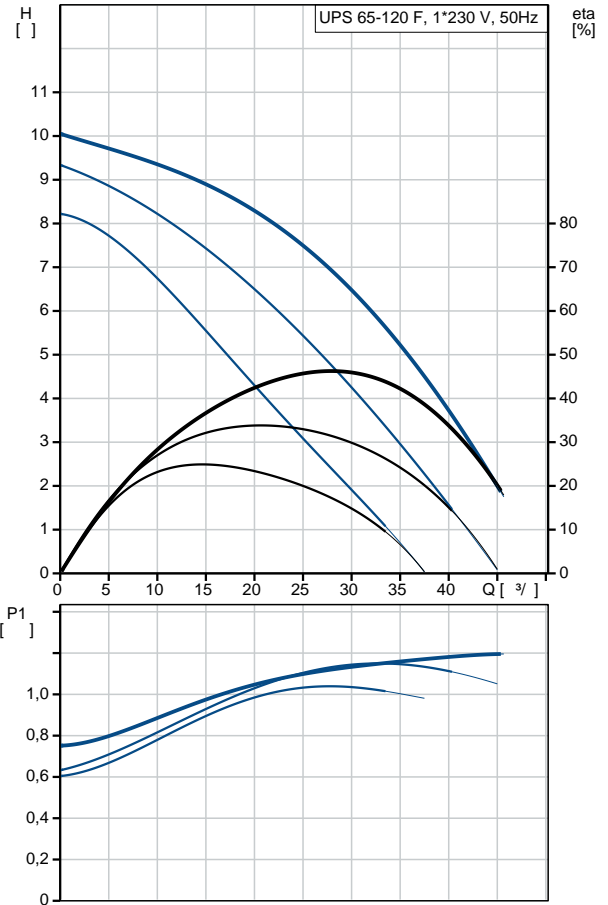
: 10  
: DIN  
: DN 65

: PN 6 / PN 10  
 : 340  
 :  
 : 1: 1050  
 : 2: 1150  
 : 1200  
 : 50 Hz  
 : 1 x 230-240  
 1: 5.1 A  
 2: 5.6 A  
 3: 5.5 A  
 Cos 1: 0.9  
 Cos 2: 0.89  
 Cos : 0.95  
 : 30 /400  
 (IEC 85): H  
 (IEC 60529): X4D  
 :  
 : 27.2  
 : 33  
 : 0.043 <sup>3</sup>  
 C : RS  
 : 8413703000

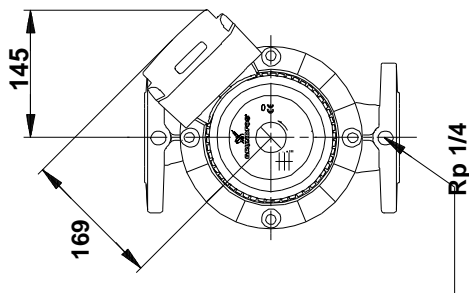
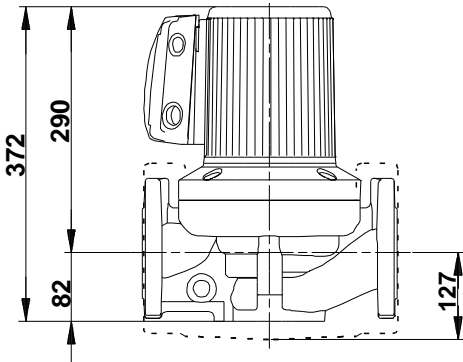
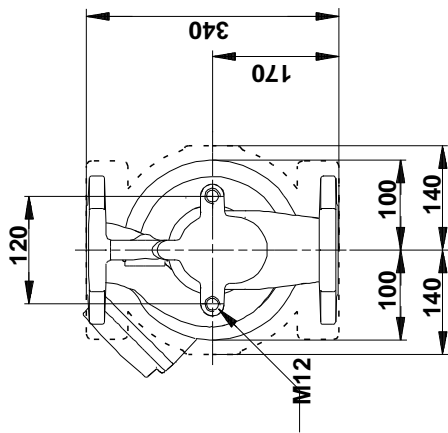
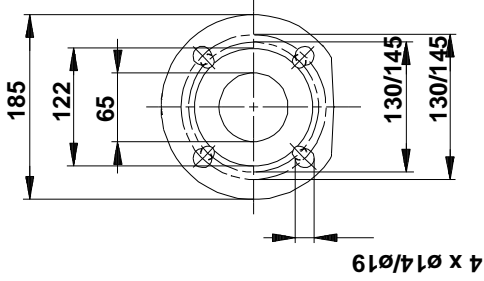
## 96402278 UPS 65-120 F 50



|     |              |                   |
|-----|--------------|-------------------|
|     |              | UPS 65-120 F      |
|     |              | 96402278          |
| EAN |              | 5700390664947     |
|     |              | 3                 |
|     |              | 120               |
|     |              | AAA,EAC           |
|     |              | EN-JL1040         |
|     |              | ASTM 35 B - 40 B  |
|     |              | DIN W.-Nr. 1.4301 |
|     |              | AISI 304          |
|     |              | 0 .. 40 °C        |
|     |              | 10                |
|     |              | DIN               |
|     |              | DN 65             |
|     |              | PN 6 / PN 10      |
|     |              | 340               |
|     |              | -10 .. 120 °C     |
|     |              | 60 °C             |
|     |              | 983.2 / ³         |
|     |              | 1: 1050           |
|     |              | 2: 1150           |
|     |              | 1200              |
|     |              | 50 Hz             |
|     |              | 1 x 230-240       |
|     | 1:           | 5.1 A             |
|     | 2:           | 5.6 A             |
|     | 3:           | 5.5 A             |
| Cos | 1:           | 0.9               |
| Cos | 2:           | 0.89              |
| Cos |              | 0.95              |
|     |              | 30 /400           |
|     | (IEC 85):    | H                 |
|     | (IEC 60529): | X4D               |
|     |              | CONTACT           |
|     |              | 1.30H             |
|     |              | 27.2              |
|     |              | 33                |
|     |              | 0.043 ³           |
| C   |              | RS                |
|     |              | 8413703000        |



## 96402278 UPS 65-120 F 50



## 96402278 UPS 65-120 F 50

