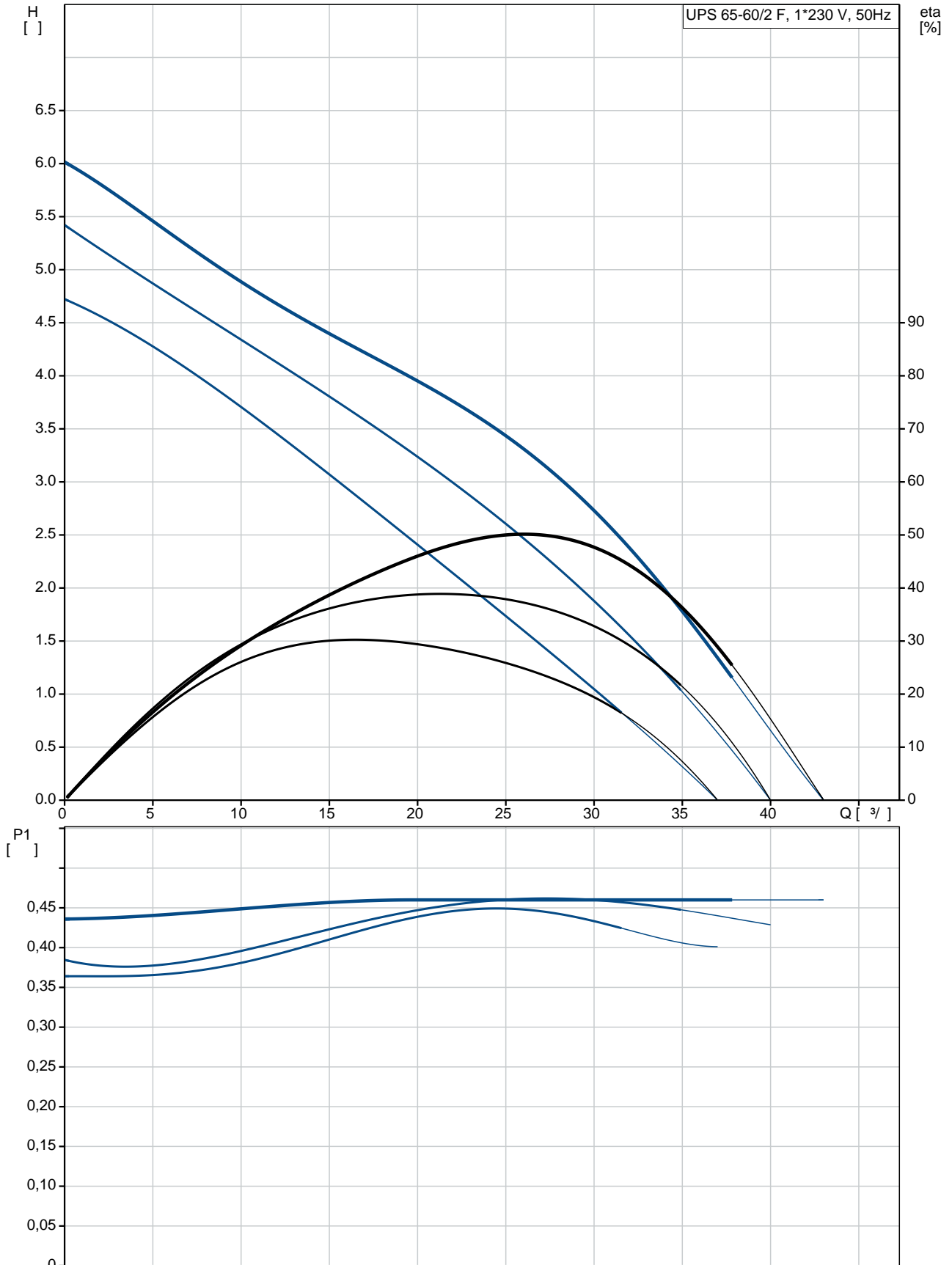
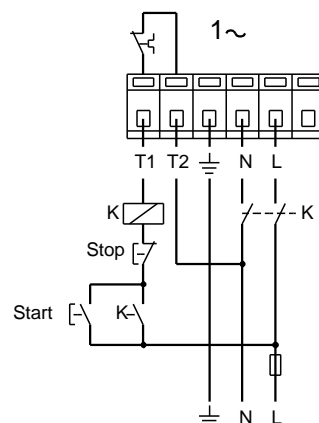
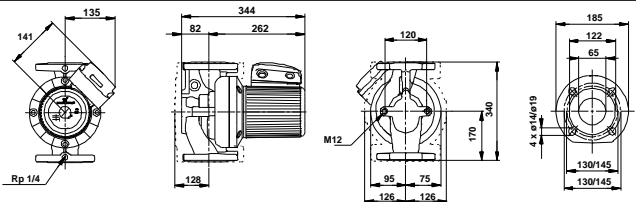
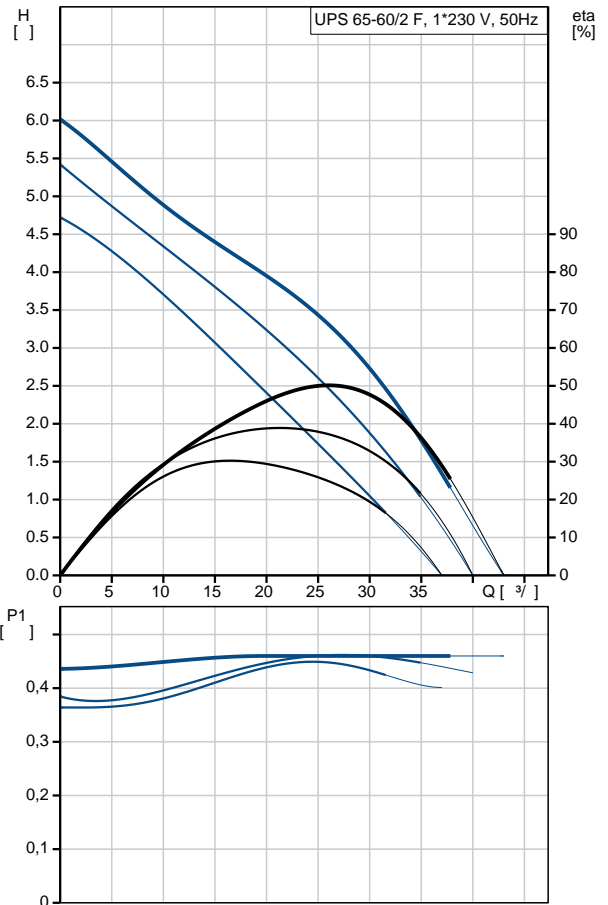


PN 6 / PN 10
340
1: 450
2: 470
: 510
50 Hz
: 1 x 230-240
1: 2.15 A
2: 2.2 A
3: 2.4 A
Cos 1: 0.91
Cos 2: 0.93
Cos : 0.92
: 16 /400
2
(IEC 85): H
(IEC 60529): X4D
25.6
26.3
0.043 ³
C : RS
8413703000

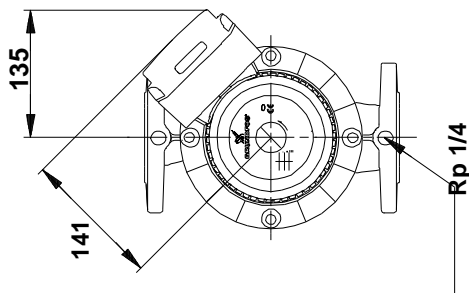
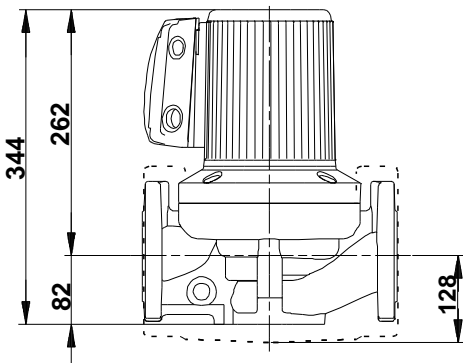
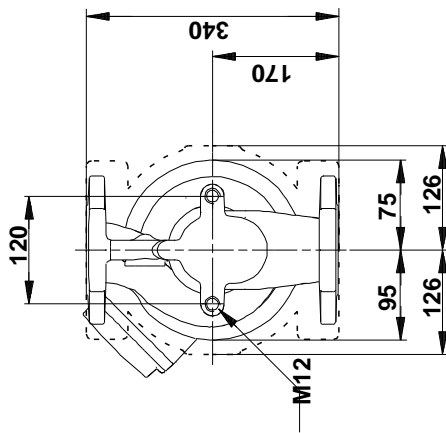
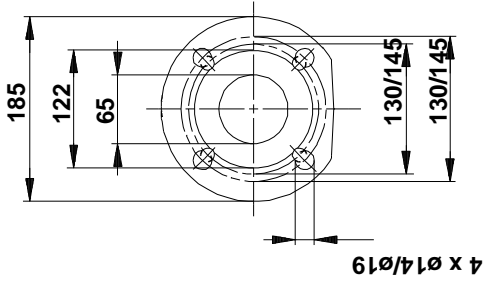
96402258 UPS 65-60/2 F 50



| | | |
|-----|--------------|-------------------|
| | | UPS 65-60/2 F |
| | | 96402258 |
| EAN | | 5700390664367 |
| | | 3 |
| | | 60 |
| | | AAA,EAC |
| | | EN-JL1040 |
| | | ASTM 35 B - 40 B |
| | | DIN W.-Nr. 1.4301 |
| | | AISI 304 |
| | | 0 .. 40 °C |
| | | 10 |
| | | DIN |
| | | DN 65 |
| | | PN 6 / PN 10 |
| | | 340 |
| | | -10 .. 120 °C |
| | | 60 °C |
| | | 983.2 / ³ |
| | | 1: 450 |
| | | 2: 470 |
| | | 510 |
| | | 50 Hz |
| | | 1 x 230-240 |
| | 1: | 2.15 A |
| | 2: | 2.2 A |
| | 3: | 2.4 A |
| Cos | 1: | 0.91 |
| Cos | 2: | 0.93 |
| Cos | | 0.92 |
| | | 16 /400 |
| | | 2 |
| | (IEC 85): | H |
| | (IEC 60529): | X4D |
| | | CONTACT |
| | | 1.30H |
| | | 25.6 |
| | | 26.3 |
| | | 0.043 ³ |
| C | | RS |
| | | 8413703000 |



96402258 UPS 65-60/2 F 50



96402258 UPS 65-60/2 F 50

