

1 UPS 50-60/2 F B



: [96402072](#)

« »

* 3

*
*
*
*
*
*

- 3 -

Relay:

: -10 .. 120 °C
: 60 °C
983.2 / 3

: CE,EAC,AAA,WEEE

DIN W.-Nr. 2.1176.01
ASTM B-271

DIN W.-Nr. 1.4301
AISI 304

: 0 .. 40 °C

: 10
: DIN
: DN 50
: PN 6 / PN 10
: 280

:
1: 235
2: 270

: 360
: 50 Hz
: 3 x 400-415
1: 0.39 A
2: 0.45 A
3: 0.74 A

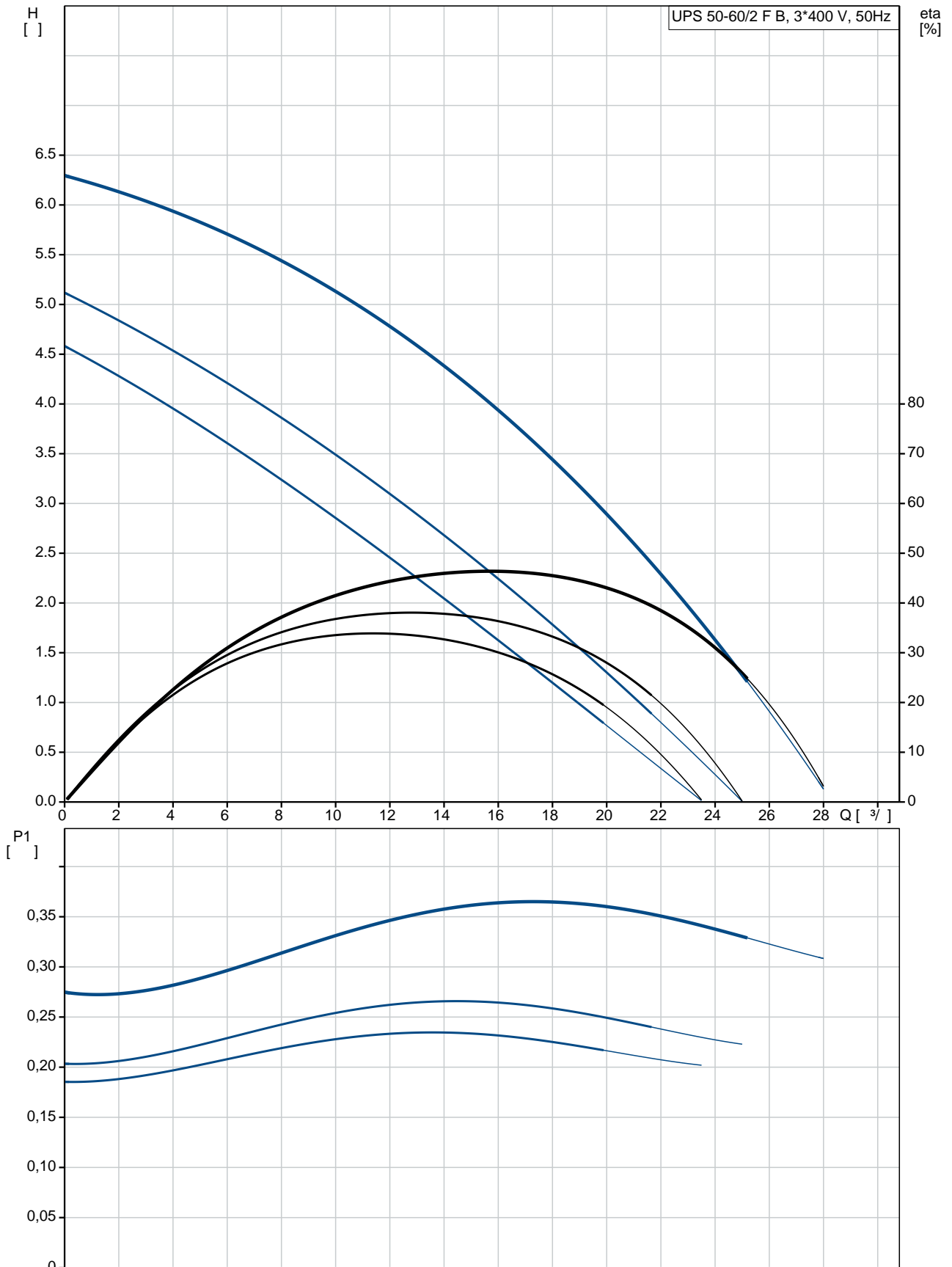
Cos 1: 0.87
Cos 2: 0.87
Cos : 0.7

: 2
(IEC 85): F
(IEC 60529): X4D

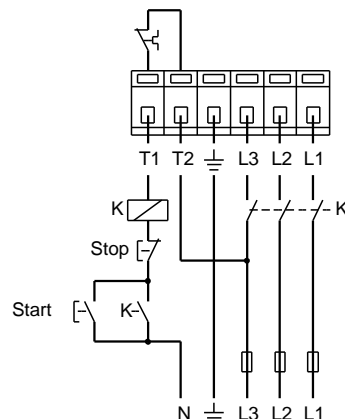
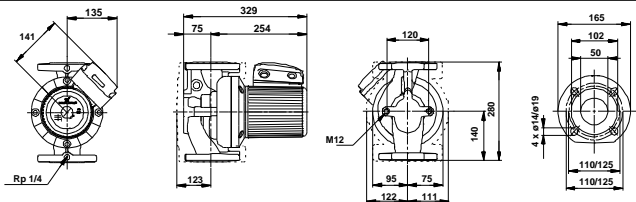
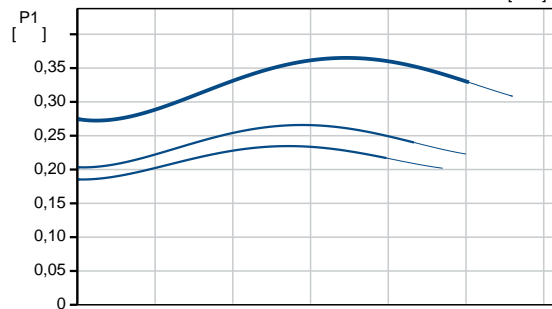
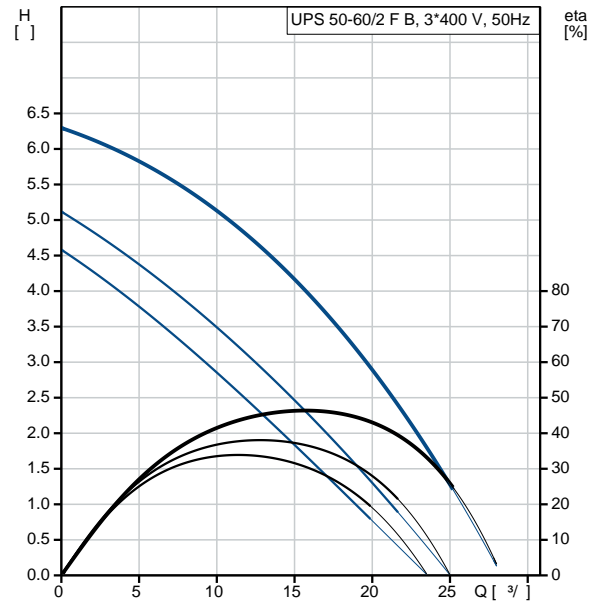
:
: 24.3
: 25.5
: 0.034 ³

Danish VVS No.: 380723342
C : RS
: 8413703000

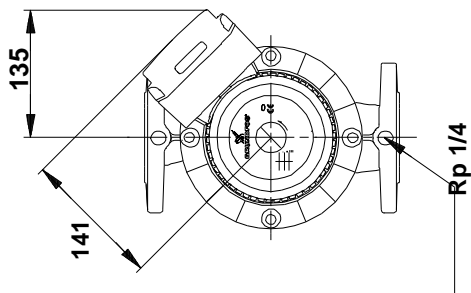
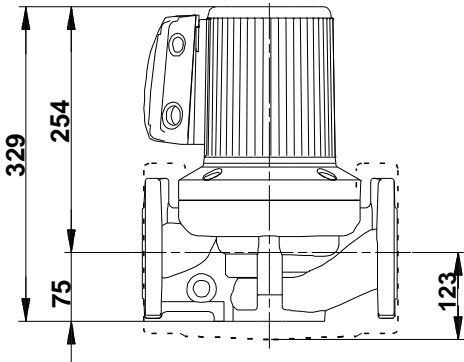
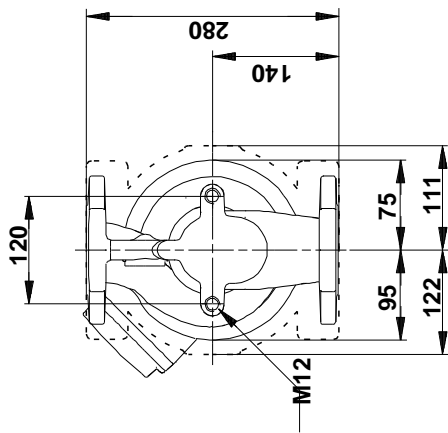
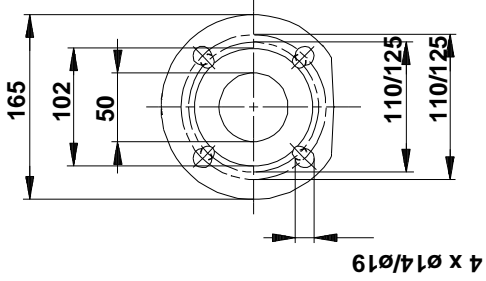
96402072 UPS 50-60/2 F B 50



| | | |
|-----------------|--------------|----------------------|
| | | UPS 50-60/2 F B |
| | | 96402072 |
| EAN | | 5708601066108 |
| | | 3 |
| | | 60 |
| | | CE,EAC,AAA,WEEE |
| | | DIN W.-Nr. 2.1176.01 |
| | | ASTM B-271 |
| | | DIN W.-Nr. 1.4301 |
| | | AISI 304 |
| | | 0 .. 40 °C |
| | | 10 |
| | | DIN |
| | | DN 50 |
| | | PN 6 / PN 10 |
| | | 280 |
| | | -10 .. 120 °C |
| | | 60 °C |
| | | 983.2 / ³ |
| | | 1: 235 |
| | | 2: 270 |
| | | 360 |
| | | 50 Hz |
| | | 3 x 400-415 |
| | 1: | 0.39 A |
| | 2: | 0.45 A |
| | 3: | 0.74 A |
| Cos | 1: | 0.87 |
| Cos | 2: | 0.87 |
| Cos | | 0.7 |
| | | 2 |
| | (IEC 85): | F |
| | (IEC 60529): | X4D |
| | | CONTACT |
| | | 1.30H |
| | | 24.3 |
| | | 25.5 |
| | | 0.034 ³ |
| Danish VVS No.: | | 380723342 |
| C | | RS |
| | | 8413703000 |



96402072 UPS 50-60/2 F B 50



96402072 UPS 50-60/2 F B 50

