

1 PRODNAME}



: [96280970](#)

Unilift CC

Grundfos

3

o
o
o
o
o

?10

: 10

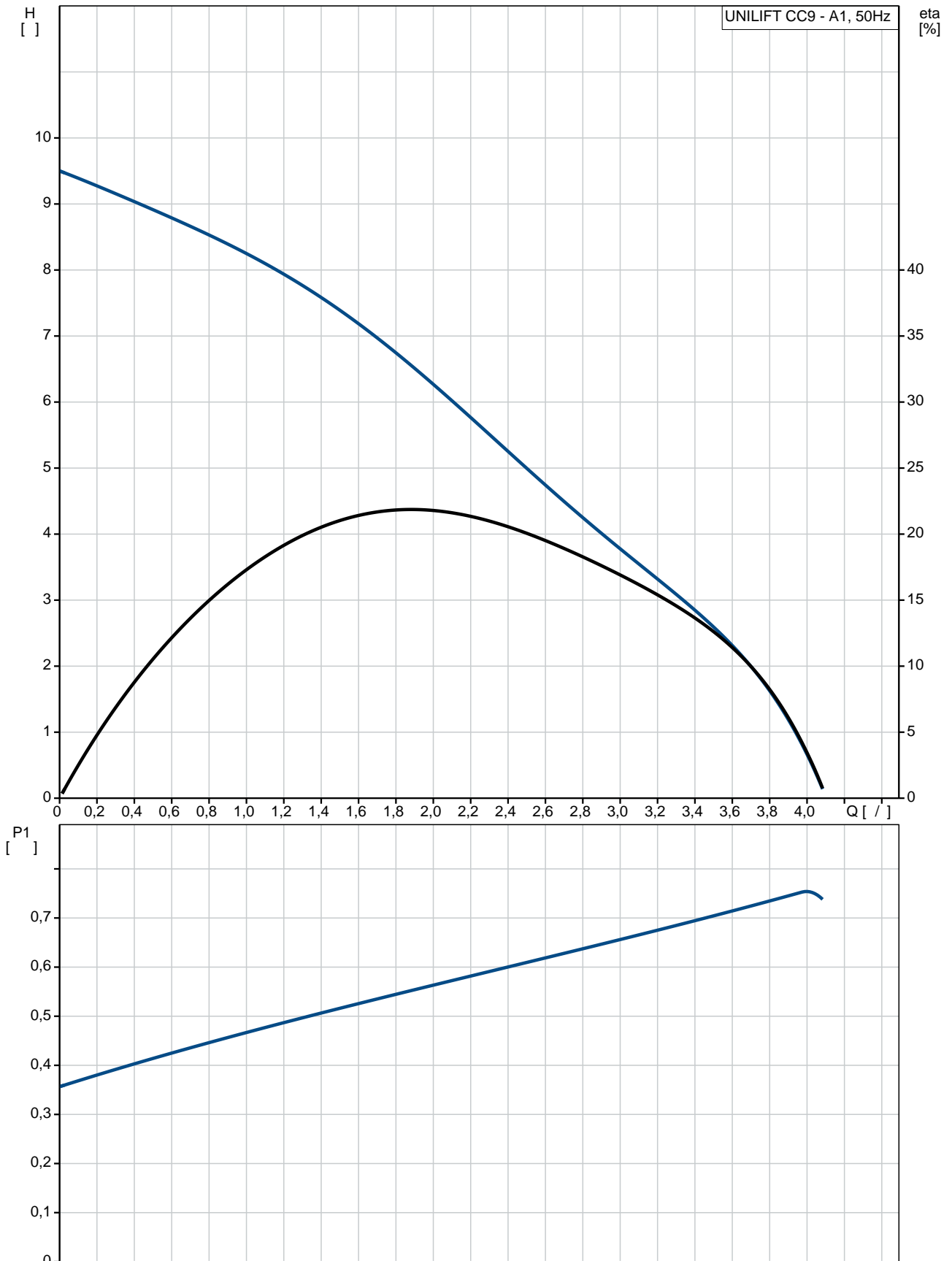
Shaft:
Motor:

PP 15 GF
 PPOm 20 GF
 Stainless steel
 EN 1.4301
 AISI 304
 Stainless steel
 EN 1.4301
 AISI 304

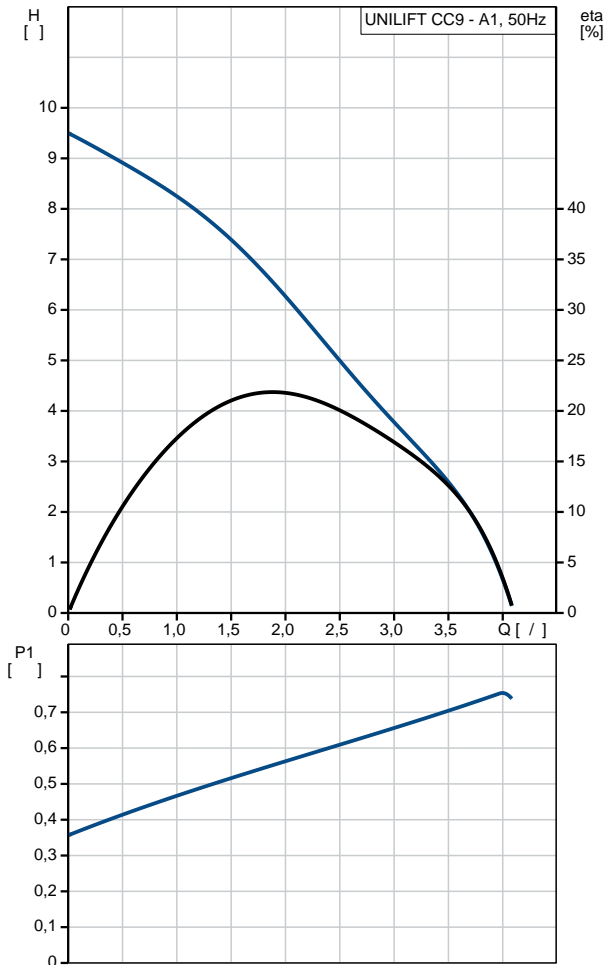
R 1 1/4
 : 10

:
:
: 0 .. 40 °C
: 998.2 / 3
:
: 50 Hz
: 1 x 220-240
: 3.5 A
- : 8 /450
(IEC 34-5): IP68
(IEC 85): B
: 10
: SCHUKO
:
: 6.79
: 7.55
: 0.017 3
Danish VVS No.: 391280391
Swedish RSK No.: 5885926
Norwegian NRF no.: 9045642
C : HU
: 8413702100

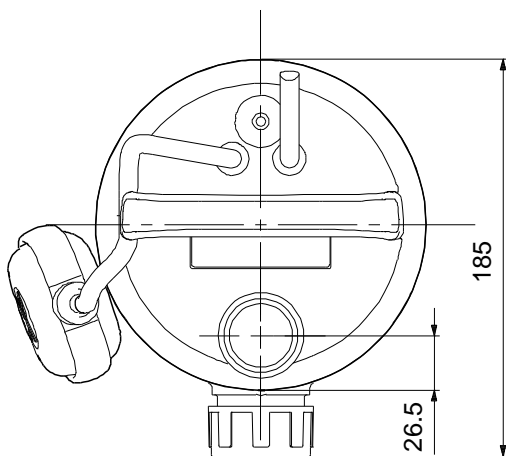
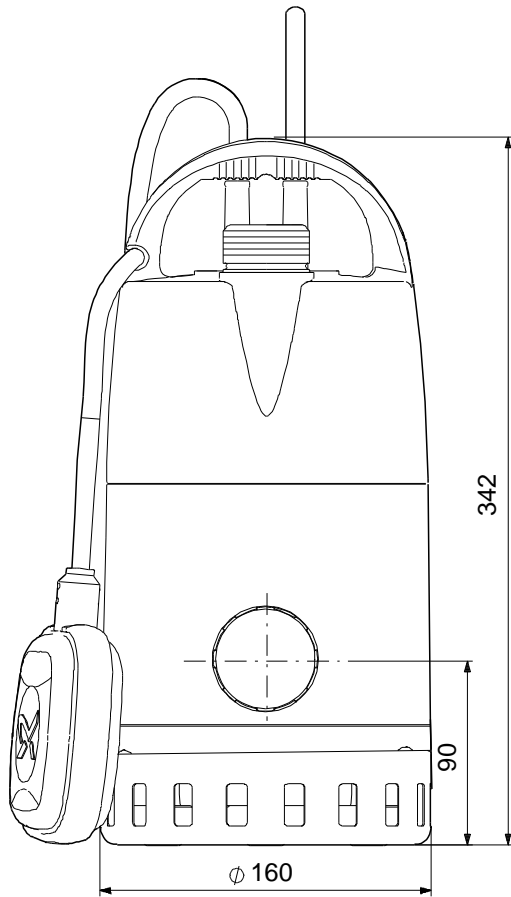
96280970 UNILIFT CC9 - A1 50



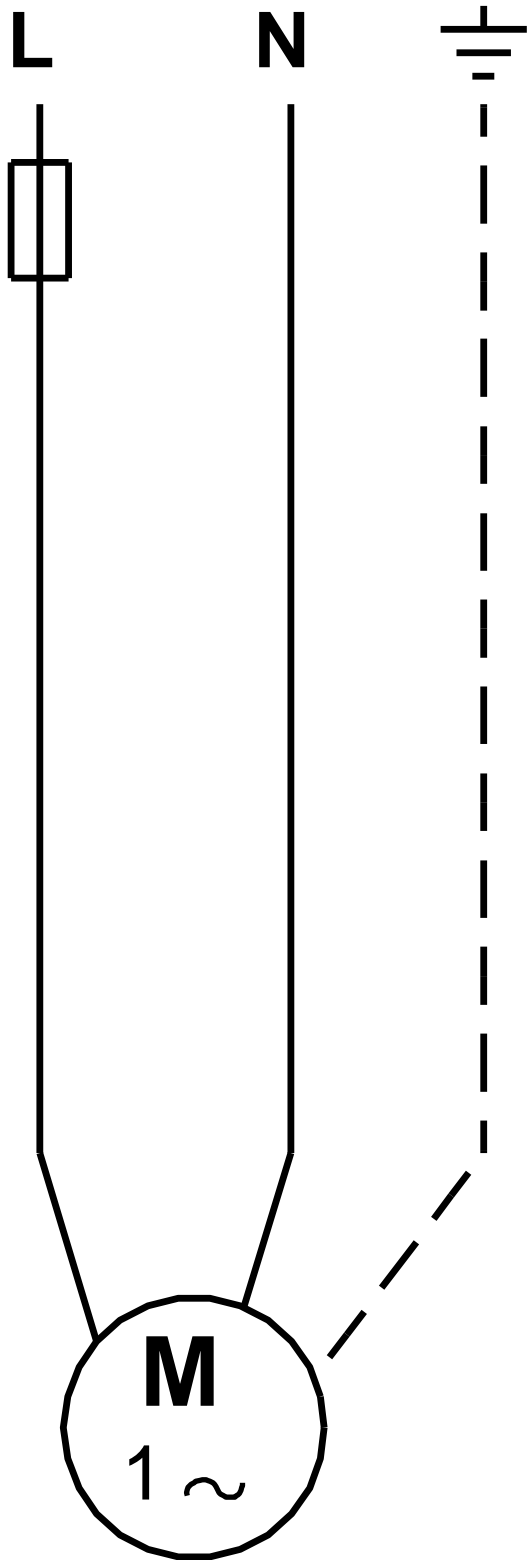
UNILIFT CC9 - A1	
96280970	
EAN	5700830761403
UER 200	
Maximum flow:	3.89 /
Ma	3.89 /
	9
	10
	PP 15 GF
	PPOm 20 GF
	Stainless steel
Shaft:	EN 1.4301
	AISI 304
Motor:	Stainless steel
Motor:	EN 1.4301
Motor:	AISI 304
	R 1 1/4
	10
	0 .. 40 °C
	998.2 / ³
	50 Hz
	1 x 220-240
	3.5 A
	8 /450
(IEC 34-5):	IP68
(IEC 85):	B
	10
	SCHUKO
	6.79
	7.55
	0.017 ³
Danish VVS No.:	391280391
Swedish RSK No.:	5885926
Norwegian NRF no.:	9045642
C	HU
	8413702100



96280970 UNILIFT CC9 - A1 50



96280970 UNILIFT CC9 - A1 50



! [], .