

1 PRODNAME}



: [96280968](#)

Unilift CC

Grundfos

3

O  
O  
O  
O  
O

?10

: 10

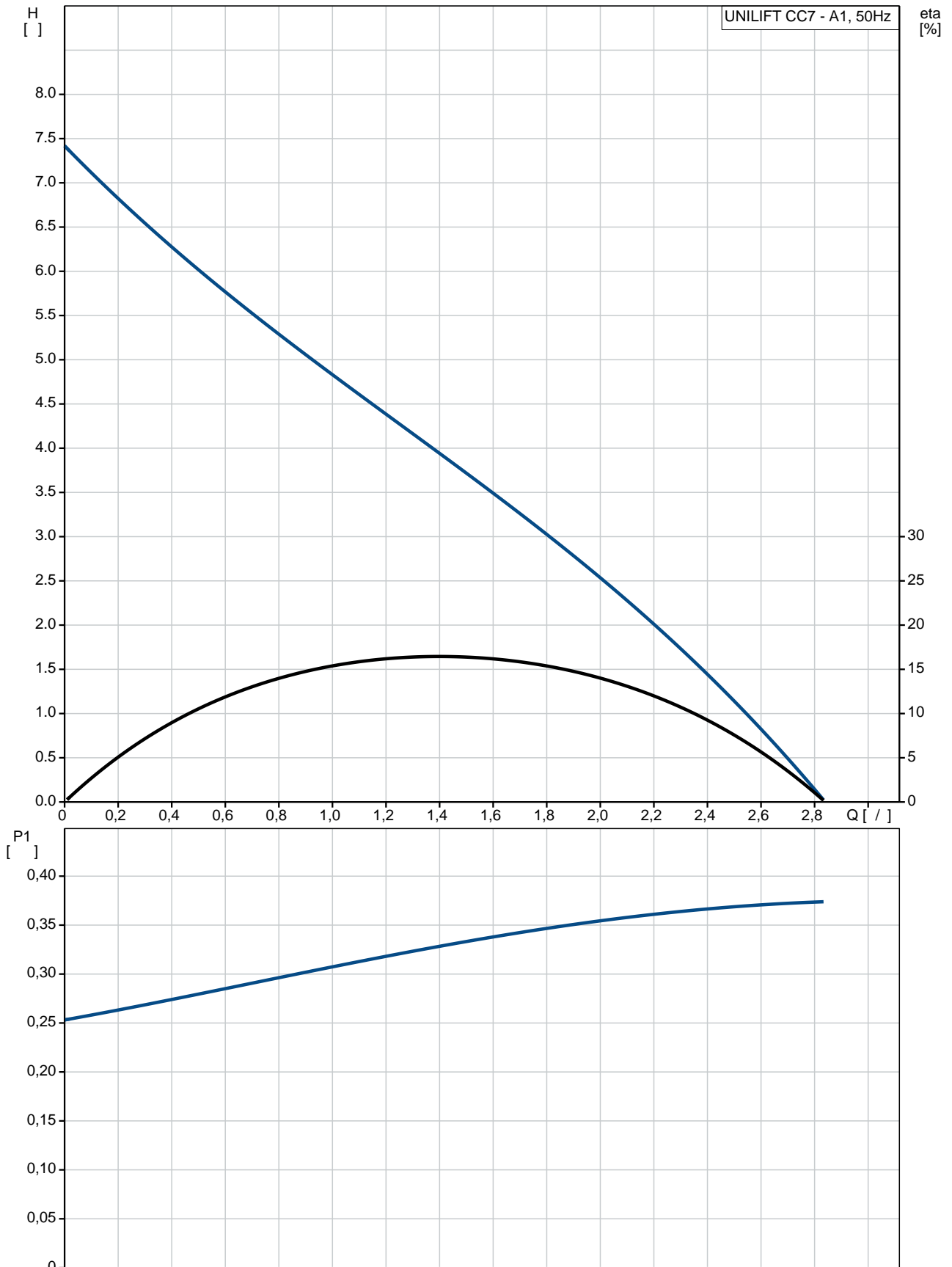
Shaft:  
Motor:

PP 15 GF  
PPOm 20 GF  
Stainless steel  
EN 1.4301  
AISI 304  
Stainless steel  
EN 1.4301  
AISI 304

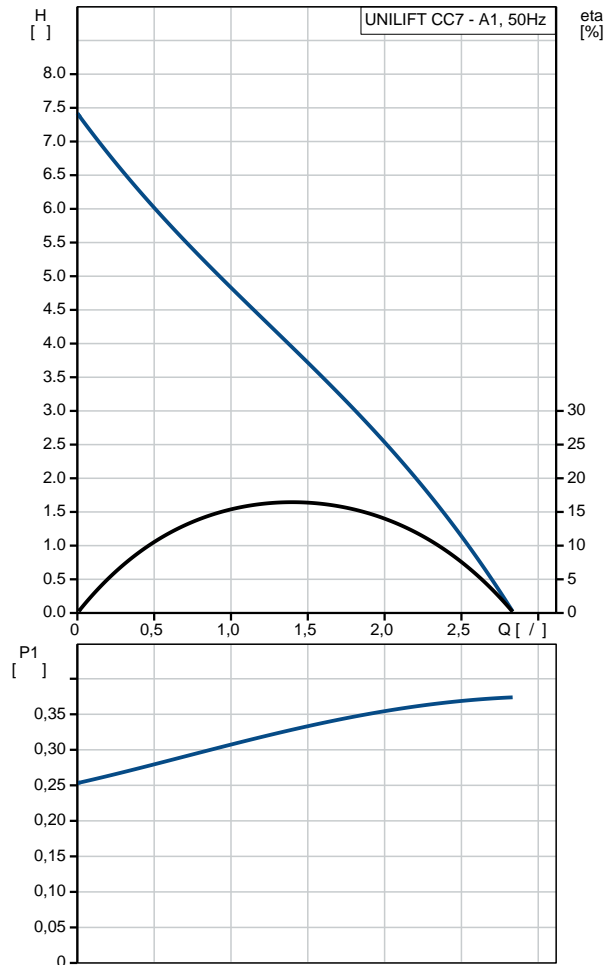
R 1 1/4  
: 10

:  
: 0 .. 40 °C  
: 998.2 / 3  
:  
: 50 Hz  
: 1 x 220-240  
: 1.8 A  
: 8 /450  
(IEC 34-5): IP68  
(IEC 85): F  
: 10  
: SCHUKO  
:  
: 5.27  
: 6.03  
: 0.017 3  
Danish VVS No.: 391280371  
Swedish RSK No.: 5885925  
Norwegian NRF no.: 9045639  
C : HU  
: 8413702100

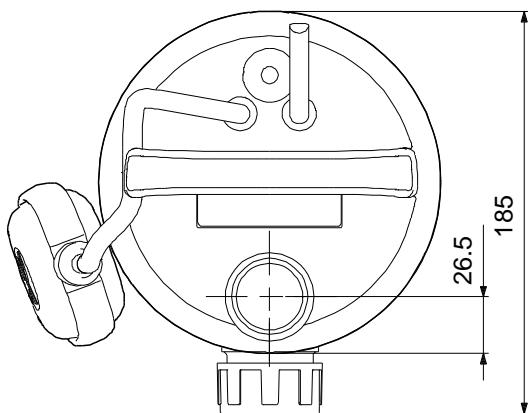
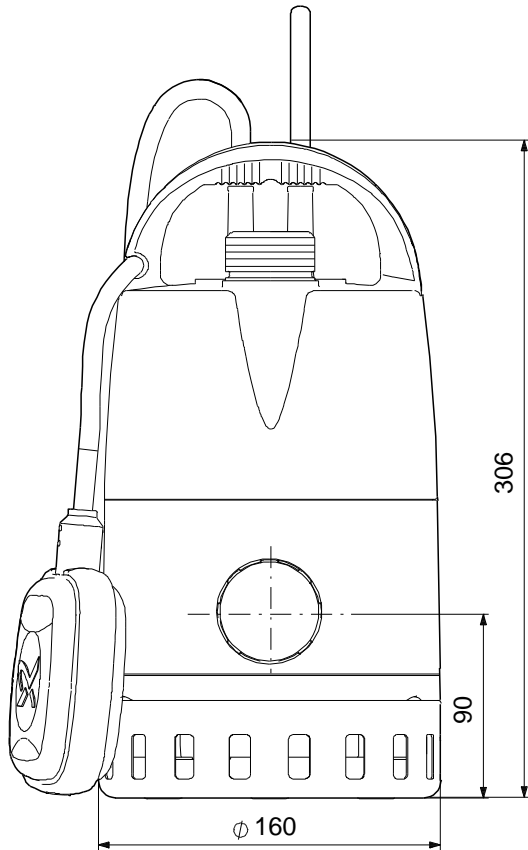
## 96280968 UNILIFT CC7 - A1 50



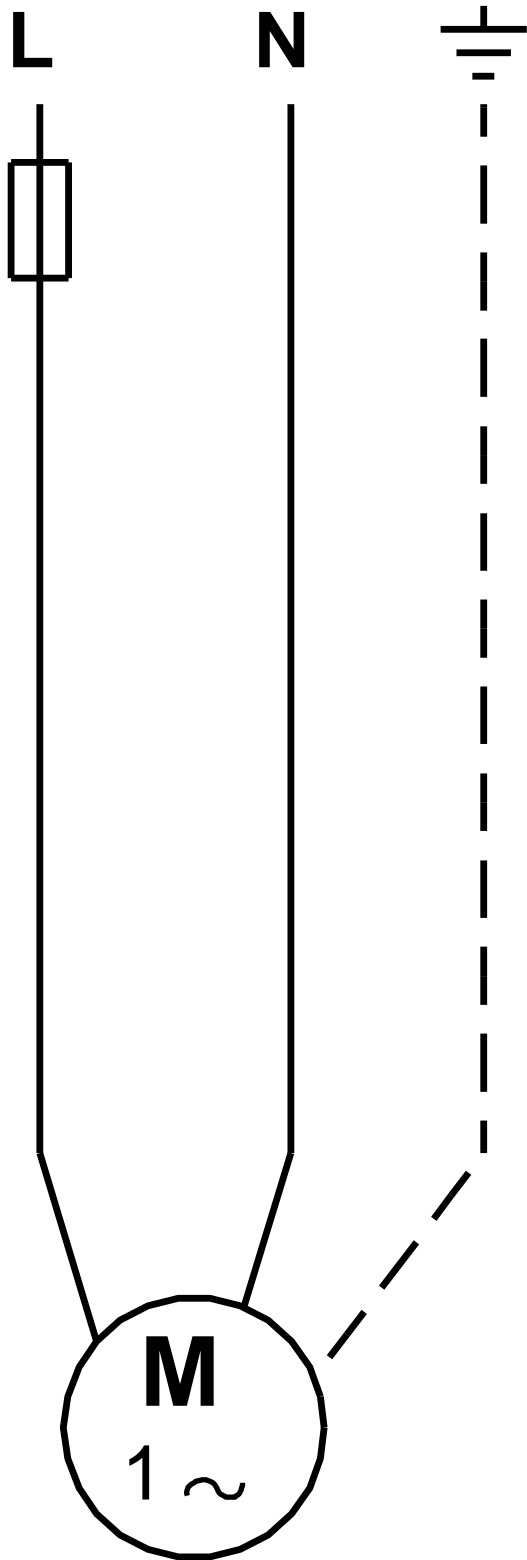
	UNILIFT CC7 - A1
	96280968
EAN	5700830761380
	UER 155
Maximum flow:	2.78 /
Ma	2.78 /
	7
	10
	PP 15 GF
	PPOm 20 GF
	Stainless steel
Shaft:	EN 1.4301
	AISI 304
Motor:	Stainless steel
Motor:	EN 1.4301
Motor:	AISI 304
	R 1 1/4
	10
	0 .. 40 °C
	998.2 / <sup>3</sup>
	50 Hz
	1 x 220-240
	1.8 A
	8 /450
(IEC 34-5):	IP68
(IEC 85):	F
	10
	SCHUKO
	5.27
	6.03
	0.017 <sup>3</sup>
Danish VVS No.:	391280371
Swedish RSK No.:	5885925
Norwegian NRF no.:	9045639
C	HU
	8413702100



## 96280968 UNILIFT CC7 - A1 50



**96280968 UNILIFT CC7 - A1 50**



! [ ], .