

1 UNILIFT CC7 - M1



: [96280967](#)

Unilift CC

Grundfos

3

o
o
o
o
o

?10

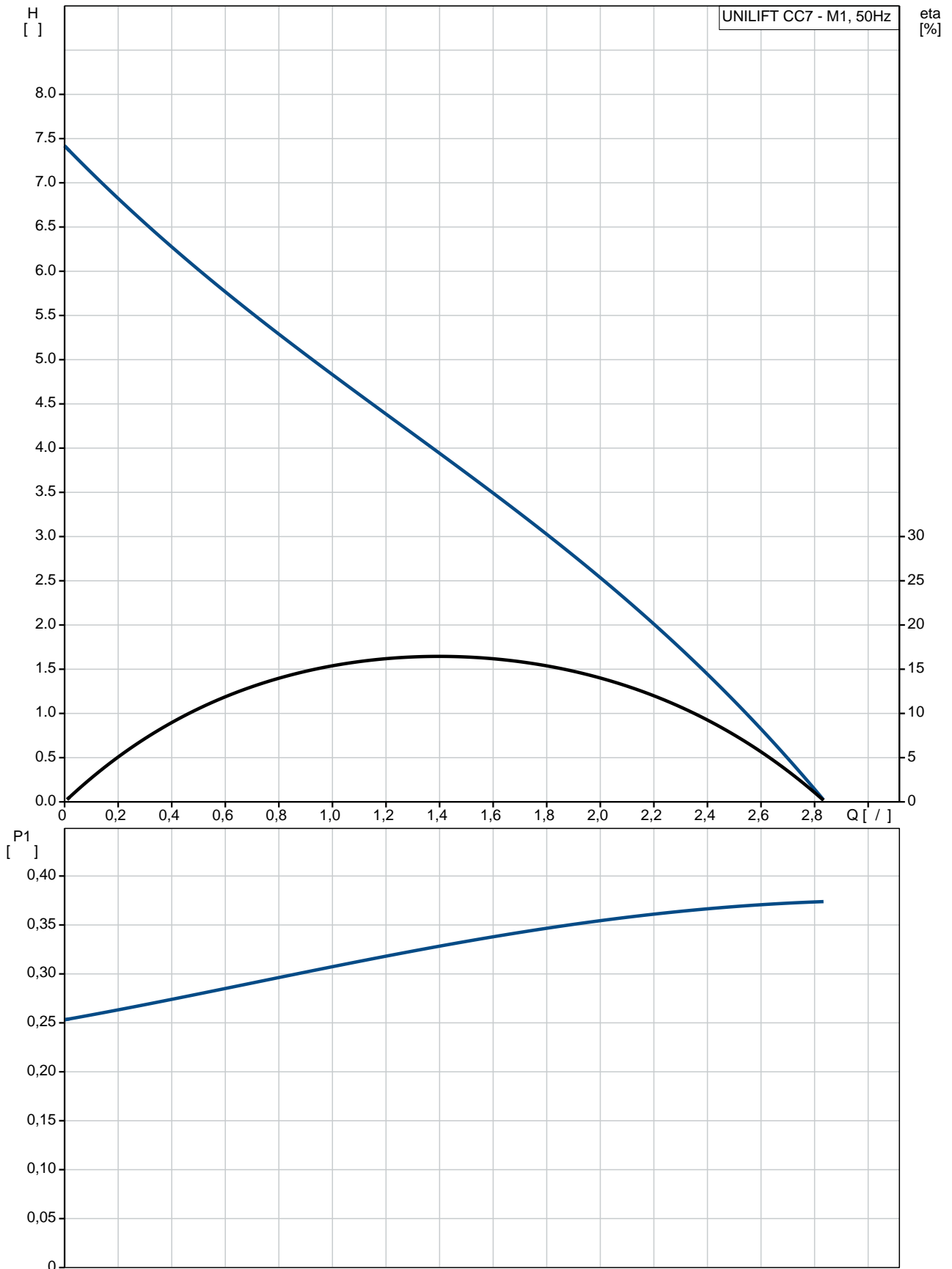
: 10

Shaft:

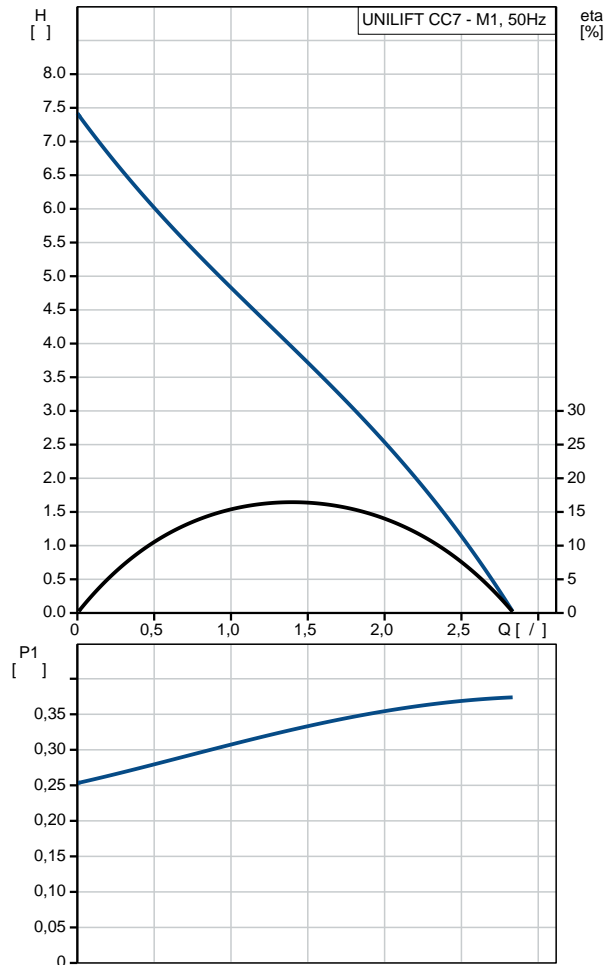
Motor:

PP 15 GF
 PPOm 20 GF
 Stainless steel
 EN 1.4301
 AISI 304
 Stainless steel
 EN 1.4301

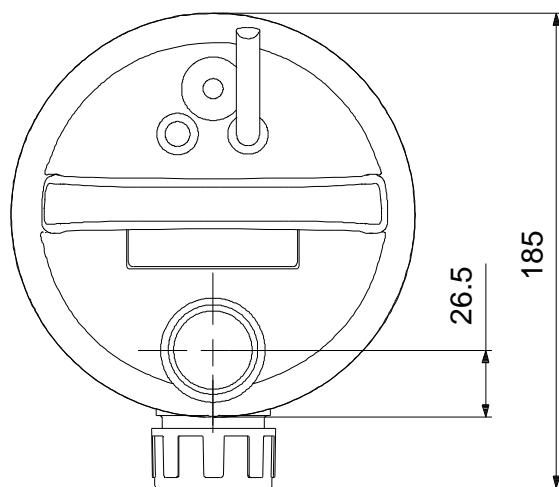
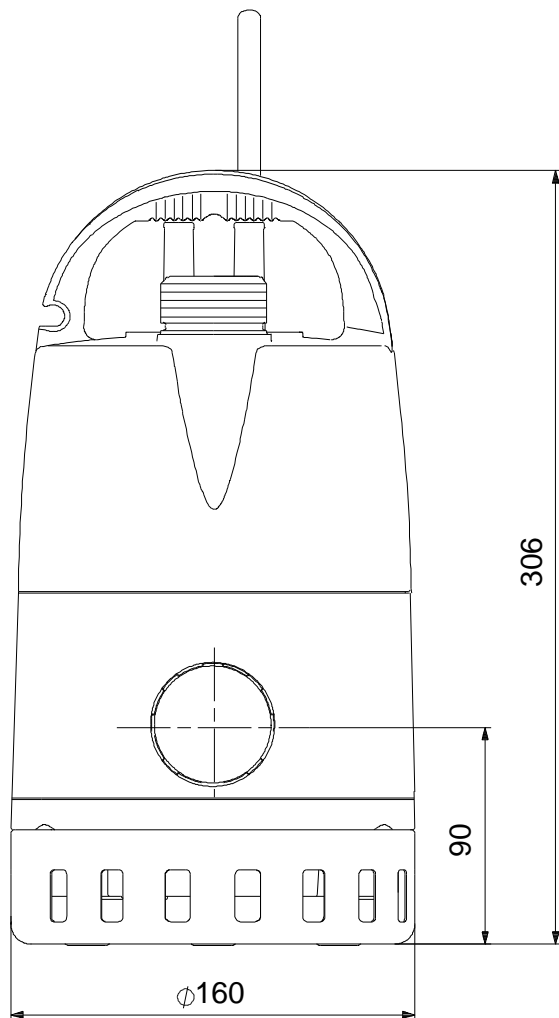
96280967 UNILIFT CC7 - M1 50



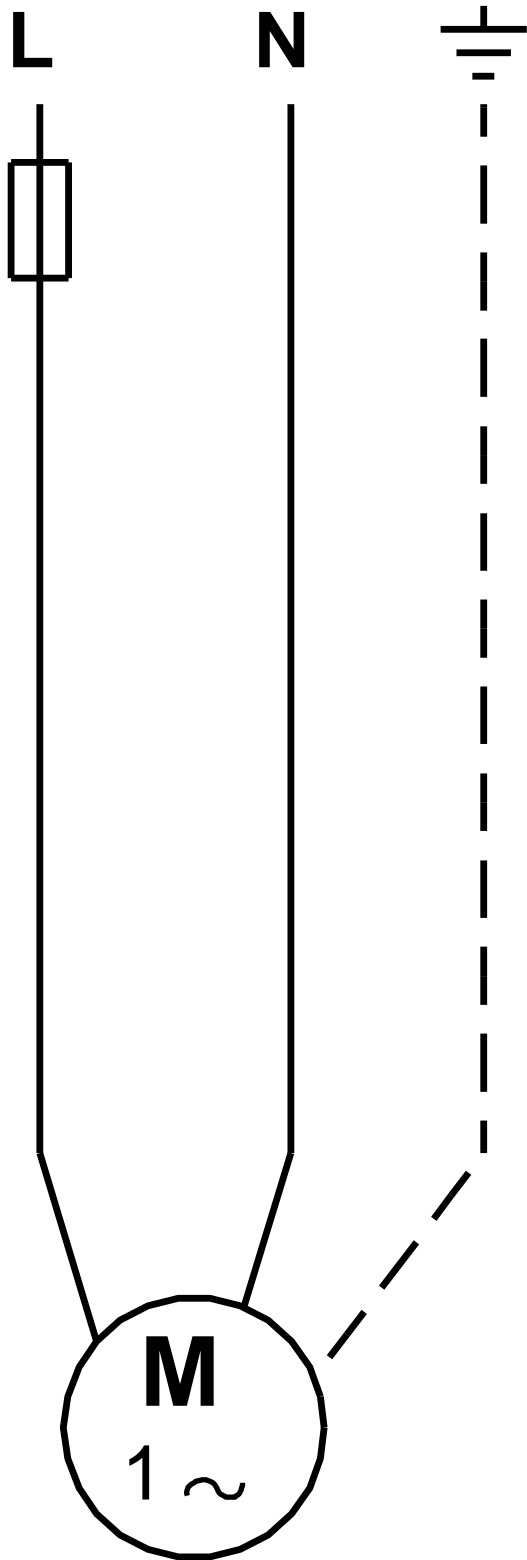
UNILIFT CC7 - M1	
96280967	
EAN	5700830761373
UER 148	
Maximum flow:	2.78 /
Ma	2.78 /
7	
10	
PP 15 GF	
PPOm 20 GF	
Stainless steel	
Shaft:	EN 1.4301
AISI 304	
Motor:	Stainless steel
Motor:	EN 1.4301
Motor:	AISI 304
R 1 1/4	
10	
0 .. 40 °C	
998.2 / ³	
50 Hz	
1 x 220-240	
1.8 A	
8 /450	
(IEC 34-5):	IP68
(IEC 85):	F
10	
SCHUKO	
5	
5.76	
0.017 ³	
Danish VVS No.:	391280171
Swedish RSK No.:	5885922
Finnish LVI No.:	4822529
Norwegian NRF no.:	9045638
C	HU
8413702100	



96280967 UNILIFT CC7 - M1 50



96280967 UNILIFT CC7 - M1 50



! [], .