

1 PRODNAME}



: [96280966](#)

Unilift CC

Grundfos

3

o  
o  
o  
o  
o

?10

: 10

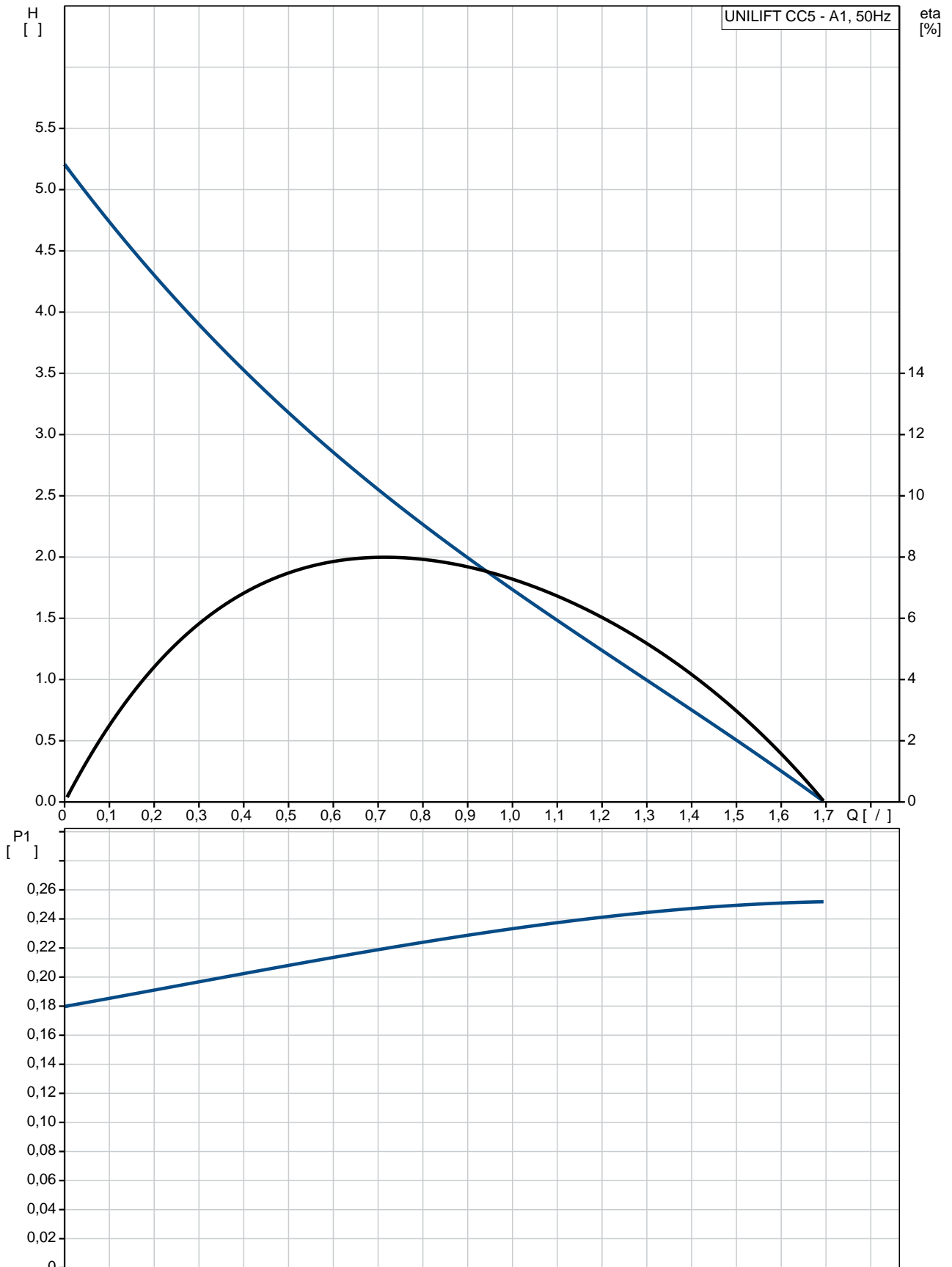
Shaft:  
Motor:

PP 15 GF  
PPOm 20 GF  
Stainless steel  
EN 1.4301  
AISI 304  
Stainless steel  
EN 1.4301  
AISI 304

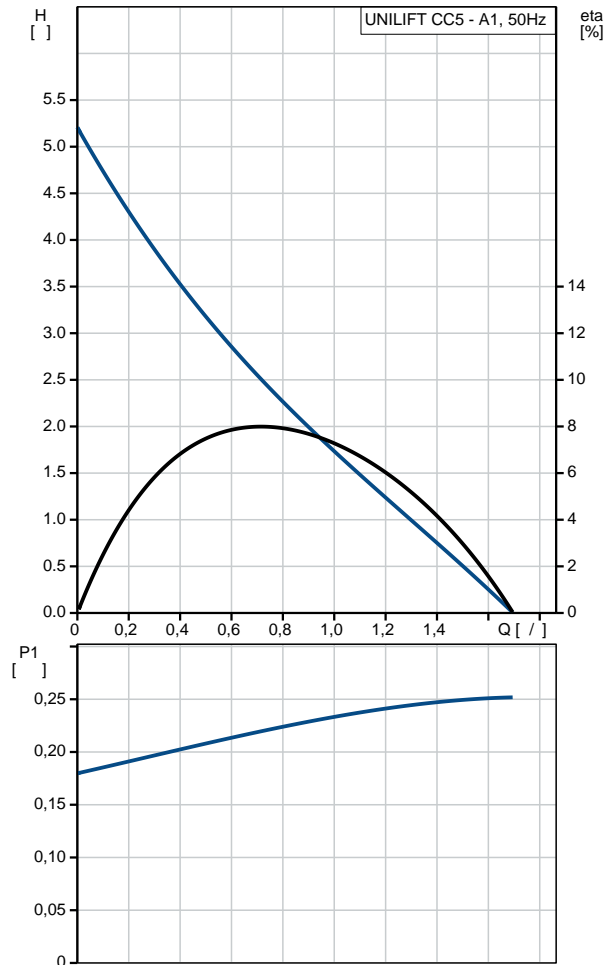
R 1 1/4  
: 10

:  
: 0 .. 40 °C  
: 998.2 / 3  
:  
: 50 Hz  
: 1 x 220-240  
: 0.98 A  
: 4 /450  
(IEC 34-5): IP68  
(IEC 85): B  
: 5  
: SCHUKO  
:  
: 4.51  
: 5.27  
: 0.017 3  
Danish VVS No.: 391280351  
Swedish RSK No.: 5885924  
Norwegian NRF no.: 9045634  
C : HU  
: 8413702100

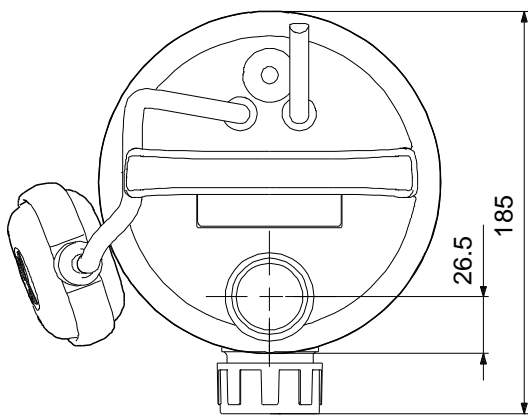
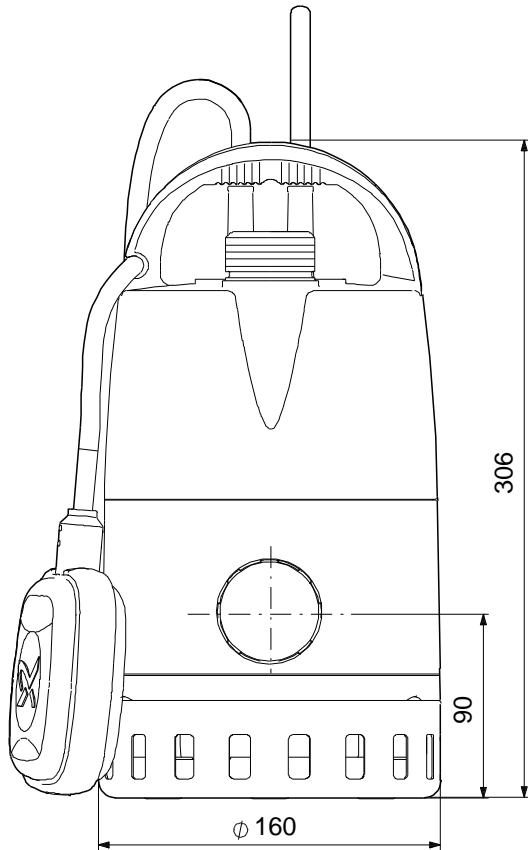
## 96280966 UNILIFT CC5 - A1 50



UNILIFT CC5 - A1	
96280966	
EAN	5700830761366
UER 133	
Maximum flow:	1.67 /
Ma	1.67 /
	5
	10
	PP 15 GF
	PPOm 20 GF
	Stainless steel
Shaft:	EN 1.4301
	AISI 304
Motor:	Stainless steel
Motor:	EN 1.4301
Motor:	AISI 304
	R 1 1/4
	10
	0 .. 40 °C
	998.2 / <sup>3</sup>
	50 Hz
	1 x 220-240
	0.98 A
	4 /450
(IEC 34-5):	IP68
(IEC 85):	B
	5
	SCHUKO
	4.51
	5.27
	0.017 <sup>3</sup>
Danish VVS No.:	391280351
Swedish RSK No.:	5885924
Norwegian NRF no.:	9045634
C	HU
	8413702100

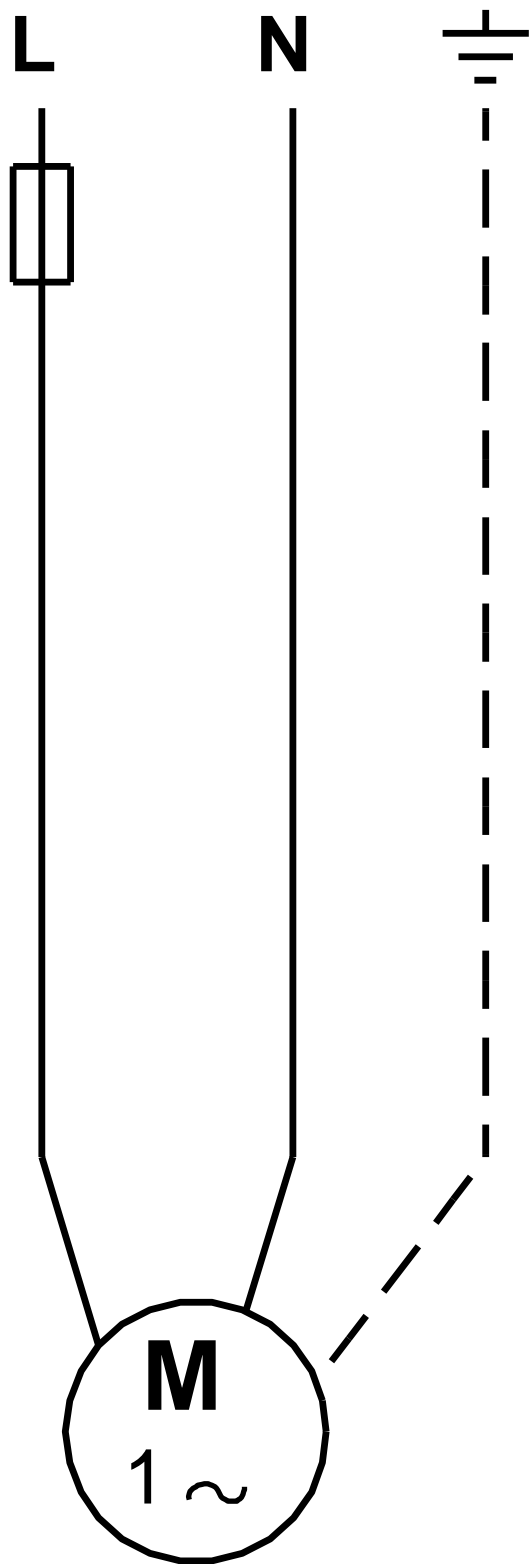


## 96280966 UNILIFT CC5 - A1 50



! [ ],

**96280966 UNILIFT CC5 - A1 50**



! [ ], .