

1 UNILIFT CC5 - M1



: [96280965](#)

Unilift CC

Grundfos

3

o
o
o
o
o

?10

: 10

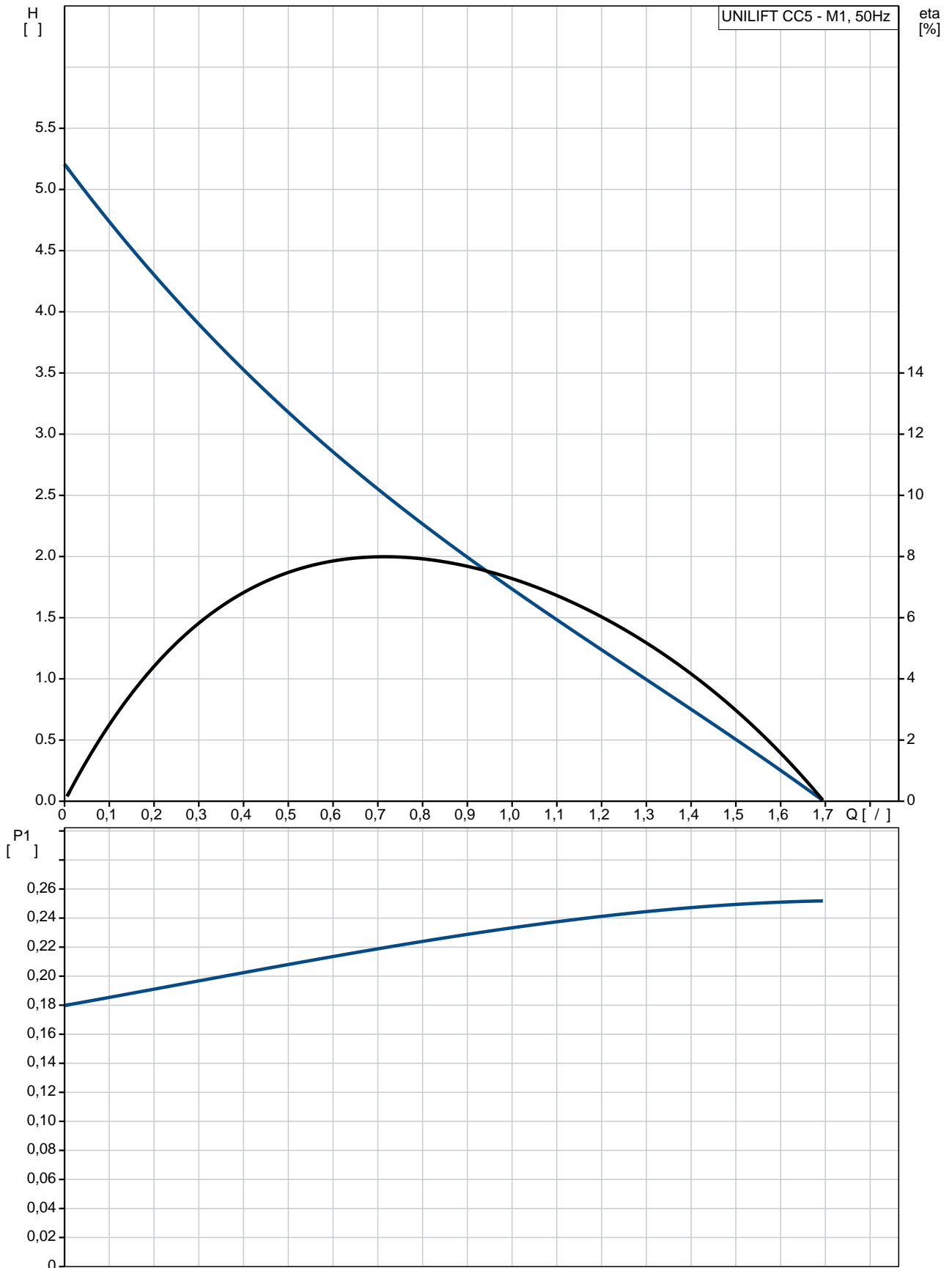
Shaft:

Motor:

PP 15 GF
 PPOm 20 GF
 Stainless steel
 EN 1.4301
 AISI 304
 Stainless steel
 EN 1.4301

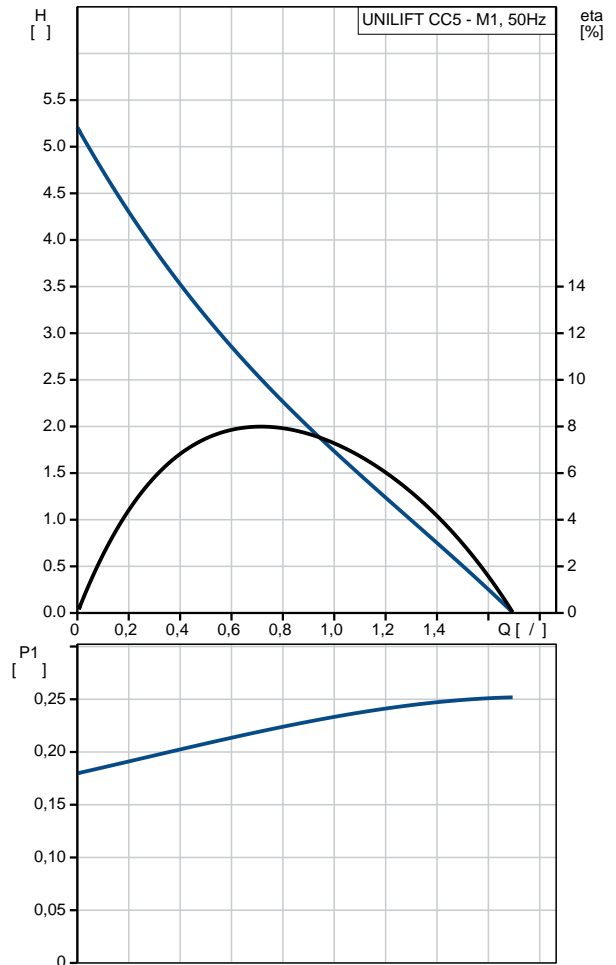
AISI 304
R 1 1/4
: 10
: 0 .. 40 °C
998.2 / ³
: 50 Hz
: 1 x 220-240
: 0.98 A
: 4 /450
(IEC 34-5): IP68
(IEC 85): B
: 5
: SCHUKO
: 4.32
: 5.08
: 0.017 ³
Danish VVS No.: 391280151
Swedish RSK No.: 5885921
Finnish LVI No.: 4822527
Norwegian NRF no.: 9045616
C : HU
: 8413702100

96280965 UNILIFT CC5 - M1 50

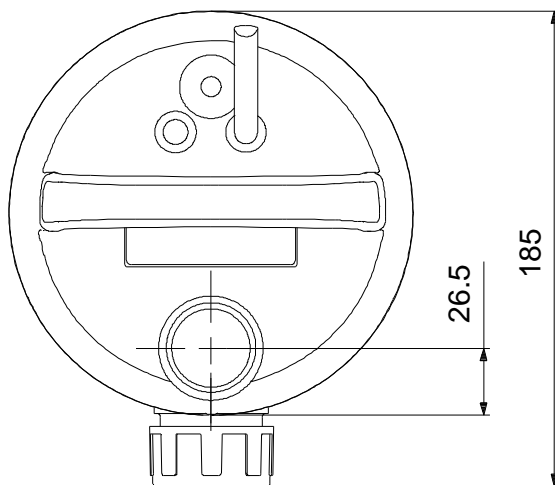
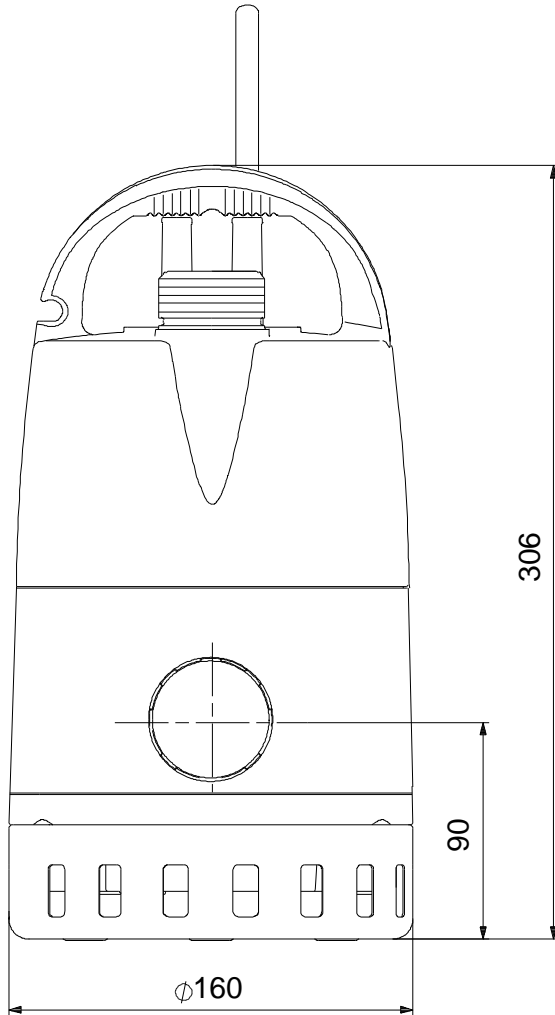


	UNILIFT CC5 - M1
	96280965
EAN	5700830761359
	UER 125
Maximum flow:	1.67 /
Ma	1.67 /
	5
	10
	PP 15 GF
	PPOm 20 GF
	Stainless steel
Shaft:	EN 1.4301
	AISI 304
Motor:	Stainless steel
Motor:	EN 1.4301
Motor:	AISI 304

	R 1 1/4
	10
	0 .. 40 °C
	998.2 / ³
	50 Hz
	1 x 220-240
	0.98 A
	4 /450
(IEC 34-5):	IP68
(IEC 85):	B
	5
	SCHUKO
	4.32
	5.08
	0.017 ³
Danish VVS No.:	391280151
Swedish RSK No.:	5885921
Finnish LVI No.:	4822527
Norwegian NRF no.:	9045616
C	HU
	8413702100

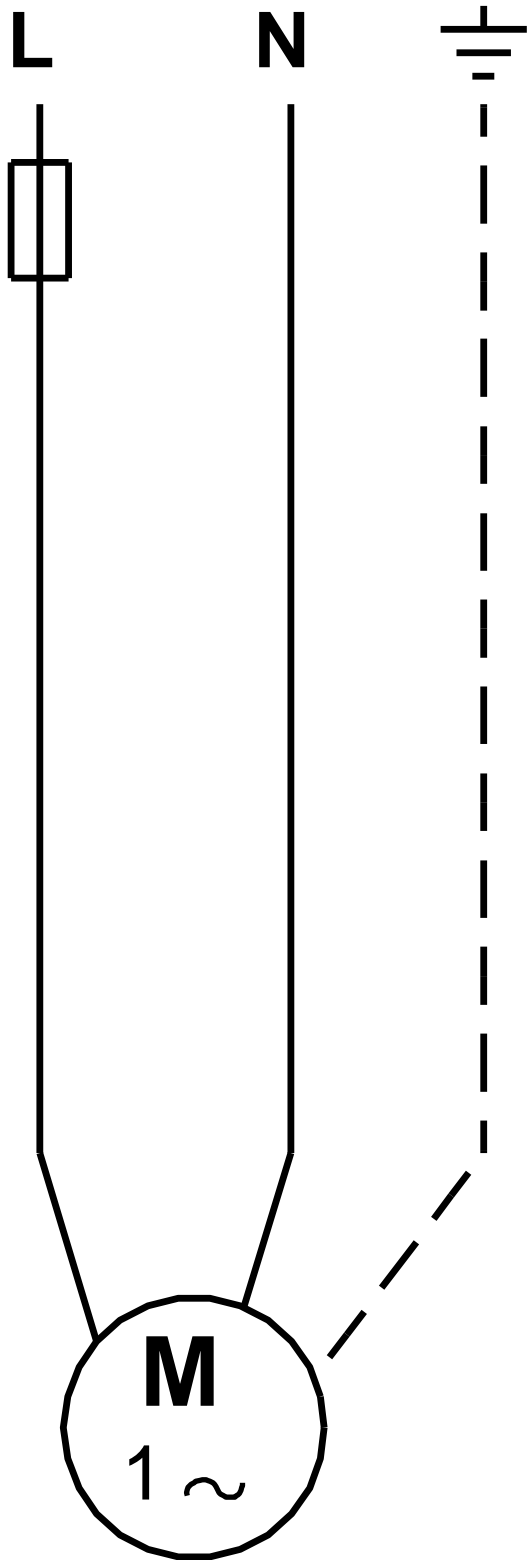


96280965 UNILIFT CC5 - M1 50



! : [], .

96280965 UNILIFT CC5 - M1 50



! [], .