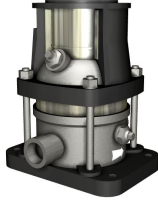


1 CRT 2-3 A-P-A-E-AUUE



: 96100302

" - "

EN 12756.

/ PJE.

- 3-

: -20 .. 120 °C
 : 20 °C
 : 998.2 / ³

: 2900 /

: 2.5 ³/_l
 : 18.6

: AUUE
 : CE,TR
 - : ISO9906:2012 3B

ASTM B 265

ASTM B 265
 NONE

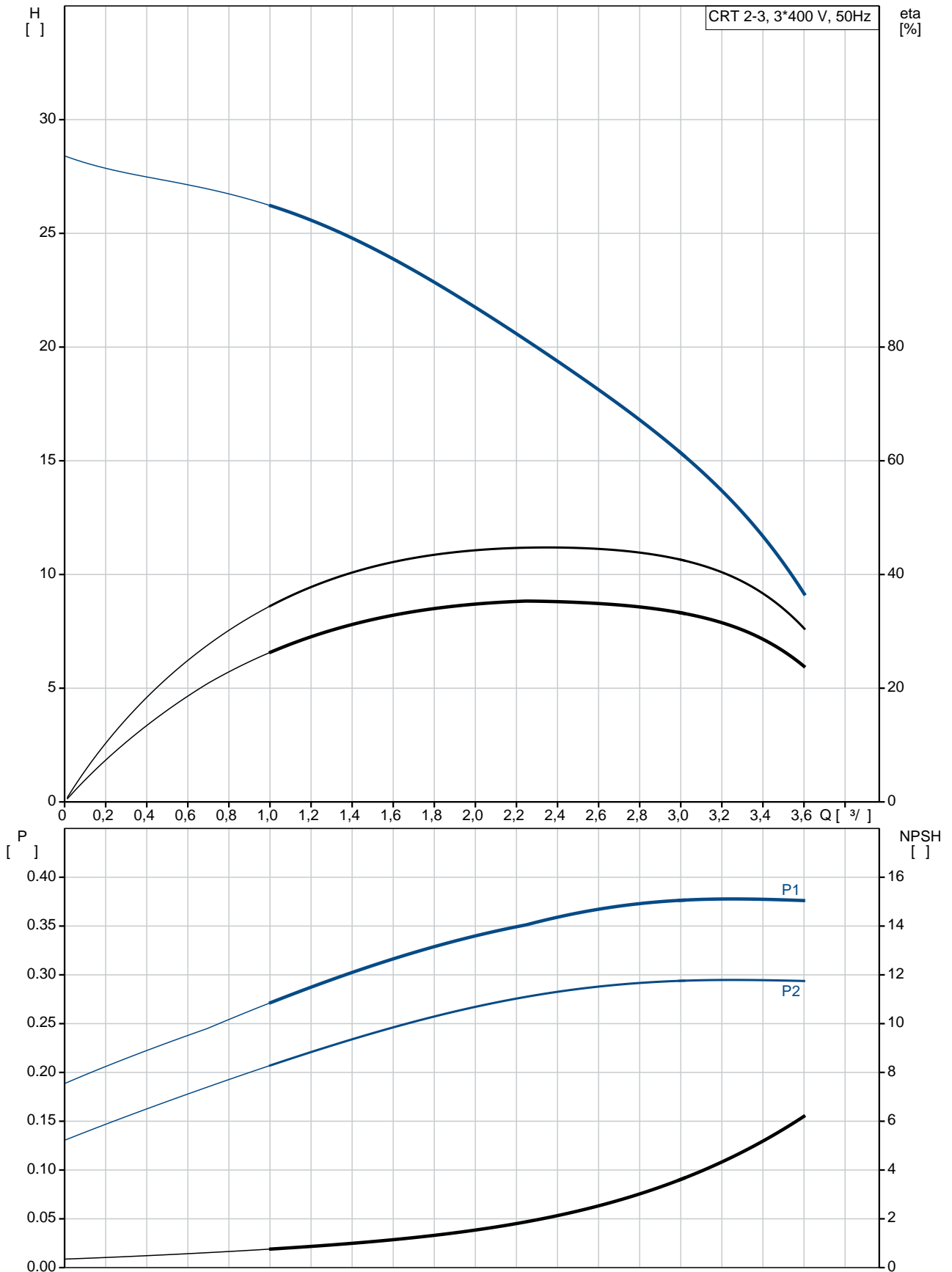
Maximum ambient temperature: 40 °C

- : 25 / 120 °C
 25 / -20 °C

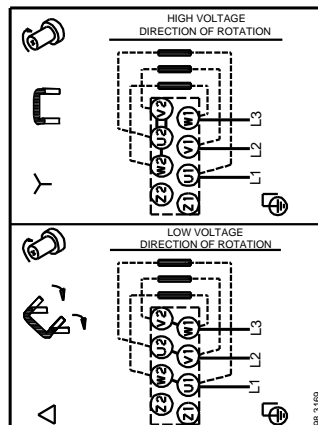
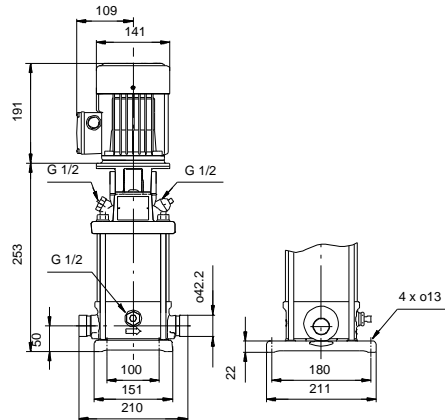
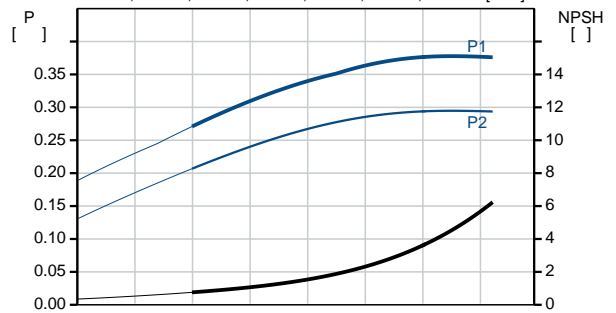
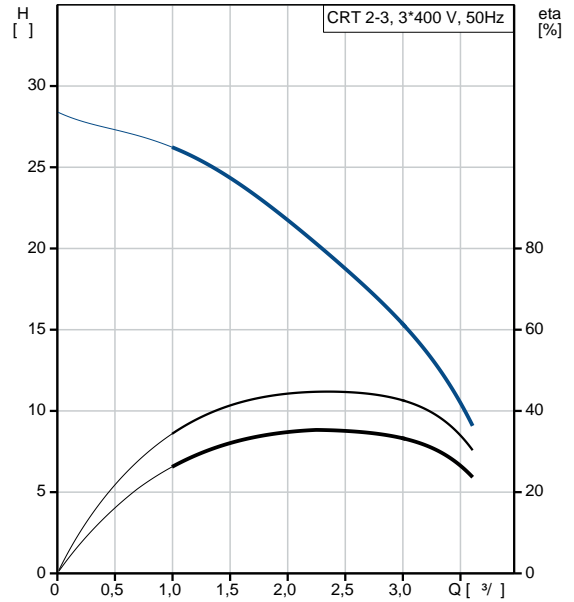
: PJE
 : 42,4 mm
 : FT85

: 71A
 - : IE3
 - P2: 0.37
(2), : 0.37
 0.37
 : 50 Hz
 : 3 x 220-240D/380-415Y
 : 1.74/1.00 A
 : 490-530 %
Cos - : 0.80-0.70
 : 2850-2880 /
 : IE3 73,8%
 : 73.8 %
 3/4 : 79.0 %
 1/2 : 75.5 %
 : 2
 (IEC 34-5): 55 Dust/Jetting
 (IEC 85): F
 : 85805102
 :
 MEI : 0.7
 : 15
 : 20
C : DK
 : 8413707500

96100302 CRT 2-3 A-P-A-E-AUUE 50

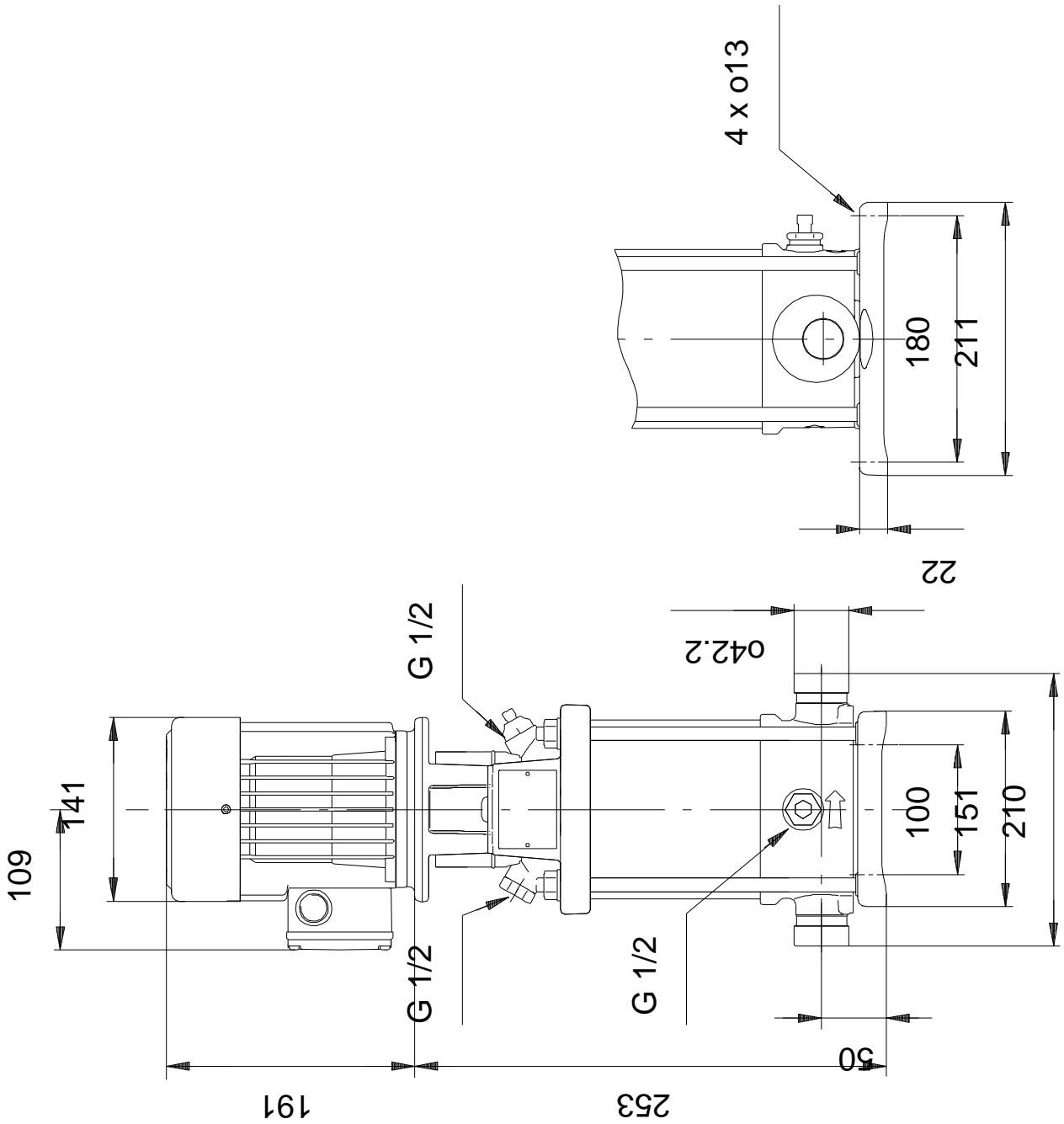


| | |
|------------------------------|-----------------------|
| | CRT 2-3 |
| | A-P-A-E-AUUE |
| | 96100302 |
| EAN | 5700395842500 |
| | 2900 / |
| | 2.5 ³ / |
| | 18.6 |
| Maximum head: | 27.9 |
| | 27.9 |
| | 3 |
| | 3 |
| | AUUE |
| | CE,TR |
| | ISO9906:2012 3B |
| | A |
| | A |
| | ASTM B 265 |
| | ASTM B 265 |
| | A |
| | E |
| | NONE |
| Maximum ambient temperature: | 40 °C |
| | - : 25 / 120 °C |
| | - : 25 / -20 °C |
| | PJE |
| | 42,4 mm |
| | FT85 |
| | P |
| | -20 .. 120 °C |
| | 20 °C |
| | 998.2 / ³ |
| | 71A |
| | IE3 |
| | - P2: 0.37 |
| (2), | : 0.37 |
| (2), | : 0.37 |
| | 50 Hz |
| | 3 x 220-240D/380-415Y |
| | 1.74/1.00 A |
| | 490-530 % |
| Cos | : 0.80-0.70 |
| | 2850-2880 / |
| | IE3 73,8% |
| | 73.8 % |

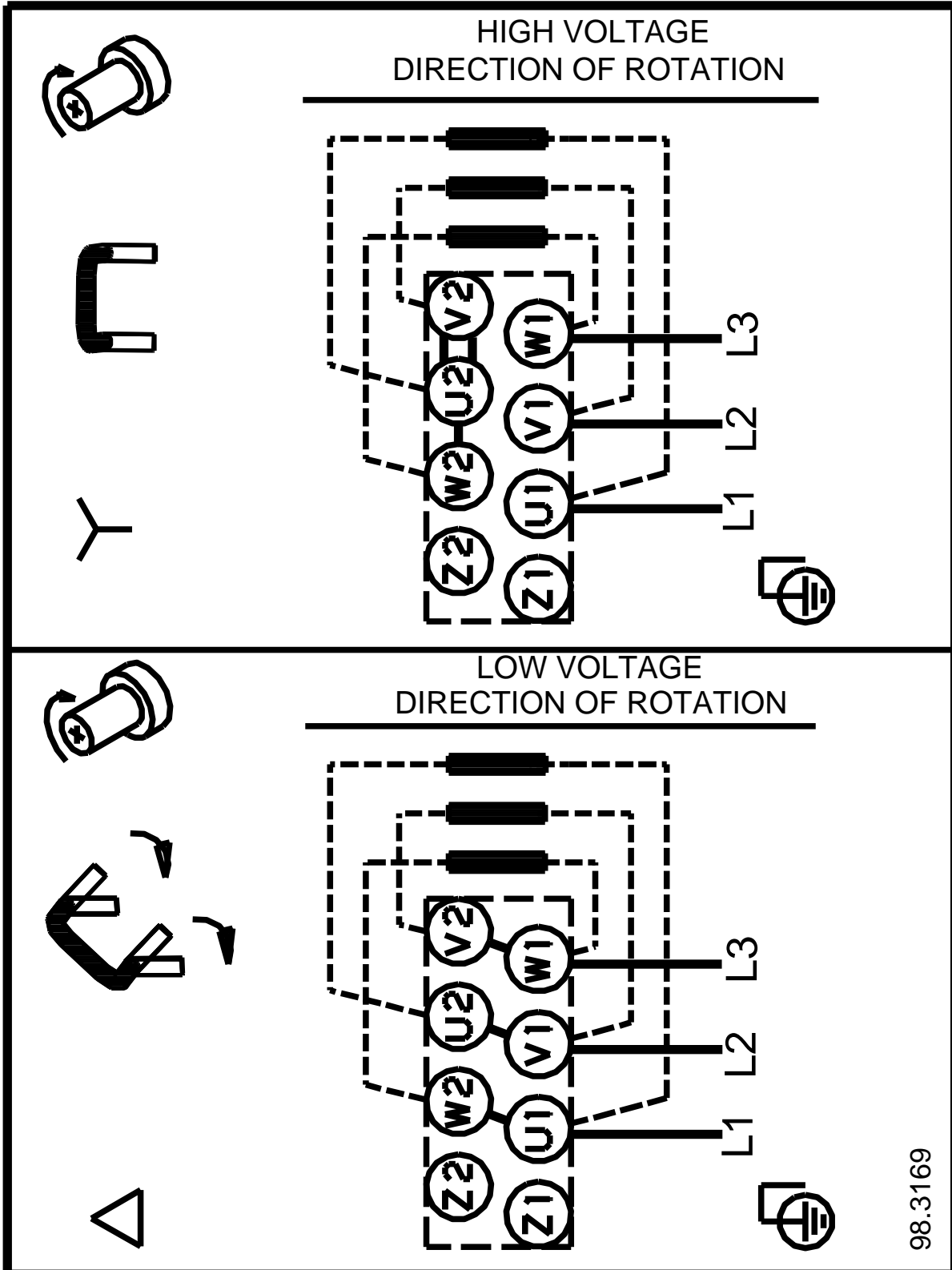


| | | |
|-------|-------------|-----------------|
| | 3/4 | 79.0 % |
| 1/2 | | 75.5 % |
| | | 2 |
| | (IEC 34-5): | 55 Dust/Jetting |
| | (IEC 85): | F |
| | | 85805102 |
| MEI : | | 0.7 |
| | | 15 |
| | | 20 |
| C : | | DK |
| | | 8413707500 |

96100302 CRT 2-3 A-P-A-E-AUUE 50



96100302 CRT 2-3 A-P-A-E-AUUE 50



98.3169