

1 TPE 32-380/2 A-F-A-BQQE



: 96096293

12756. Pipework connection is via PN 16 DIN flanges (EN 1092-2 and ISO 7005-2).

EN

: -25 .. 120 °C
: 20 °C
998.2 / ³

: 2910 /

: 18.9 ³/
: 31.38
: 169
: BQQE
- : ISO9906:2012 3B

c : EN-JL1040
: A48-40 B
: EN/DIN: EN-JL1030
: AISI/ASTM: A48-30 B

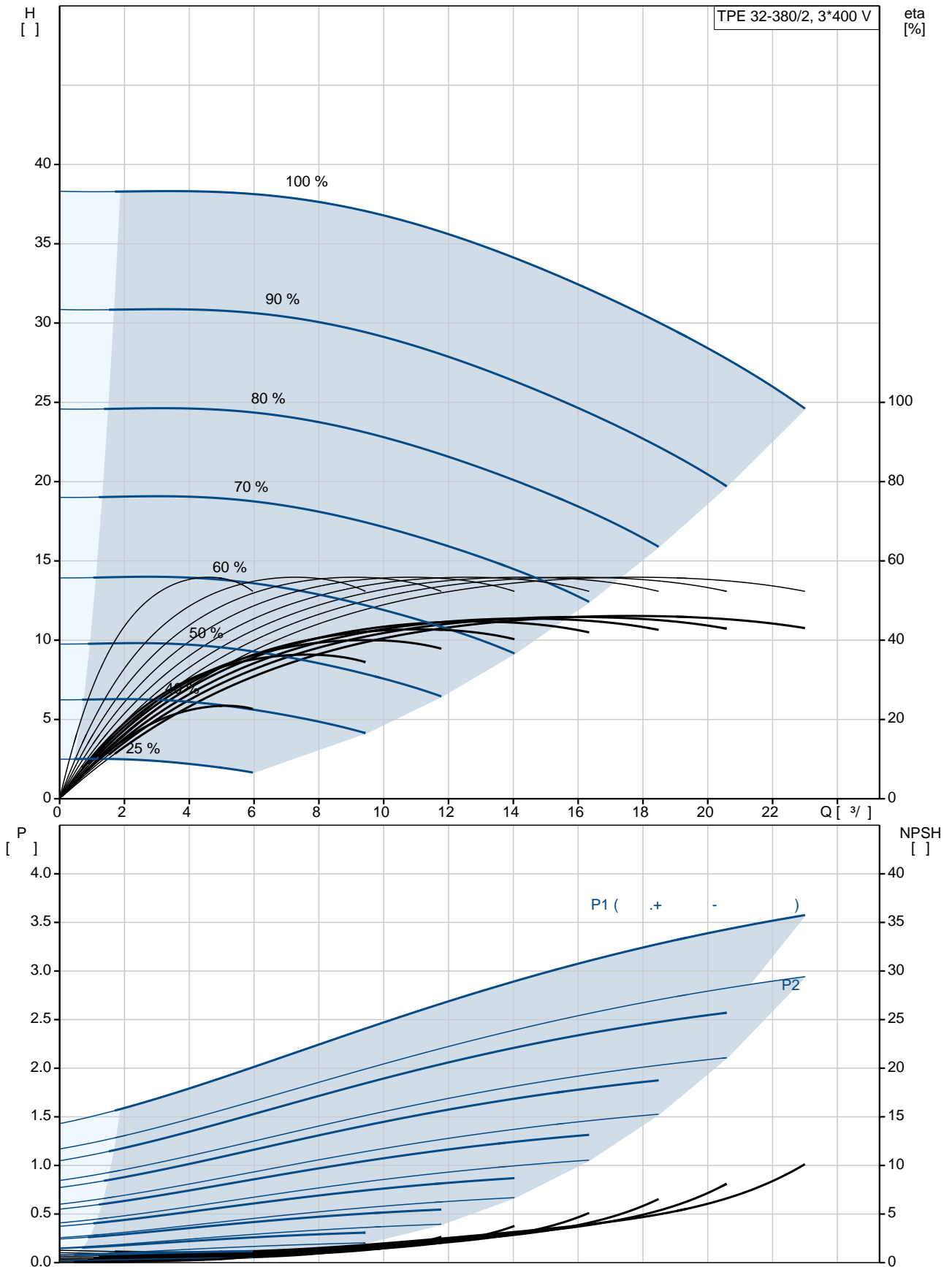
: -20 .. 40 °C

: 16
: DIN
: DN 32
: PN 16
: 340

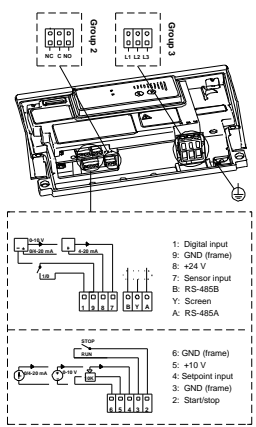
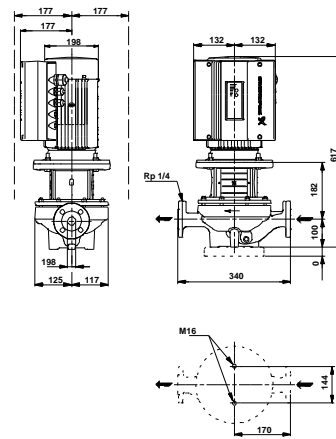
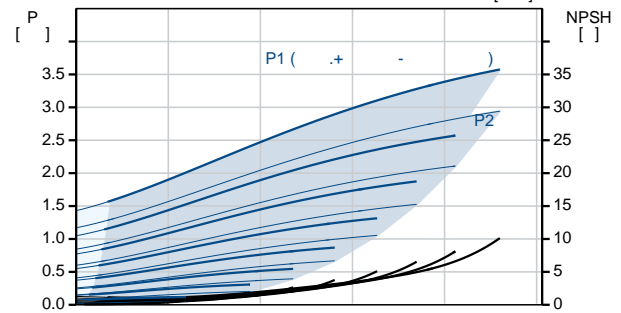
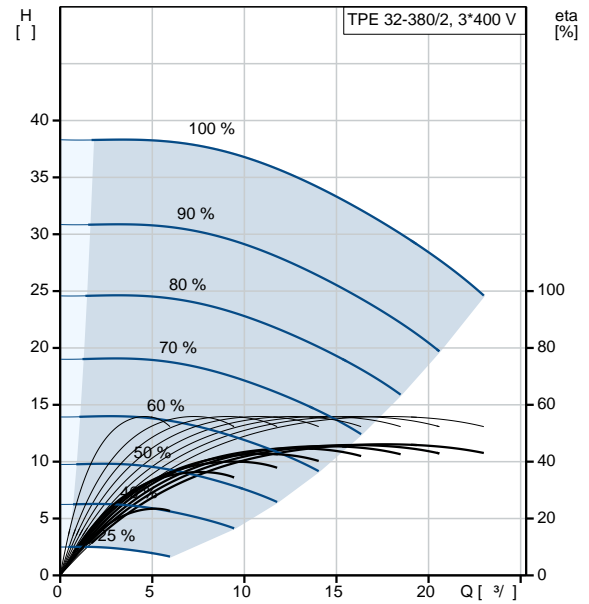
: 100LC

- : IE3
- P2: 3
: 50 Hz
: 3 x 380-480
: 6.20-5.00 A
Cos - : 0.94-0.92
: 360-3490 /
: IE3 87,1% : 87.1 %
: 2
(IEC 34-5): IP55
(IEC 85): F
: 87761013
:
(): 65
(): 79
: 0.39³
Danish VVS No.: 382011380
, MEI : 0.70

96096293 TPE 32-380/2 A-F-A-BQQE 50

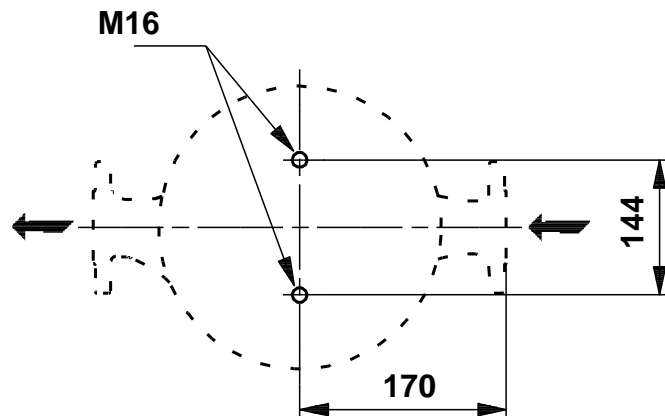
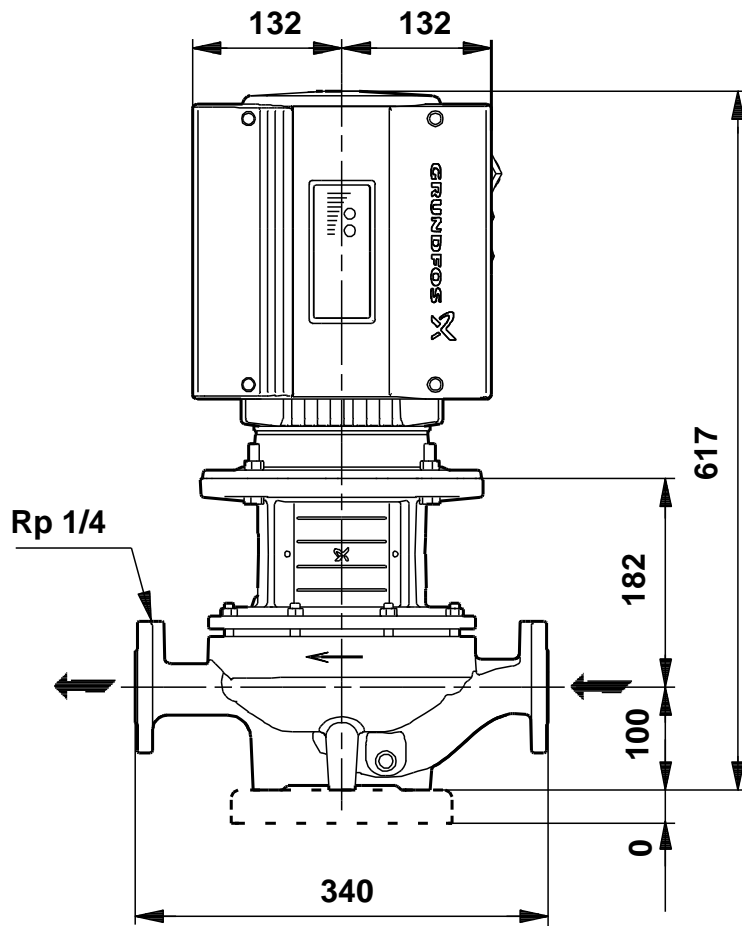
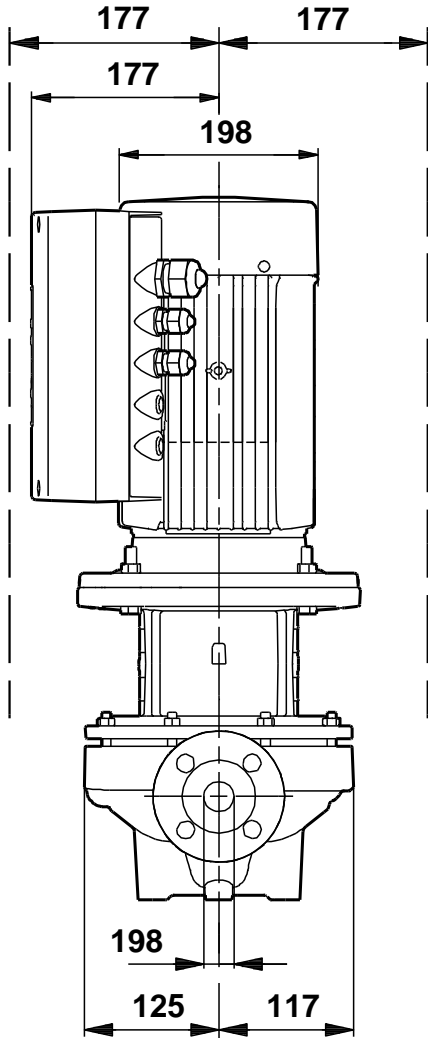


		TPE 32-380/2 A-F-A-BQQE
		96096293
EAN		5700395795981
		2910 /
		18.9 ^{3/}
		31.38
		380
		169
		BQQE
		ISO9906:2012 3B
		A
	c	EN-JL1040 A48-40 B
		EN-DIN: EN-JL1030
		AISI/ASTM: A48-30 B
		A
		-20 .. 40 °C
		16
		DIN
		DN 32
		PN 16
		340
		F
		-25 .. 120 °C
		20 °C
		998.2 / ³
		100LC
		IE3
	- P2:	3
		50 Hz
		3 x 380-480
		6.20-5.00 A
Cos		0.94-0.92
		360-3490 /
		IE3 87,1%
		87.1 %
		2
	(IEC 34-5):	IP55
	(IEC 85):	F
		87761013
MEI		0.70

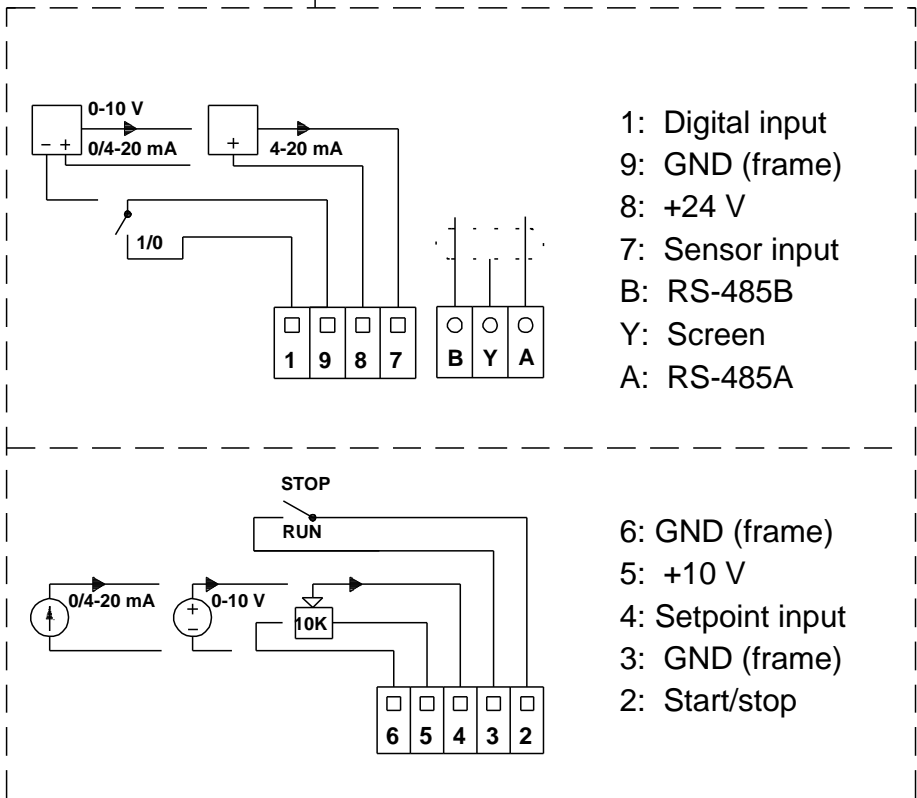
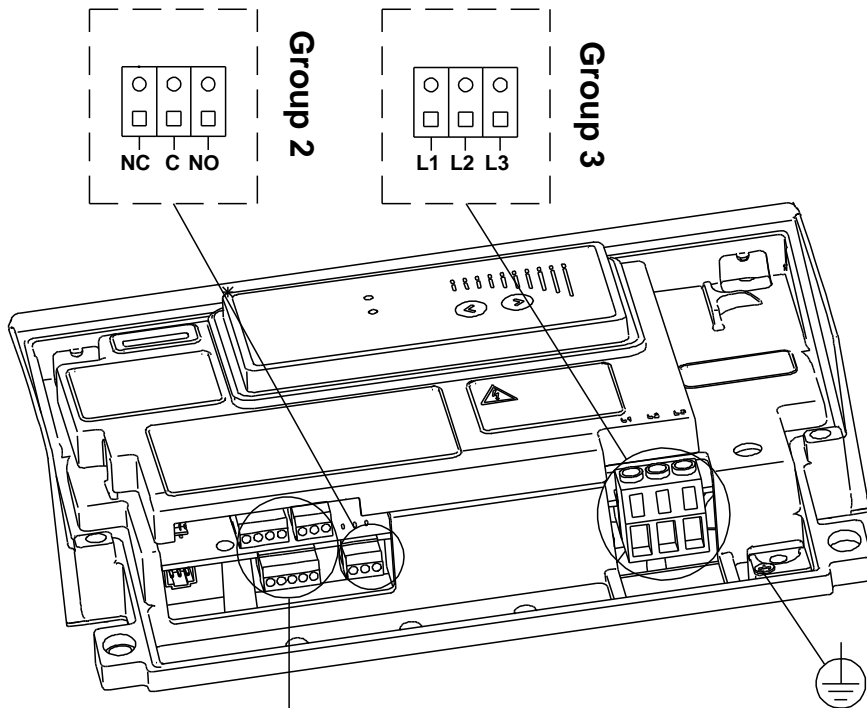


():	65
():	79
:	0.39 ³
Danish VVS No.:	382011380

96096293 TPE 32-380/2 A-F-A-BQQE 50



96096293 TPE 32-380/2 A-F-A-BQQE 50



- 1: Digital input
- 9: GND (frame)
- 8: +24 V
- 7: Sensor input
- B: RS-485B
- Y: Screen
- A: RS-485A

- 6: GND (frame)
- 5: +10 V
- 4: Setpoint input
- 3: GND (frame)
- 2: Start/stop

Group 1