

1 Unilift AP12.50.11.A1



: 96010981

1-
F.

():

12

10

: 0 .. 55 °C
998.2 / ³

: 12

DIN W.-Nr. 1.4301
AISI 304

DIN W.-Nr. 1.4301
AISI 304

Rp 2
: 7

PSC
- P1: 1.7

50 Hz

1 x 230

8.5 A

Cos phi - : 0.92

2760 /
: 20 /400

(IEC 34-5): IP68
(IEC 85): F

10

SCHUKO

15.7

17.2

Danish VVS No.: 391313312

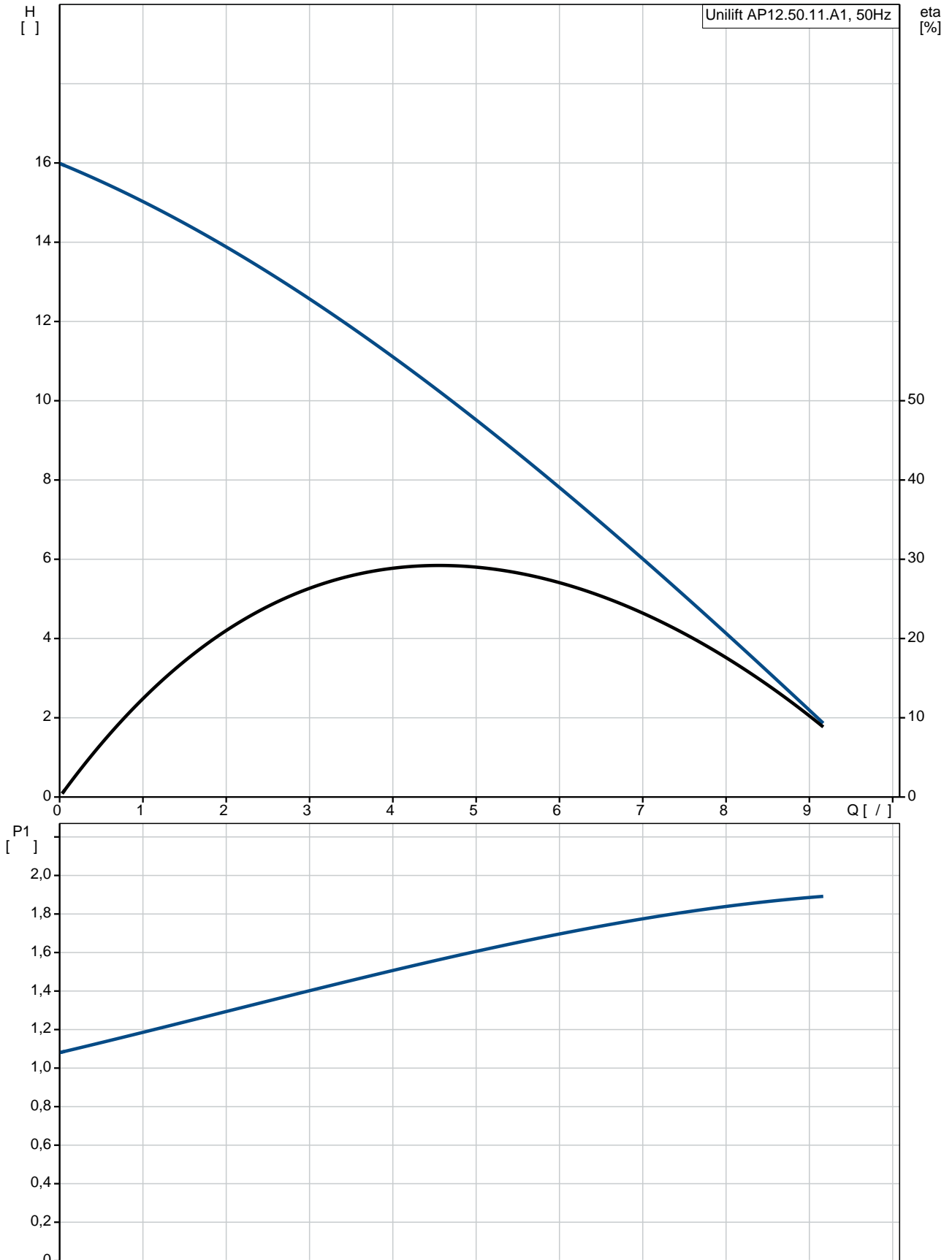
Swedish RSK No.: 5885781

Finnish LVI No.: 4822566

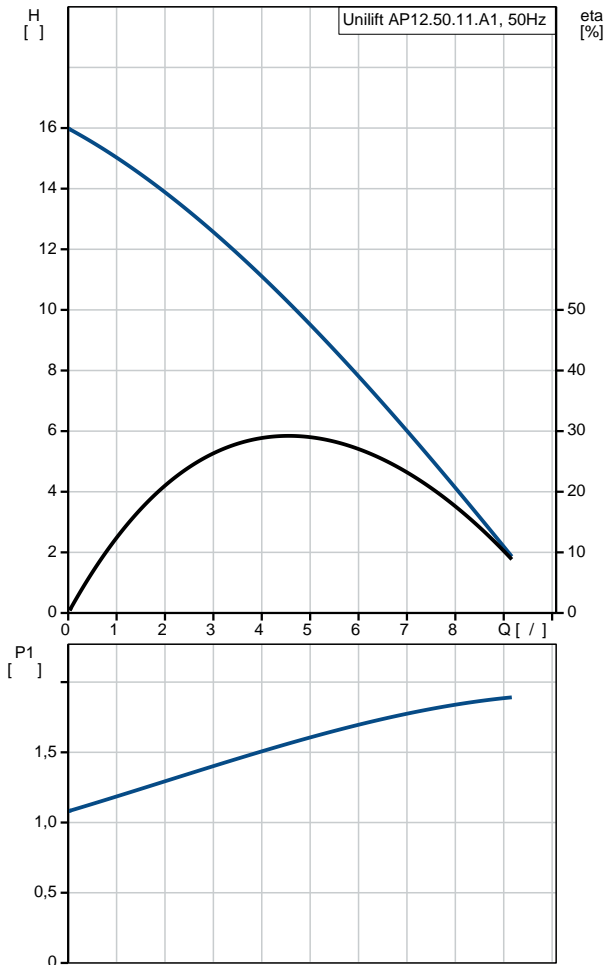
Norwegian NRF no.: 9045615

C : HU
: 8413702100

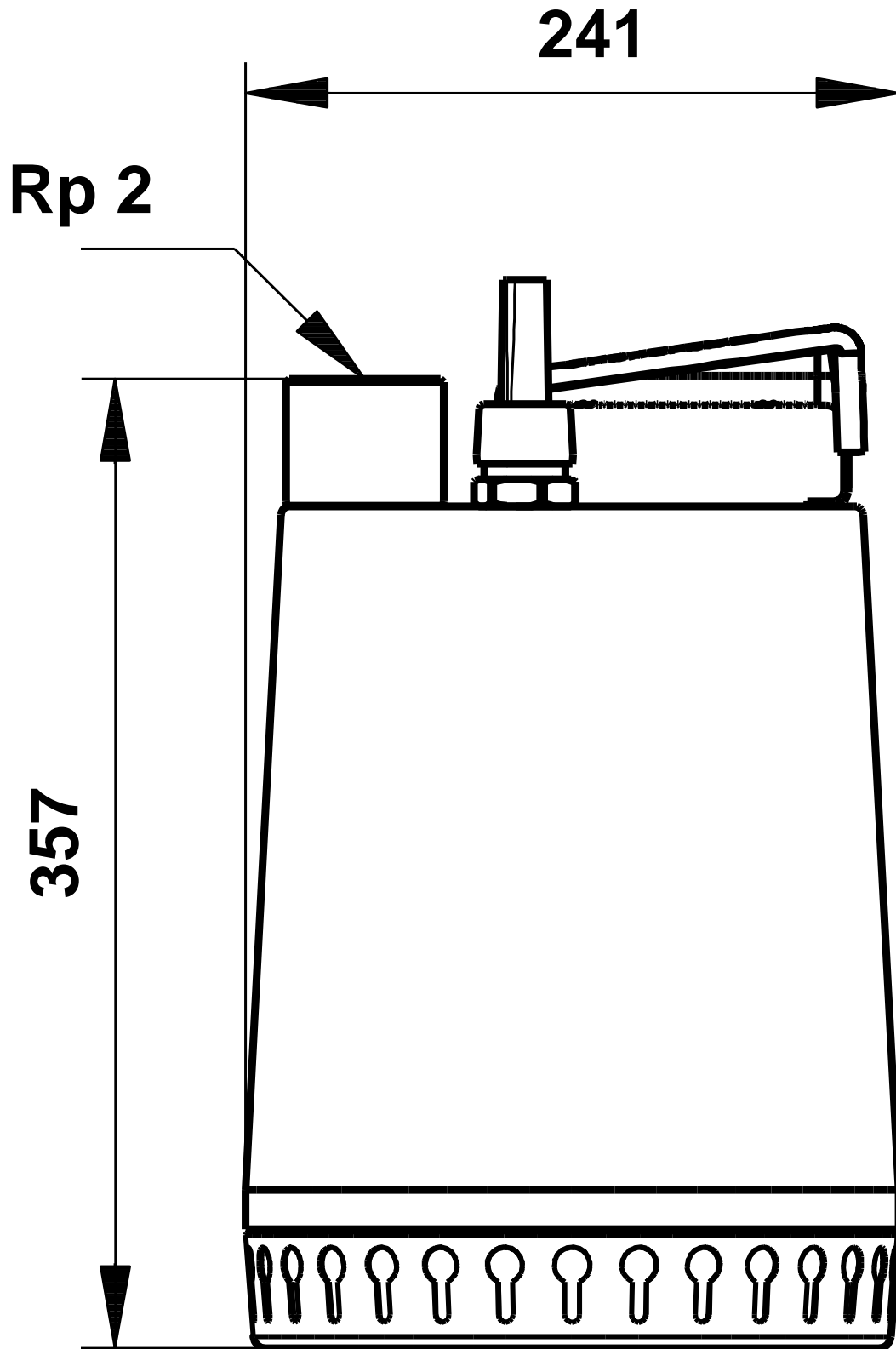
96010981 Unilift AP12.50.11.A1 50



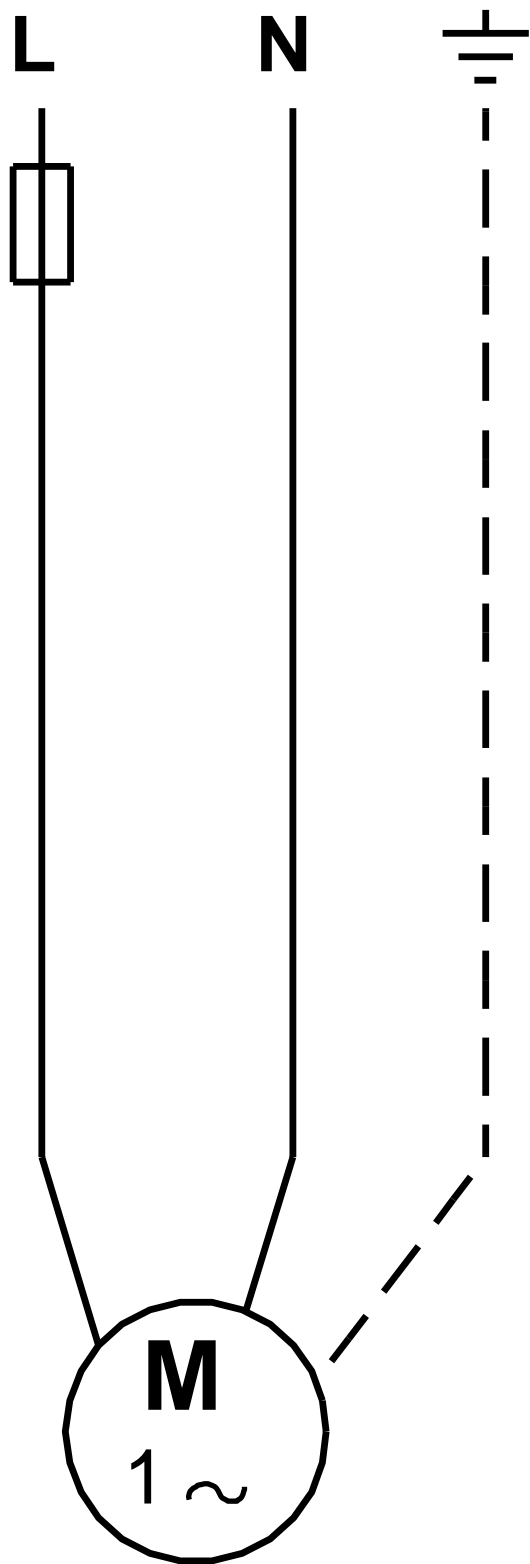
| | |
|----------------------------|---------------|
| : Unilift AP12.50.11.A1 | |
| : 96010981 | |
| EAN : | 5700390901332 |
| : UER 662 | |
| : Maximum flow: 8.33 / | |
| Ma . : | 8.33 / |
| : 17 | |
| : 12 | |
| : DIN W.-Nr. 1.4301 | |
| : AISI 304 | |
| : DIN W.-Nr. 1.4301 | |
| : AISI 304 | |
| : Rp 2 | |
| : 7 | |
| / : D/S | |
| : 0 .. 55 °C | |
| : 998.2 / ³ | |
| : PSC | |
| - P1: 1.7 | |
| P2: | 1.1 |
| : 50 Hz | |
| : 1 x 230 | |
| : 8.5 A | |
| Cos phi - | : 0.92 |
| : 2760 / | |
| - : 20 /400 | |
| (IEC 34-5): IP68 | |
| (IEC 85): F | |
| : CONTACT | |
| : 10 | |
| : SCHUKO | |
| : 15.7 | |
| : 17.2 | |
| Danish VVS No.: | 391313312 |
| Swedish RSK No.: | 5885781 |
| Finnish LVI No.: | 4822566 |
| Norwegian NRF no.: | 9045615 |
| C : | HU |
| : 8413702100 | |



96010981 Unilift AP12.50.11.A1 50



96010981 Unilift AP12.50.11.A1 50



! [], .