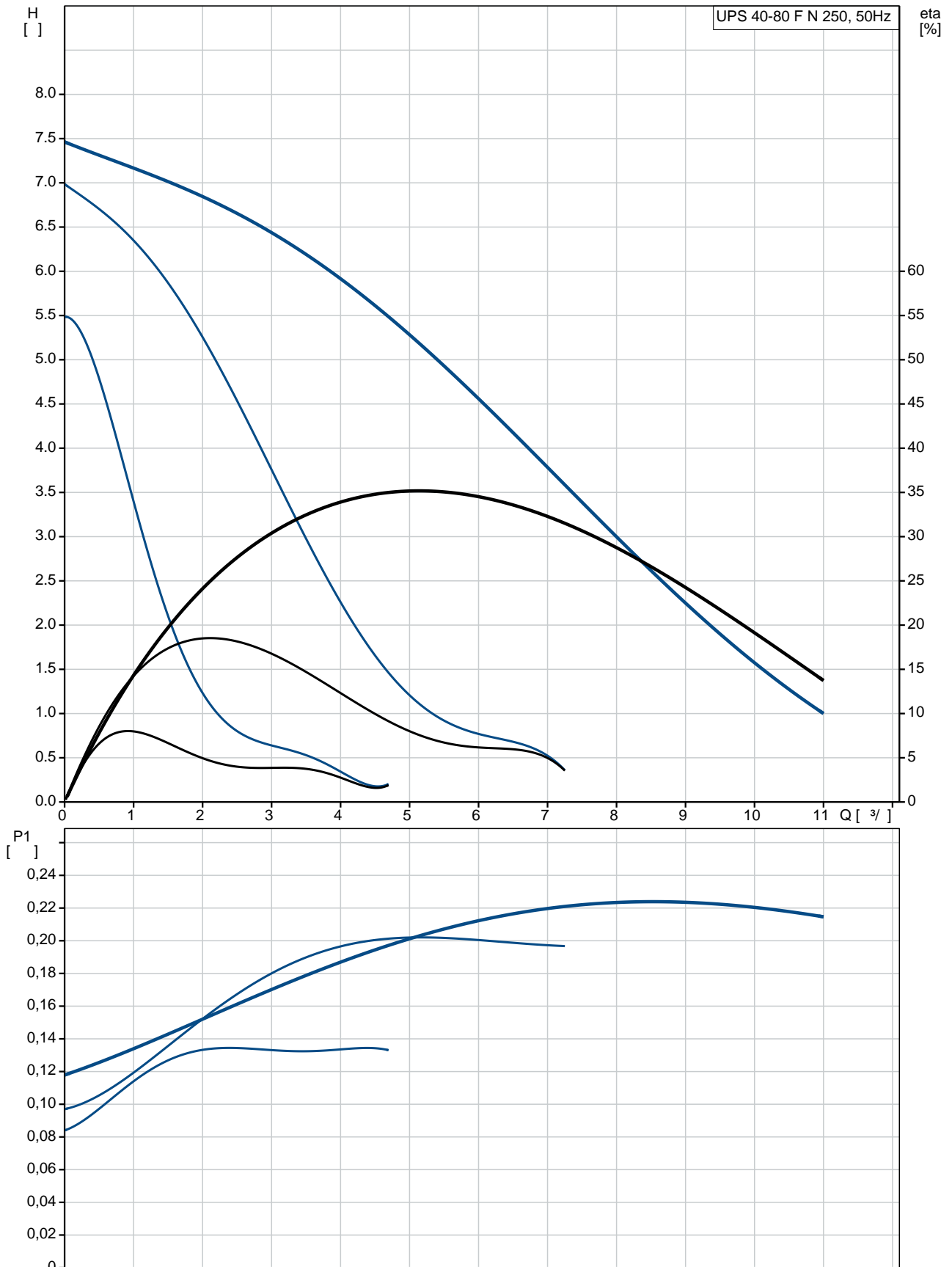
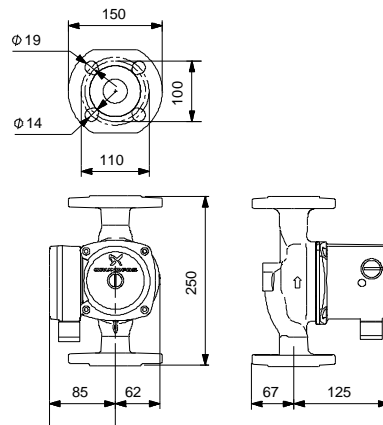
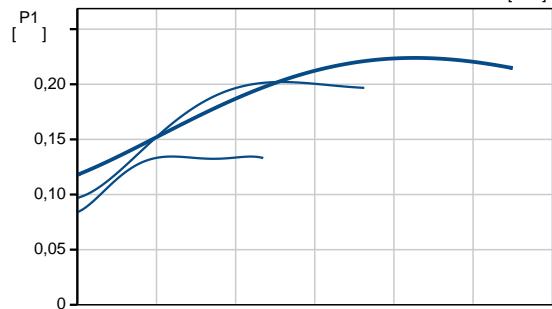
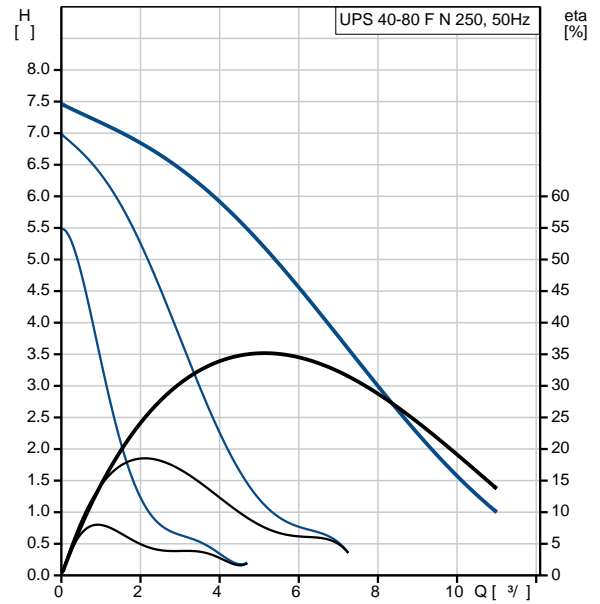


: 220
: 50 Hz
: 1 x 230
1: 0.6 A
2: 0.9 A
3: 0.98 A
- : 4
(IEC 34-5): X2D
(IEC 85): F
:
: 8.1
: 8.5
: 0.011 ³

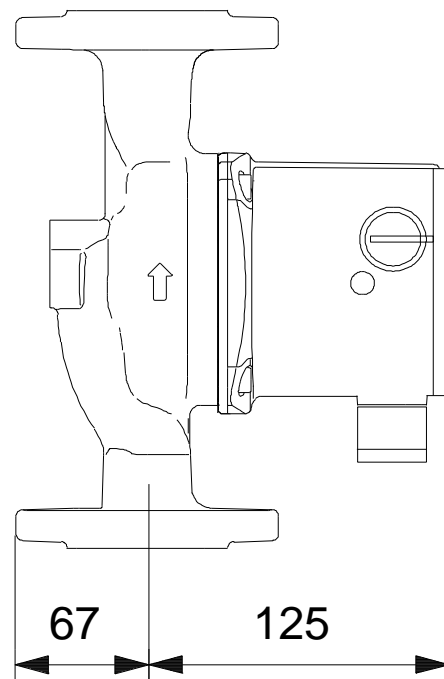
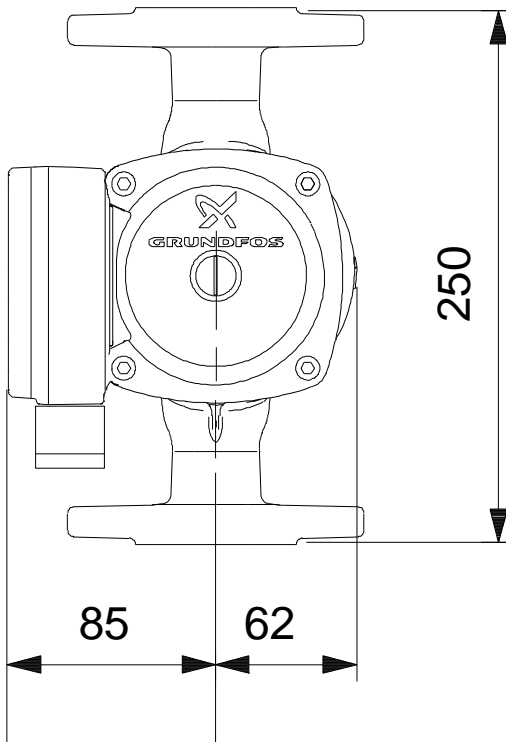
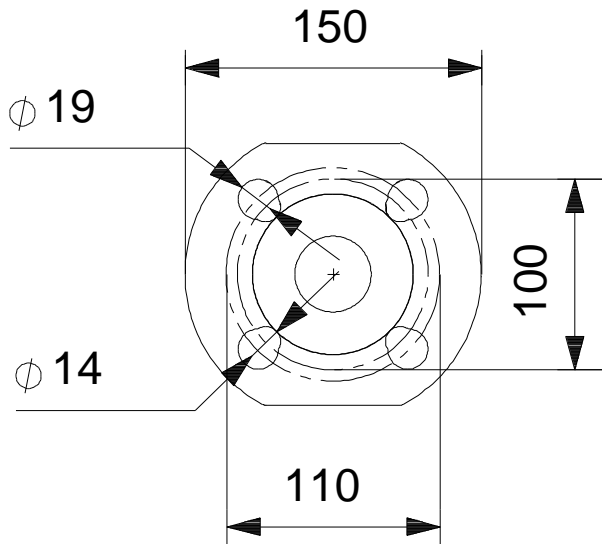
95906753 UPS 40-80 F N 250 50



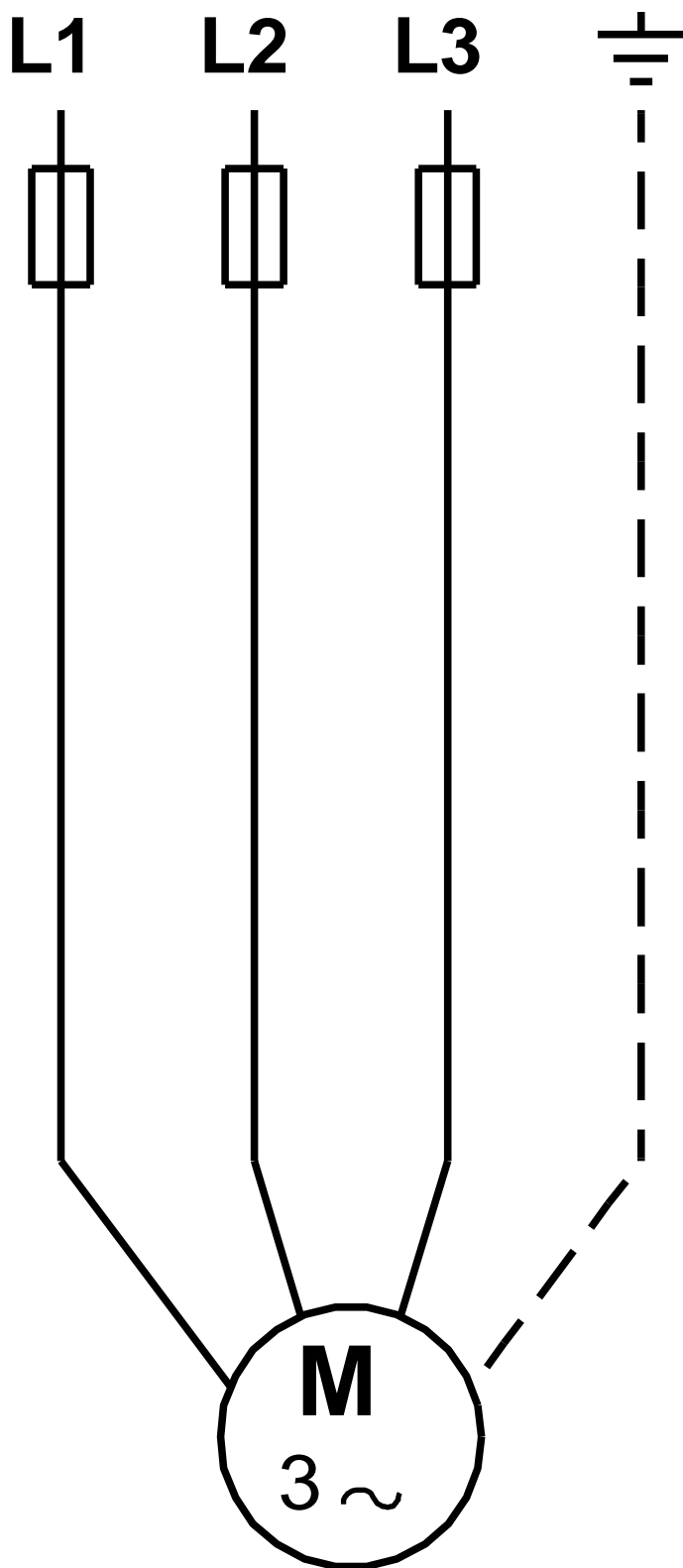
		UPS 40-80 F N 250
		95906753
EAN		5700317140110
		3
		80
TF		110
		CE,EAC,WEEE
		DIN W.-Nr. 1.4301
		, PES/PP
		40 °C
80 OC:		10
		DIN
		DN 40
		PN 6 / PN 10
		250
		-25 .. 110 °C
		60 °C
		983.2 / ³
		1: 135
		2: 200
		220
		50 Hz
		1 x 230
	1:	0.6 A
	2:	0.9 A
	3:	0.98 A
		4
	(IEC 34-5):	X2D
	(IEC 85):	F
		CONTACT
		9H
		8.1
		8.5
		0.011 ³



95906753 UPS 40-80 F N 250 50



95906753 UPS 40-80 F N 250 50



!

[],