

1 UPSD 32-100 F 220



: 95906484

*
*
*
*

3-

, PES/PP.

: -25 .. 110 °C
: 60 °C
983.2 / 3

TF : 110
: EAC

EN-JL1030
ASTM 30 B
, PES/PP

.T : - 80 0C: 40 °C

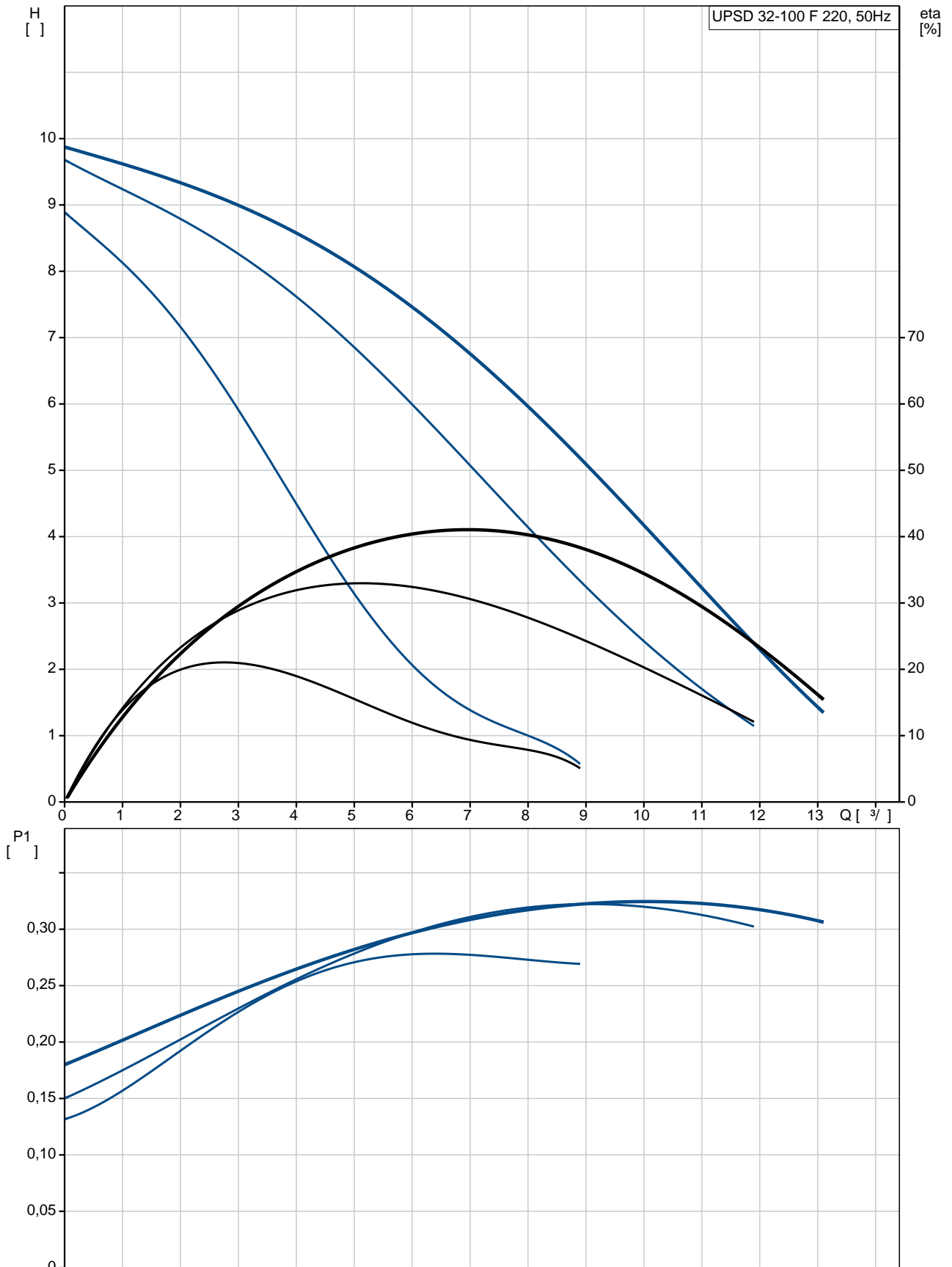
: 10
: DIN
: DN 32
: PN 10
: 220

1: 280
2: 340

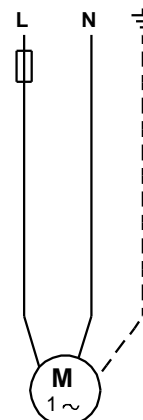
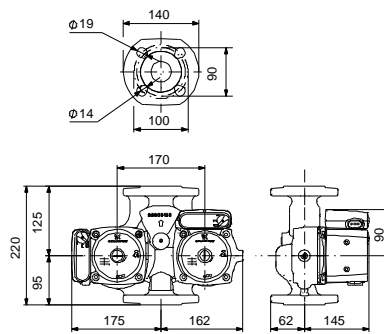
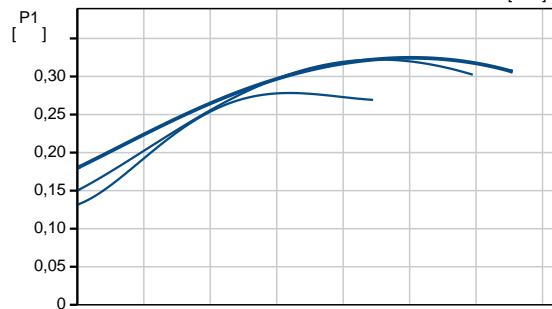
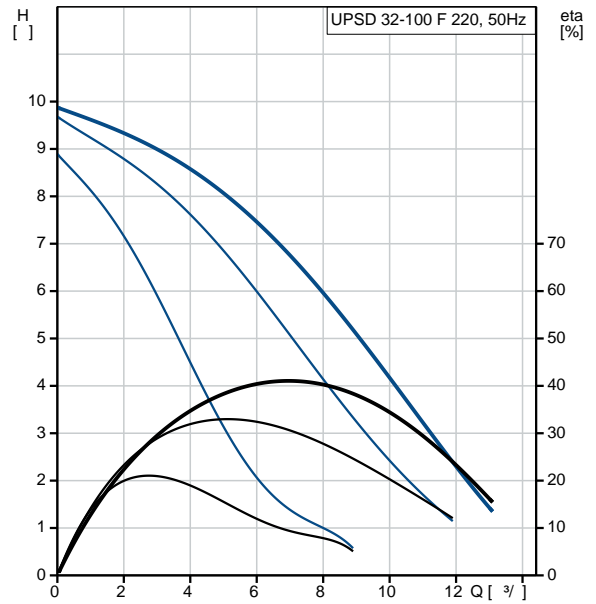
: 345
: 50 Hz
: 1 x 230
1: 1.3 A

2: 1.5 A
3: 1.52 A
- : 9.5
(IEC 34-5): X4D
(IEC 85): H
:
:
:
:
C : 17.5
: 18.4
: 0.03 ³
: DE
: 8413703000

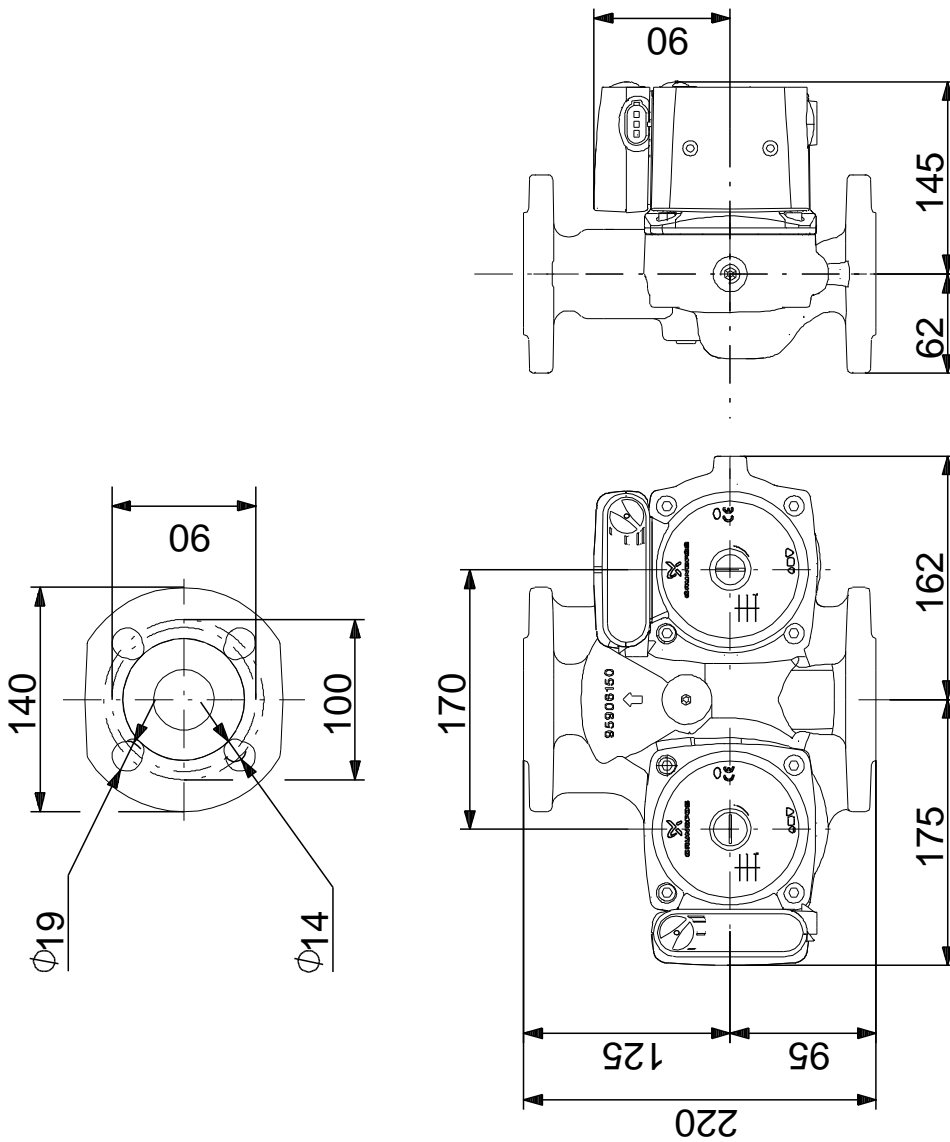
95906484 UPSD 32-100 F 220 50



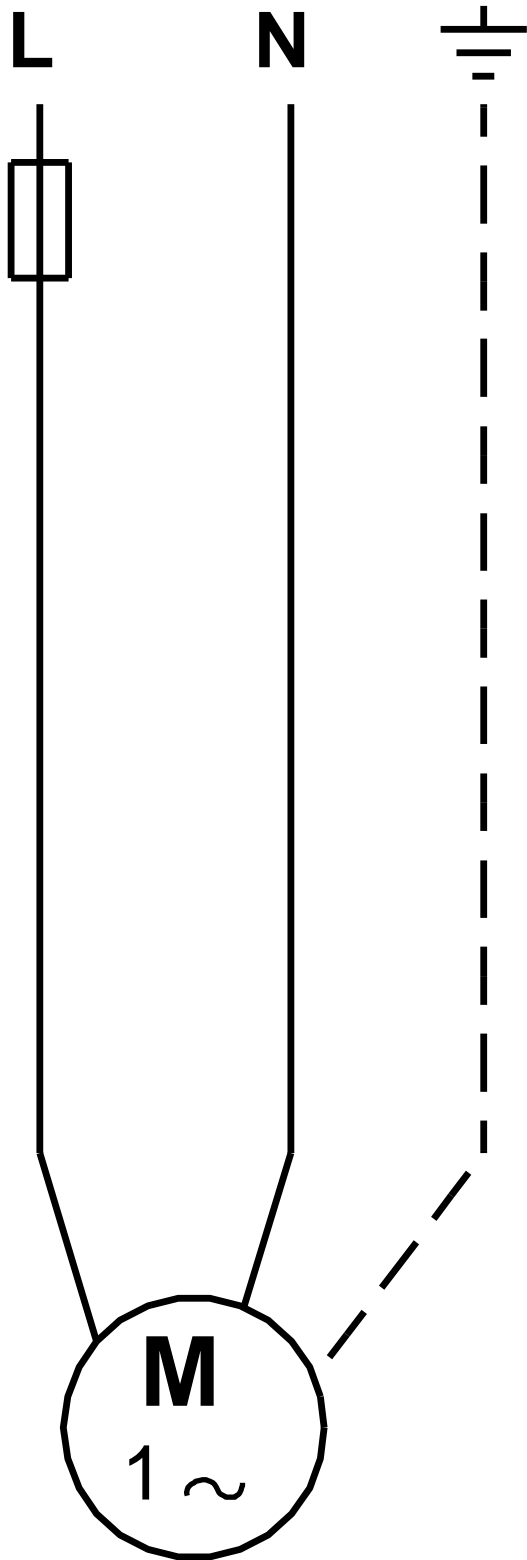
| | |
|-------------|-------------------|
| | UPSD 32-100 F 220 |
| | 95906484 |
| EAN | 5700311290316 |
| | 3 |
| | 100 |
| TF | 110 |
| | EAC |
| | EN-JL1030 |
| | ASTM 30 B |
| | , PES/PP |
| | 40 °C |
| 80 OC: | 10 |
| | DIN |
| | DN 32 |
| | PN 10 |
| | 220 |
| | -25 .. 110 °C |
| | 60 °C |
| | 983.2 / 3 |
| | 1: 280 |
| | 2: 340 |
| | 345 |
| | 50 Hz |
| | 1 x 230 |
| | 1: 1.3 A |
| | 2: 1.5 A |
| | 3: 1.52 A |
| | 9.5 |
| (IEC 34-5): | X4D |
| (IEC 85): | H |
| | CONTACT |
| | 12H |
| | 17.5 |
| | 18.4 |
| | 0.03 3 |
| C | DE |
| | 8413703000 |



95906484 UPSD 32-100 F 220 50



95906484 UPSD 32-100 F 220 50



! [], .